


RHTEEN

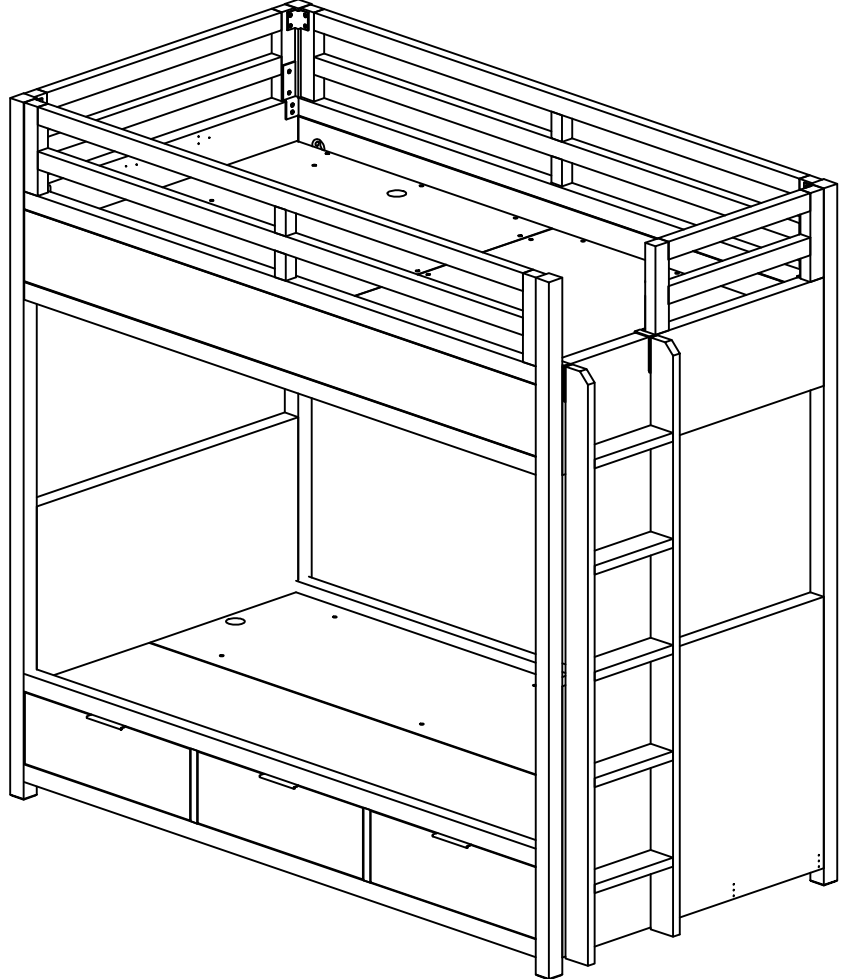
LAGUNA BUNK BED - TWIN OVER TWIN INSTRUCTIONS

Made in Vietnam
Distributed in the U.S.A. by:
Restoration Hardware Baby & Child
11640 Harrel St. Suite B
Mira Loma, CA 91752
www.rhbabyandchild.com

All Restoration Hardware Bunk Beds are designed to meet the highest safety standards and comply with all U.S. and Canadian Bunk Beds regulations.

Distributed in Canada by:
Restoration Hardware Canada, Inc.
1500-1055 West Georgia Street
Vancouver, British Columbia V6E4N7

 **WARNING:** Read all instructions before assembling this product. KEEP INSTRUCTIONS FOR FUTURE USE.



CUSTOMER SERVICE

If you are missing parts or have any questions about this product, contact us first. You can also order parts by writing to the address above. Include the product model number, color, and a brief description of the part.

Call 1-800-762-1751.

CARE AND CLEANING

DO NOT scratch or chip the finish. DO NOT use abrasive chemicals for cleaning. Dust often using a clean, soft, dry cloth. Blot spills immediately and wipe with a clean damp cloth. If the crib is to be stored, store in a cool dry place and carefully package all original hardware to protect from loss.

TOOLS AND INSTALLATION

Tools Necessary: Allen Key (included)

Wrench (included)

Screwdriver (not included)

Note: It may be easier to assemble product with two people.

NOTE: When inserting bolts, turn clockwise until tight. Then loosen $\frac{1}{2}$ - $\frac{3}{4}$ of a turn. After bunks is completely assembled, return to each bolt and tighten. Use wax or soap on all bolts to facilitate assembly.

RHTEEN

LAGUNA BUNK BED - TWIN OVER TWIN ISNTRUCTIONS

IMPORTANT SAFETY INFORMATION FOR BUNK BED

1. Follow the information on the WARNINGS appearing on the upper bunk end structure and on the carton.
2. Always use the specified size mattress, mattress support, or both to help prevent the likelihood of entrapment or falls.
3. Surface of mattress must be at least 5 inches below the upper edge of guardrails on top bunk.
4. Do not allow children under 6 years of age to use the upper bunk.
5. Prohibit more than one person on upper bunk.
6. Periodically check and ensure that the guardrails, ladder, and other components are in their proper position, free from damage, and that all connectors are tight.
7. Do not allow horseplay on or under the bed and prohibit jumping on the bed.
8. Always use the ladder for entering and leaving the upper bunk.
9. Do not use substitute parts. Contact Restoration Hardware for replacement parts.
10. Use of a night light may provide added safety precaution for a child using the upper bunk.
11. Use guardrails on both sides of the upper bunk.
12. If the bunk bed will be placed next to a wall, the guardrail that runs the full length of the bed should be placed against the wall to prevent entrapment between the bed and the wall.
13. The use of water flotation mattress is prohibited.
14. STRANGULATION HAZARD - Never attach or hang items to any part of the bunk bed that are not designed for use with the bed: for example, but not limited to, hooks, belts, and jump ropes
15. Keep these instructions for future reference.

WARNING

To help prevent serious or fatal injuries from entrapment of falls:

- Never allow a child under 6 years on upper bunk.
- Use only mattress which is 74"-75" long and 37 $\frac{1}{2}$ "-38 $\frac{1}{2}$ " wide on upper bunk.
- Ensure thickness of mattress does not exceed 6" and mattress is at least 5" below upper edge of guardrails.
- Use guardrails on both sides of upper bunk.
- Prohibit horseplay on or under bed(s).
- Prohibit more than one person on upper bunk.
- Use ladder for entering and leaving upper bunk.
- STRANGULATION HAZARD - Never attach or hang items to any part of the bunk bed that are not designed for use with the bed; for example, but not limited to, hooks, bells, and jump ropes.

DO NOT REMOVE THIS LABEL

RHTEEN

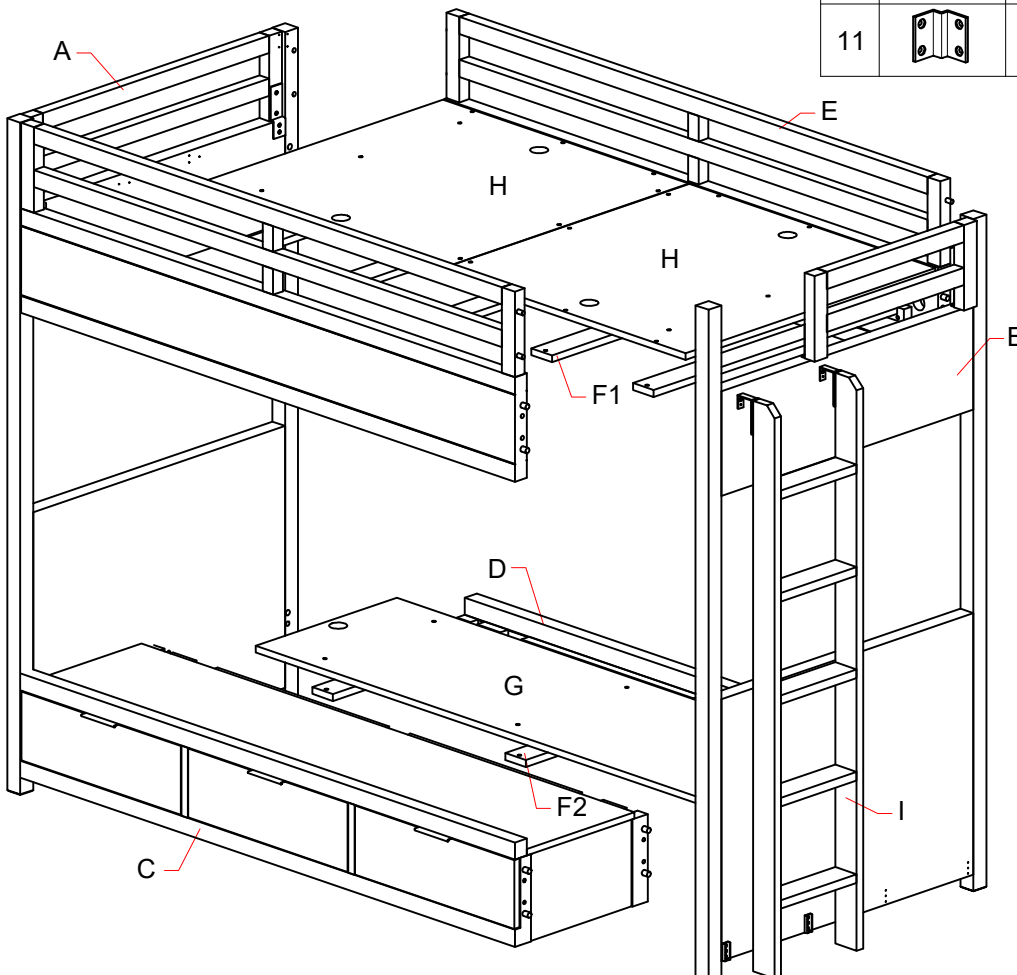
LAGUNA BUNK BED - TWIN OVER TWIN ISNTRUCTIONS

COMPONENT IDENTIFICATION AND HARDWARE

PARTS INCLUDED

- A [1] HEADBOARD
- B [1] FOOTBOARD
- C [1] STORAGE
- D [1] LOWER SIDE RAIL
- E [2] UPPER SIDE RAILS
- F1 [3] BED SLATS (LONG)
- F2 [3] BED SLATS (SHORT)
- G [1] LOWER PLATFORM PANEL
- H [2] UPPER PLATFORM PANELS
- I [1] LADDER

NO.	ITEM	DESCRIPTION	QTY.
1		Threaded Rod	12 pcs.
2		Curved Washer	12 pcs.
3		Lock Washer	20 pcs.
4		Hex Nut	12 pcs.
5		Wrench	1 pc.
6		Allen Bolt (M8 x 40mm)	8 pcs.
7		Plain Washer	8 pcs.
8		Allen Key	1 pc.
9		Round Head Screw (M4x25mm)	46 pcs.
10		Flat Head Phillips Screw (M4x20mm)	14 pcs.
11		Metal bracket	3 pcs.



RHTEEN

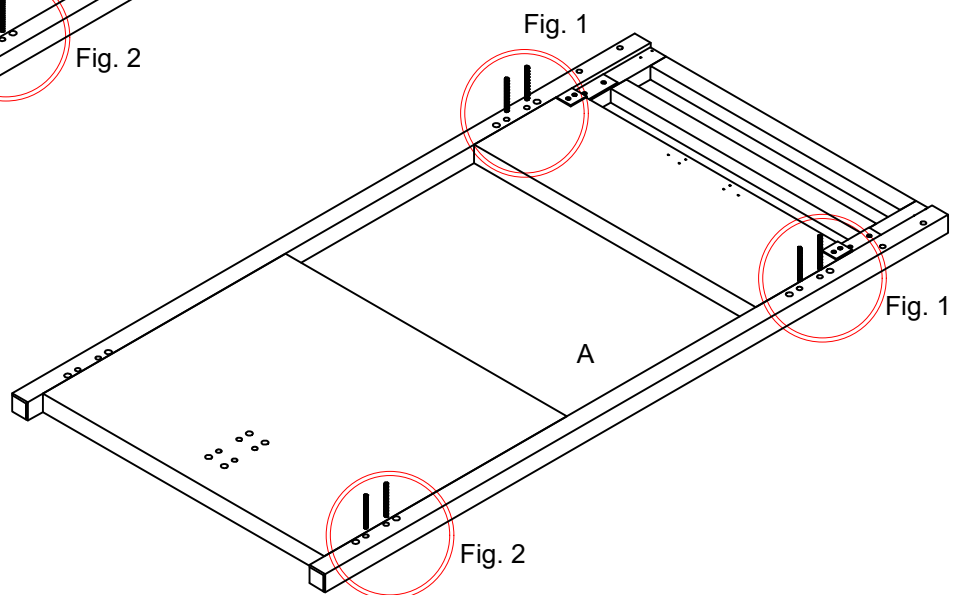
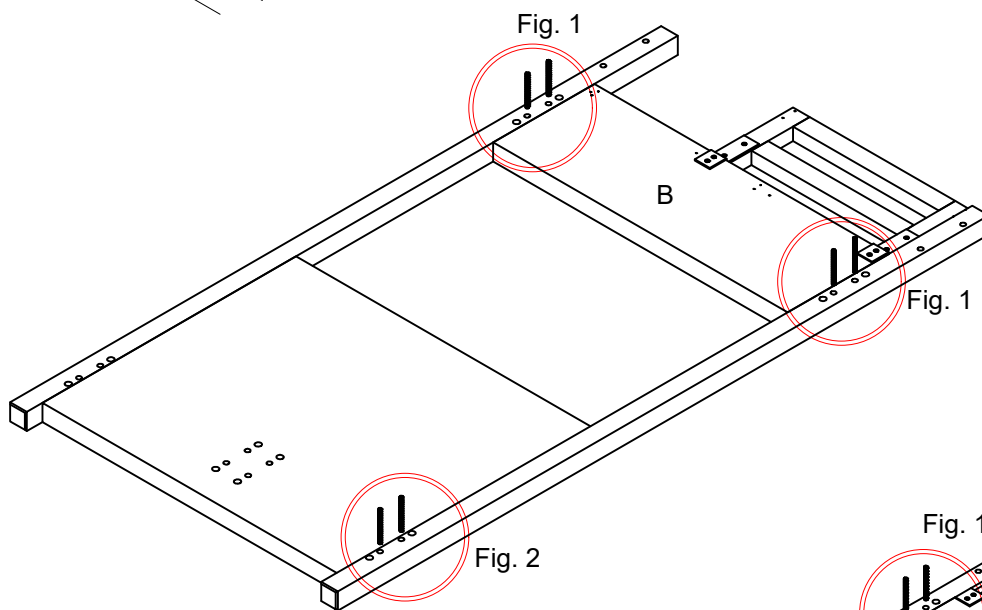
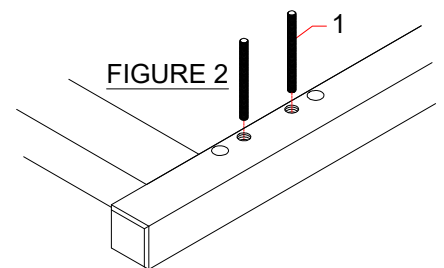
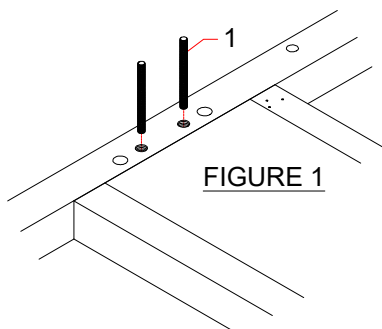
LAGUNA BUNK BED - TWIN OVER TWIN ISNTRUCTIONS

IMPORTANT

These bed parts can be cumbersome and heavy, therefore the assistance of two or more people is recommended in order to prevent personal injury and ensure the bed parts are not damaged during the assembly process.

ASSEMBLY INSTRUCTIONS:

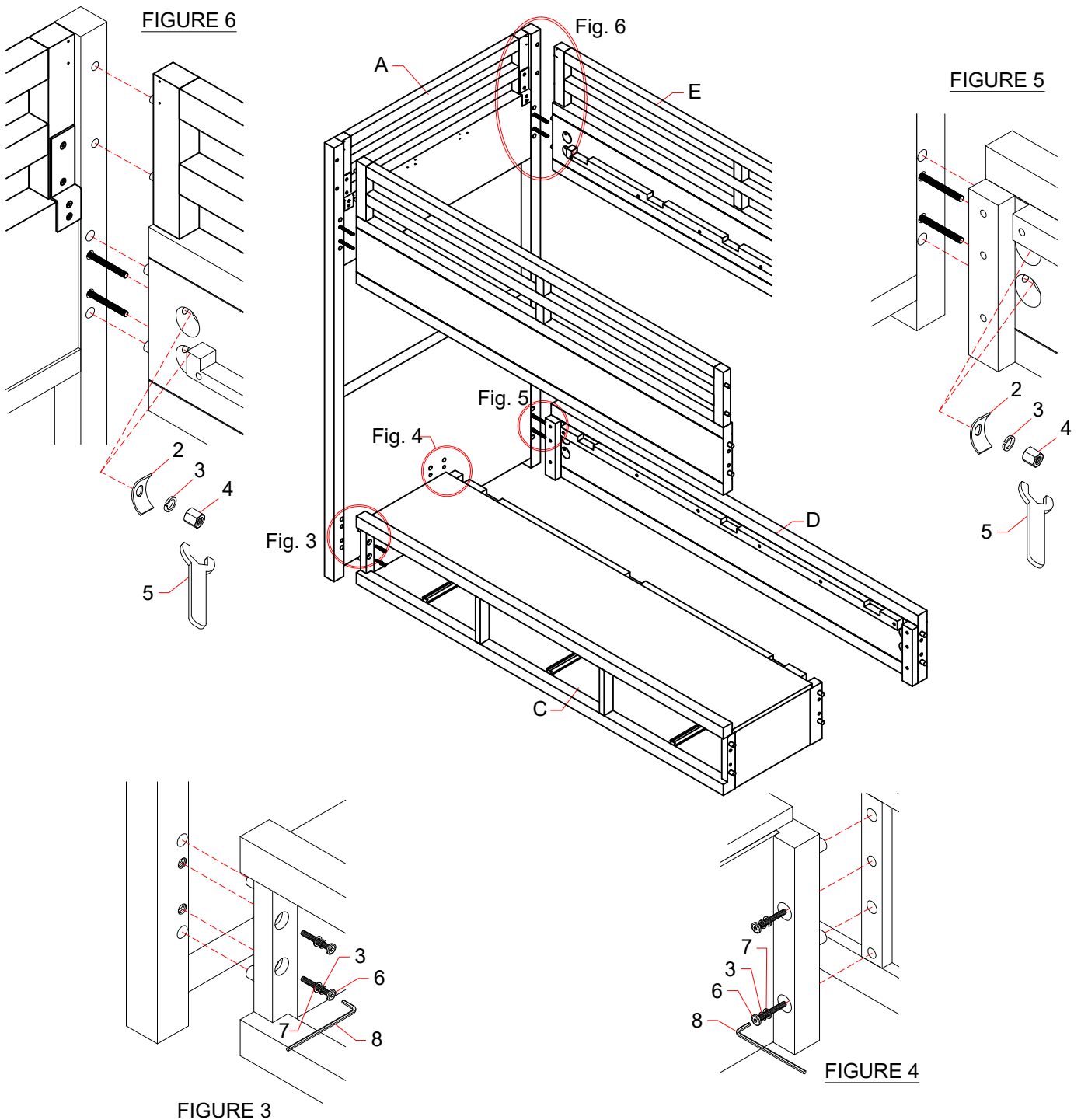
1. Lay the headboard (A) and the footboard (B) on a flat surface.
2. Attach the threaded rods (1) into the fixed nuts in the post of the headboard/footboard by turning them manually. See FIGURE 1 and FIGURE 2.



RHTEEN

LAGUNA BUNK BED - TWIN OVER TWIN ISNTRUCTIONS

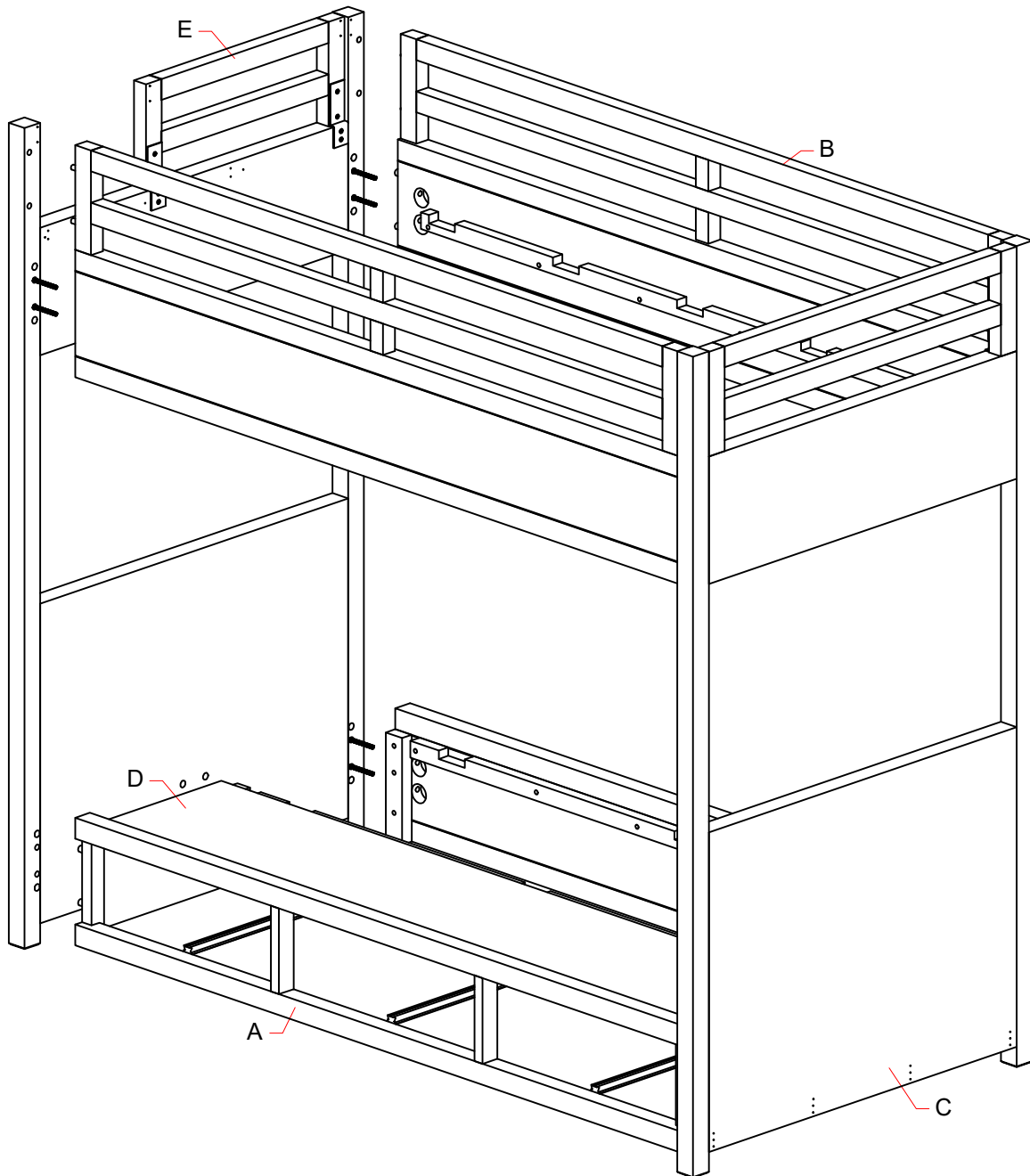
3. Fully remove all the drawers out of the storage (C). Attach the storage to the headboard (A), as per illustration in FIGURE 3, FIGURE 4.
4. Attach the lower side rail (D) to the headboard as per illustration in FIGURE 5.
NOTE: Side panel is exchangeable for ladder placement on either side.
5. Bring the upper side rail (E) in upright position and align the threaded rods on the headboard to the corresponding holes in the end of the upper side rail. Attach the upper side rail to the headboard, as in FIGURE 6. **KEEP HOLDING THIS SIDE RAIL DURING NEXT STEP.**
6. Repeat step 5 to attach the other upper side rail to the headboard. **KEEP HOLDING BOTH UPPER SIDE RAILS DURING NEXT STEP.**



RHTEEN

LAGUNA BUNK BED - TWIN OVER TWIN ISNTRUCTIONS

- Align the threaded rods on the footboard (B) to the corresponding holes at the end of the storage (C), lower side rail (D) and upper side rails (E). Align the locator pins on the end of the storage and the side rails to the corresponding holes in the footboard. Insert the footboard into the storage and the side rails.
- Repeat step 3, 4, 5 and 6 to attach the storage and the side rails to the footboard.



RHTEEN

LAGUNA BUNK BED - TWIN OVER TWIN ISNTRUCTIONS

9. Attach the Metal bracket (11) into the side rails and guardrails. Insert screw (10) provided to pass through hole on metal bracket (11) to the pre-drill hole on the side rails and guardrail. Refer to FIGURE 7.

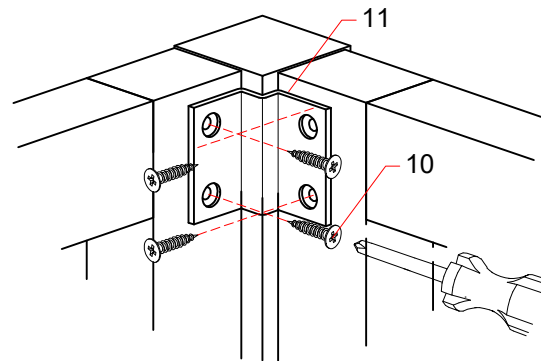
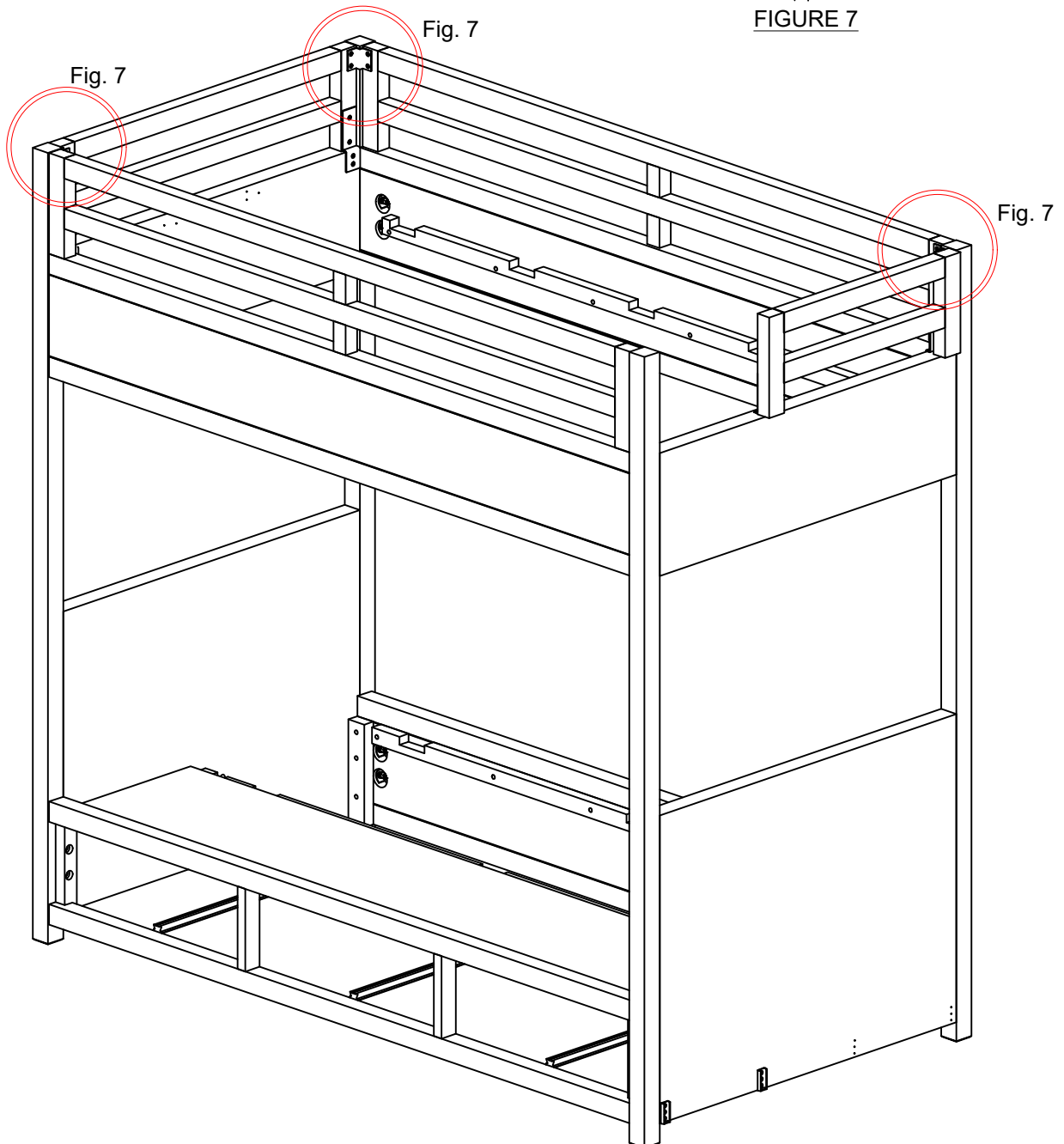


FIGURE 7



RHTEEN

LAGUNA BUNK BED - TWIN OVER TWIN ISNTRUCTIONS

10. Set the bed slats (F1, F2) on the upper bunk and lower bunk. Secure each slat by using screws (9) provided. See FIGURE 8.
11. Place the platform panels (G, H) on the lower bunk and the upper bunk, then fix them with screws (9). See FIGURE 9.

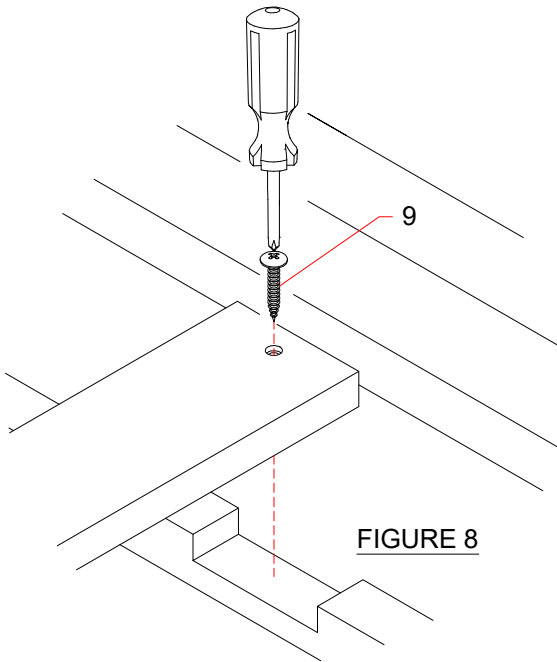


FIGURE 8

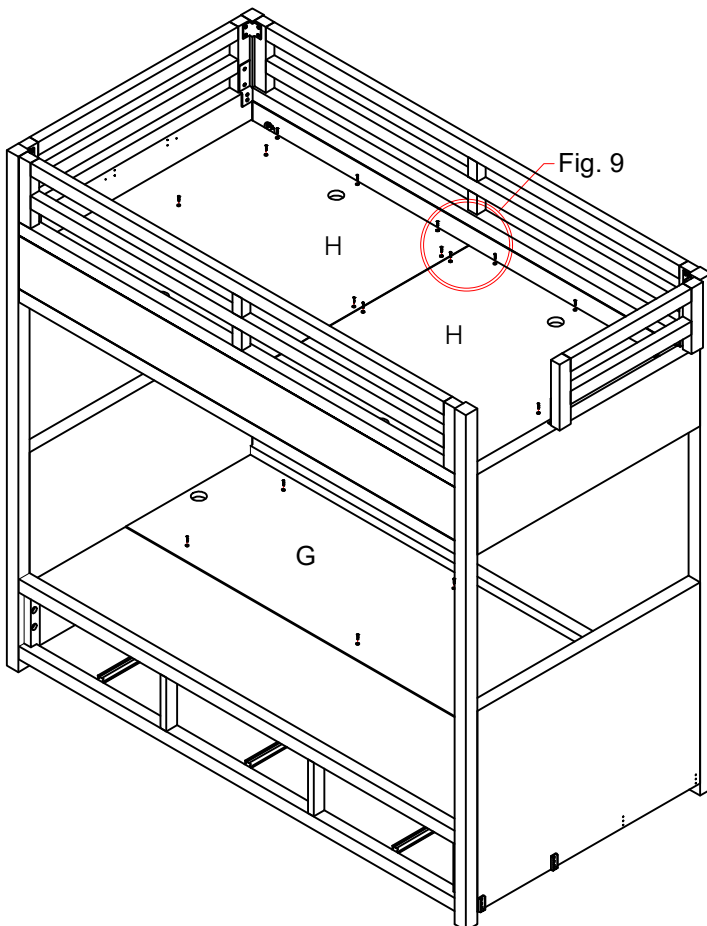
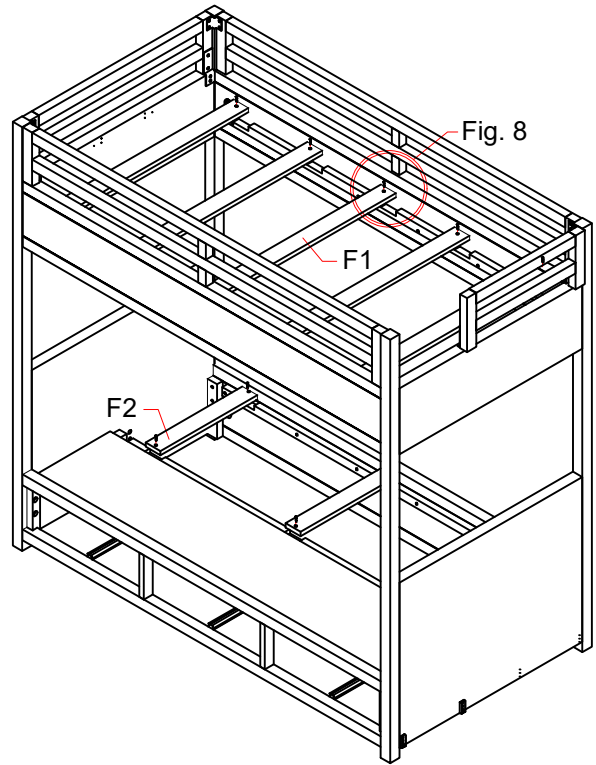
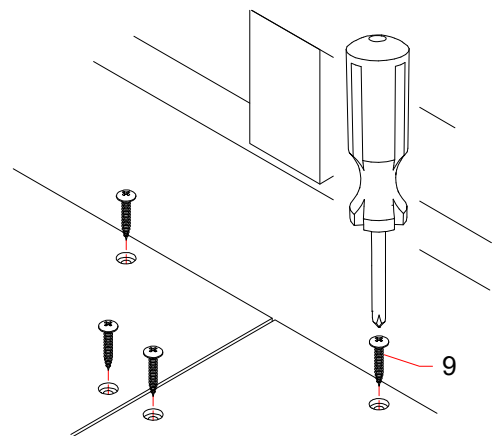


FIGURE 9



RHTEEN

LAGUNA BUNK BED - TWIN OVER TWIN ISNTRUCTIONS

NOTE: For the default setting, the ladder will be attached on the right side of the footboard (so the guard rail is pre-attached on the left side of the footboard). If you want to attach the ladder on the left side please unscrew and move the guard rail to right side of the footboard. Re-install the screws and metal bracket to secure the guard rail. See illustration in FIGURE 10 and FIGURE 11.

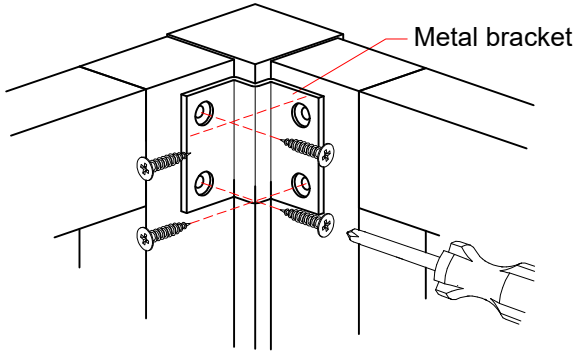


FIGURE 10

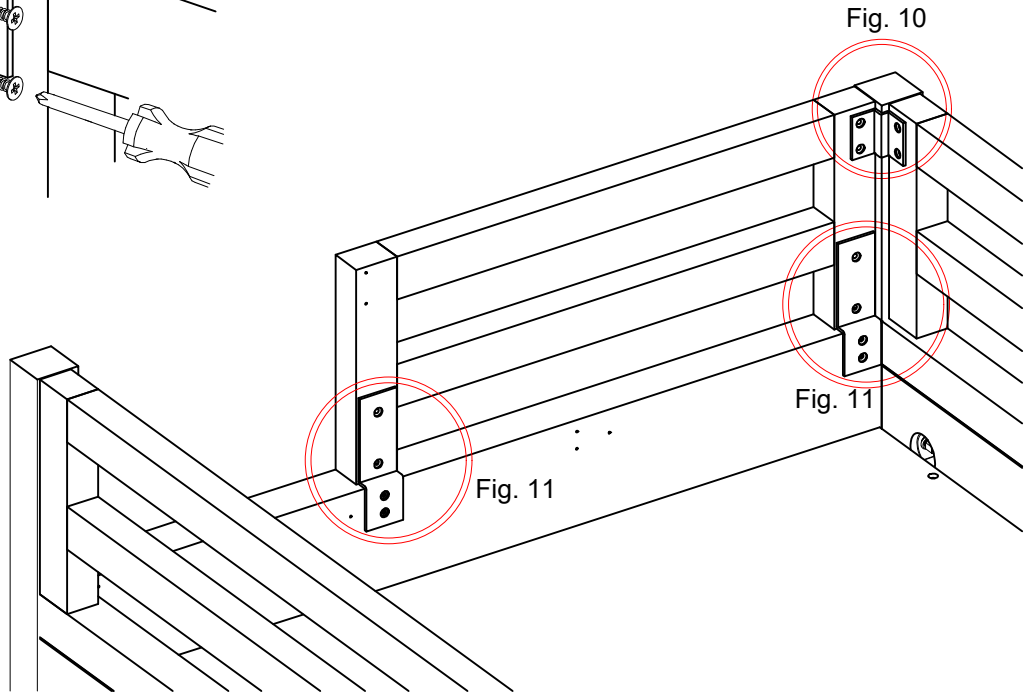
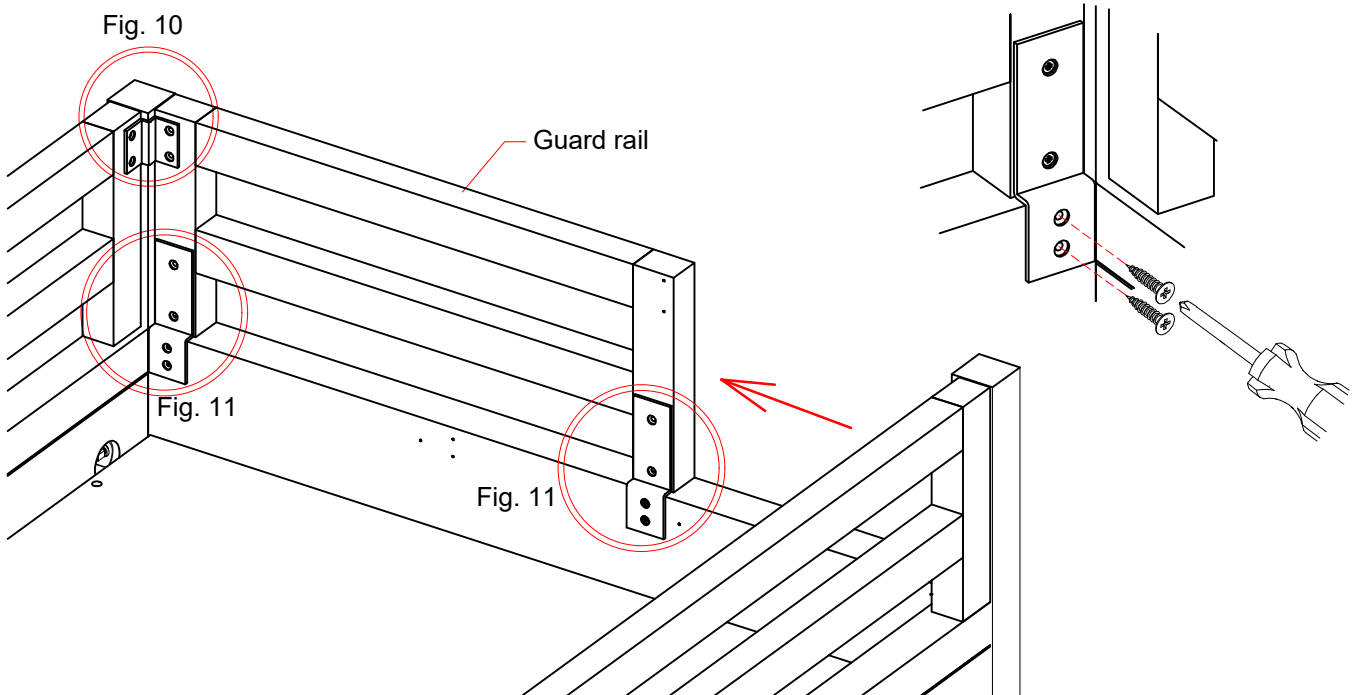


FIGURE 11



RHTEEN

LAGUNA BUNK BED - TWIN OVER TWIN ISNTRUCTIONS

- Hook the ladder (l) on the footboard simultaneously align the metal concealed bracket male on the ladder with the female bracket on the footboard, Use screw (10) provided to fix the top of ladder with footboard. as per illustration in FIGURE 12 and FIGURE 13.
- For other optional ladder. Reverse the guard rail on the headboard and footboard then repeat step on PAGE 9 for re-install. Then loosen the screw on metal female concealed bracket and then move and re-install to new position with hole pre-drilled. See FIGURE 14. Repeat step 12 to attach the ladder to the bed.
- Return the drawers to the storage. Assembly is complete.

