

# RHTEEN

**All Restoration Hardware  
bunk beds are designed to  
meet the highest safety  
standards and comply with  
all U.S. and Canadian Bunk  
Bed regulations.**

## Assembly Instructions Callum Storage Full Bunk

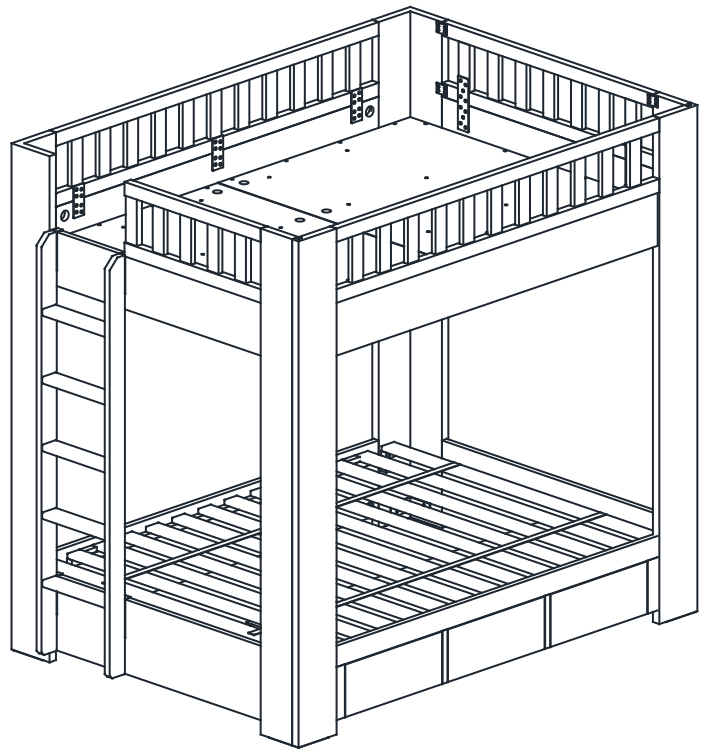
# RHTEEN

Restoration Hardware Baby & Child  
11640 Harrel St, Suite B Mira Loma CA 91752  
rhhbabyandchild.com  
Made in Vietnam

Distributed in the U.S.A by:  
Restoration Hardware  
11640 Harrel St, Suite B Mira Loma  
CA 91752  
rhhbabyandchild.com

Model No:  
#355-79 Callum Storage Full Bunk

Distributed in Canada by:  
Restoration Hardware Canada Inc.  
1500-1055 West Georgia Street,  
Vancouver, British Columbia V6E  
4N7



### **WARNING:**

Read all Instructions before  
assembling this product **KEEP  
INSTRUCTIONS FOR FUTURE  
USE.**

### **CUSTOMER SERVICE.**

If you are missing parts or have any questions about this product, contact us first. You can also order parts by writing to the address above. Include the product model number, color, and a brief description of the part. Call 1-800-762-1751.

### **CARE AND CLEANING**

DO NOT use abrasive chemicals for cleaning. Dust often using a clean, soft dry cloth. Rinse and dry thoroughly. If the Bunk bed is to be stored, store in a cool dry place and carefully package all original hardware to protect from loss.

**IMPORTANT SAFETY INFORMATION FOR BUNK BED:**

1. Follow the information on the WARNINGS appearing on the upper bunk end structure and on the carton. DO NOT REMOVE WARNING LABEL FROM BED.
2. Always use the specified size mattress or mattress support, or both to help prevent the likelihood of entrapment or falls.
3. Surface of mattress must be at least 5 inches below the upper edge of guardrails on top bunk.
4. Do not allow children under 6 years of age to use the upper bunk.
5. Prohibit more than one person on upper bunk.
6. Periodically check and ensure that the guardrails, ladder, and other components are in their proper position, free from damage, and that all connectors are tight.
7. Do not allow horseplay on or under the bed and prohibit jumping on the bed.
8. Always use the ladder for entering and leaving the upper bunk.
9. Do not use substitute parts. Contact Restoration Hardware for replacement parts
10. Use of a night light may provide added safety precaution for a child using the upper bunk.
11. Use guardrails on both sides of the upper bunk.
12. If the bunk bed will be placed next to a wall, the guardrail that runs the full length of the bed should be placed against the wall to prevent entrapment between the bed and the wall.
13. The use of water flotation mattresses is prohibited.
14. STRANGULATION HAZARD - Never attach or hang items to any part of the bunk bed that are not designed for use with the bed: for example, but not limited to, hooks, belts, and jump ropes.
15. Keep these instructions for future reference.



## WARNING

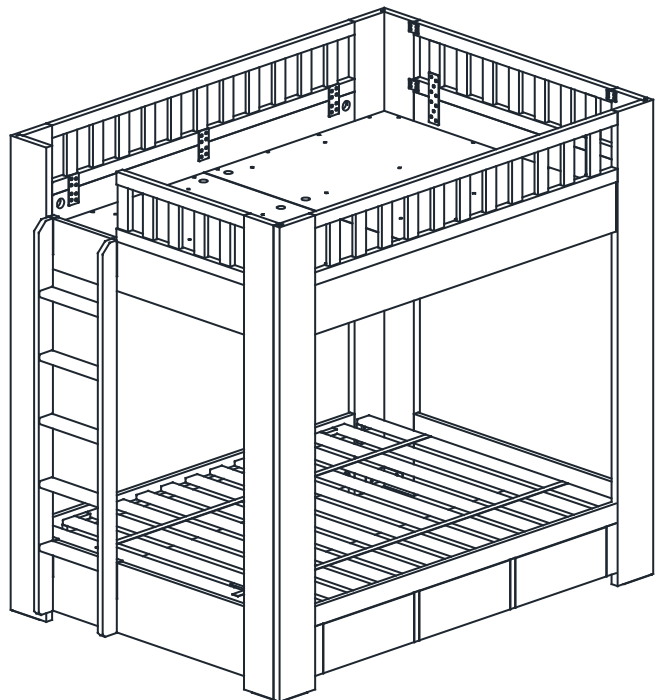
**TO HELP PREVENT SERIOUS OR FATAL INJURIES FROM ENTRAPMENT OR FALLS**

1. Never allow a child under 6 years on upper bunk.
2. Use only mattress, which is 74"-75" long and 53 1/2"-54 1/2" wide on upper bunk.
3. Ensure thickness of mattress does not exceed 9" and mattress surface is at least 5 inches below upper edge of guardrails.
4. Use guardrails on both sides of upper bunk.
5. Prohibit horseplay on or under bed(s).
6. Prohibit more than one person on upper bunk.
7. Use ladder for entering and leaving upper bunk.
8. If the bunk bed will be placed next to a wall the guardrails that run the full length of the bed should be placed against the wall to prevent entrapment between the bed and the wall.

**STRANGULATION HAZARD**

9. Never attach or hang items to any part of the bunk bed that are not designed for use with the bed, for example, but not limited to hooks, belts, and jump ropes.

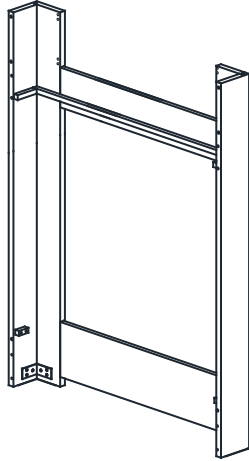
**DO NOT REMOVE THIS LABEL**



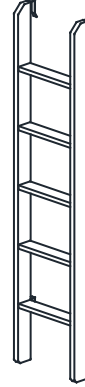
## Parts Identification

Please note, Headboard and Footboard are interchangeable and can be installed on either end of bunk.

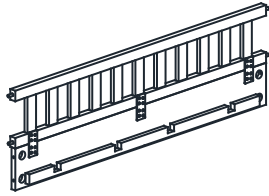
(A) Headboard/ Footboard (x2 pieces)



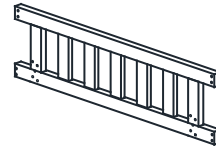
(B) Ladder (x1 piece)



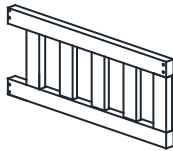
(C) Front/ Back Guard Rails (x2 pieces)



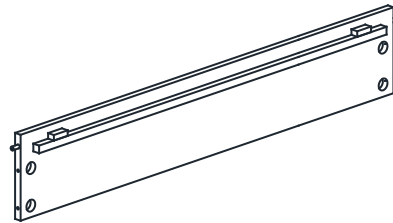
(D) Long Side Guard Rail (x1 piece)



(E) Short Side Guard Rail (x1 piece)



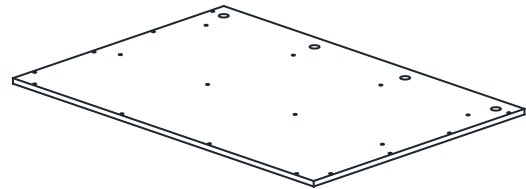
(F) Bottom Side Rail (x1 piece)



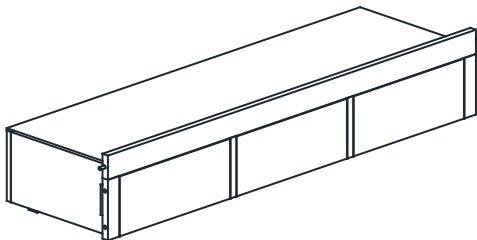
(G) Stretcher Bars (x4 pieces)



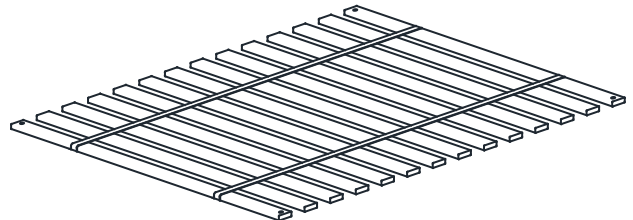
(H) Top Platform Panels (x2 pieces)



(I) Storage Box (x1 set)

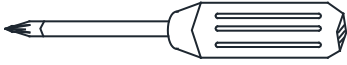


(J) Slat Roll (x1 set)















**TOOLS NEEDED:**

Phillips Head Screwdriver  
(Not included)



**HARDWARE INCLUDED:**

NO.	ITEM	DESCRIPTION	QTY.
1		5/16"x2-1/2" Threaded Rod	12 pcs.
2		5/16" Curved Slotted Washer	12 pcs.
3		5/16" x 12mm Hex Nut	12 pcs.
4		8 x 30mm Medium Screw	56 pcs.
5		12mm Wrench	1 pc.
6		8 x 19mm Short Screw	68 pcs.
7		51 x 38 x 1.5mm Small Metal Bracket	6 pcs.
8		200 x 52 x 4mm Long Metal Bracket	4 pcs.
9		5/16" x 19mm Flat Washer	4 pcs.
10		5/16" x 13mm Spring Washer	4 pcs.
11		5/16" x 2-1/2" Bolt	4 pcs.
12		4mm Allen Key	1 pc.

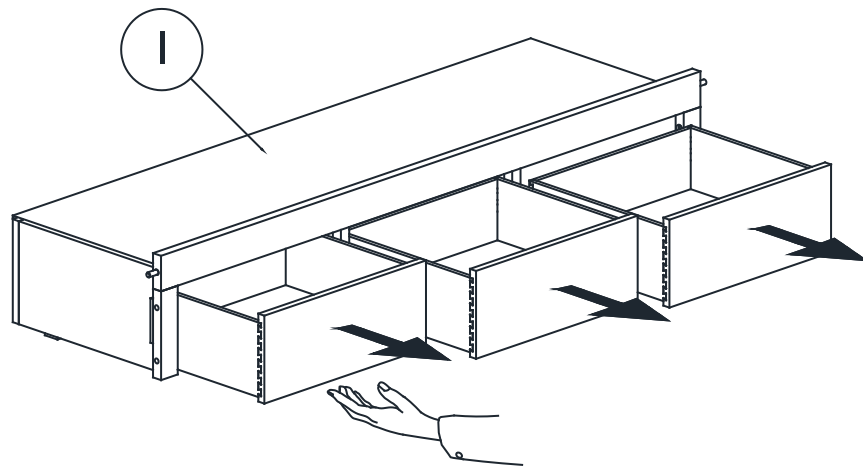
**ASSEMBLY INSTRUCTIONS:**

**Note:**

- Bed must be assembled by at least two people.
- Please read instructions carefully before assembling bed.
- Use the parts and fittings list to identify each component.
- Keep all packing materials until assembly is complete to avoid loss of smaller parts.
- Do not completely tighten all bolts until all steps are finished.

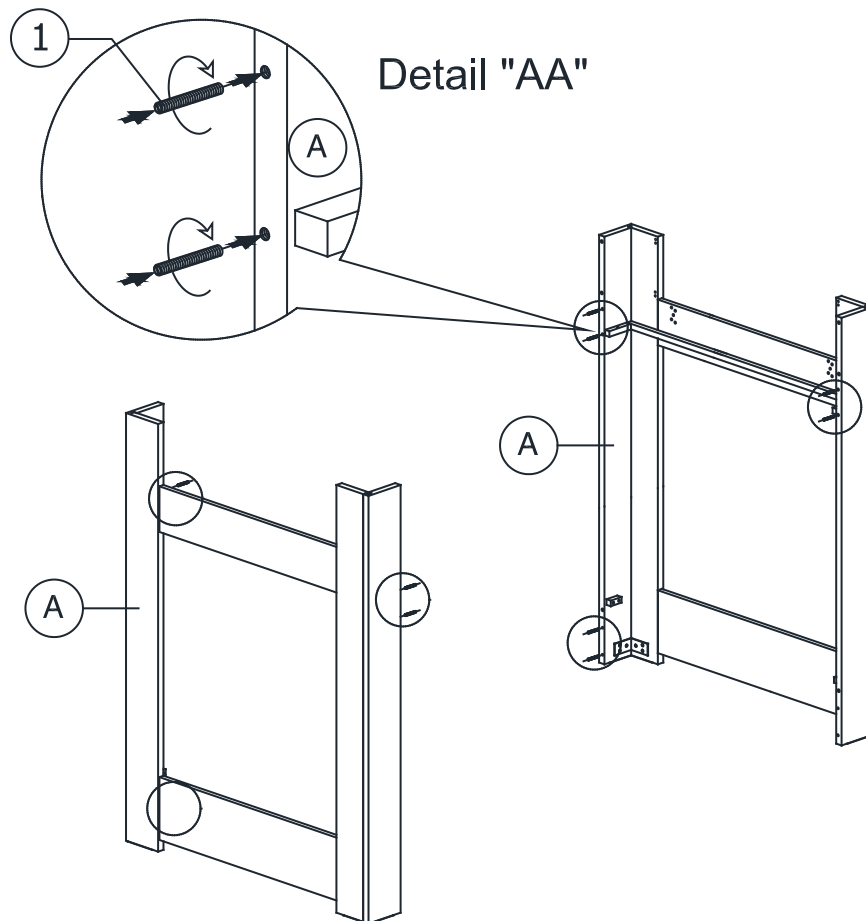
**STEP 1:**

Remove [3] drawers by pulling them out of the Storage Box (I).



**STEP 2:**

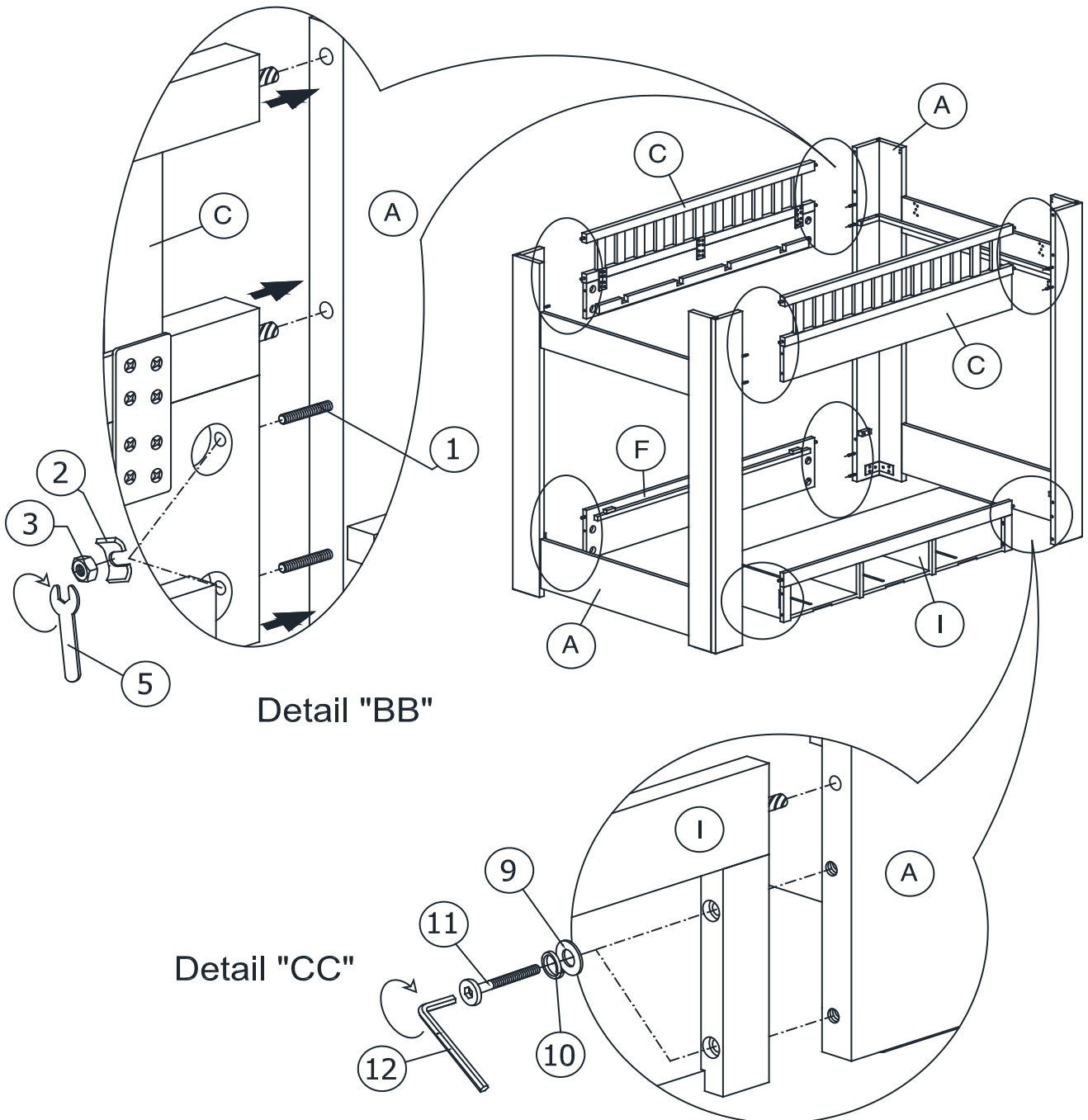
Thread the Threaded Rod (1) into the insert nuts of the Headboard/ Footboard (A) (Refer to Detail "AA").



**STEP 3:**

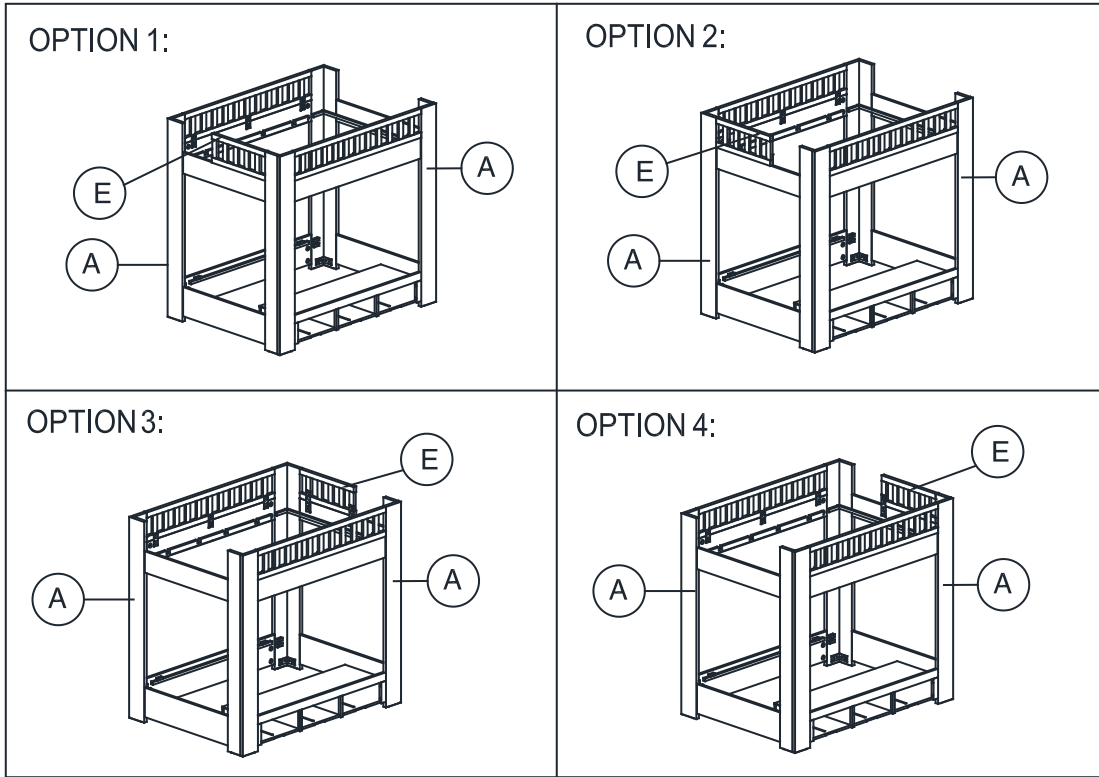
**NOTE: Bunk must be assembled by at least 2 people. Set all parts in final position for assembly, in a straight line.**

- 1 - Attach the Front/ Back Guard Rails (C), and Bottom Side Rail (F), and Storage Box (I) to the Head board/ Footboard (A) by aligning pre-installed wooden dowels and pre-drilled holes on Back Panel with the pre-drilled holes on the Headboard/ Footboard (A).
- 2 - Attach the Front/ Back Guard Rails (C), and Bottom Side Rail (F) to the Headboard/ Footboard (A) with Curved Slotted Washer (2) and Nut (3) onto Threaded Rod (1), and tighten loosely by Wrench (5) (refer to Detail "BB").
- 3 - Attach the Storage Box (I) to the Headboard/ Footboard (A) with Flat Washer (9), Spring Washer (10), Bolt (11), and using Allen Key (12) tighten (refer to Detail "CC").
- 4 - Tighten all bolts at this time.



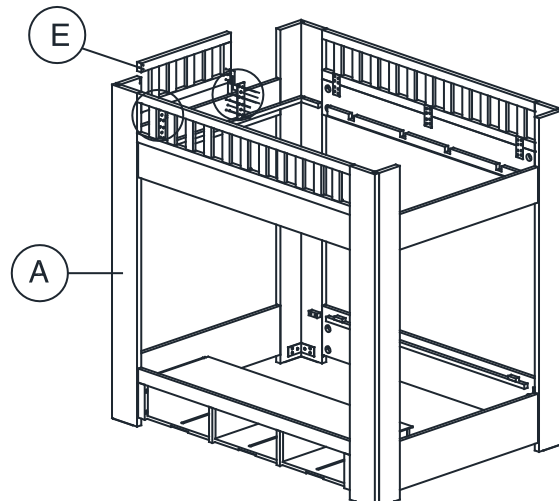
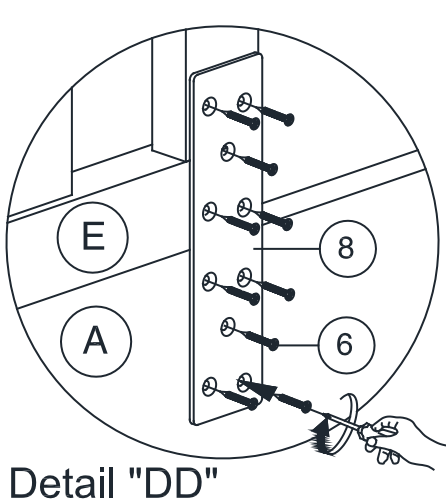
**STEP 4:**

Short Side Guard Rail (E) can be attached to headboard or footboard, depending on where you would like the Ladder (B) to be positioned (use options below).



**STEP 5:**

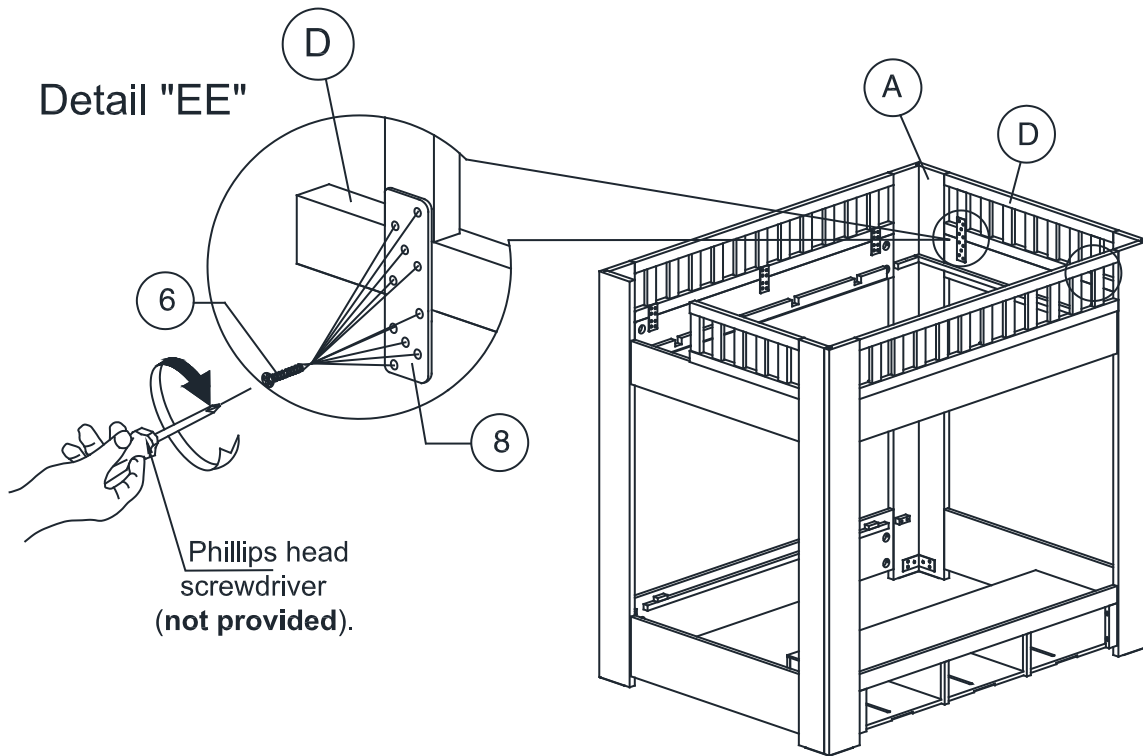
1. Open end of Short Side Guard Rail (E) must be positioned against Headboard/ Footboard (A), and closed end of Short Side Guard Rail (E) must be positioned against Ladder (B).
2. Attach Long Metal Brackets (8) to the Back Guard Rail (E) using 8x19mm Short Screws (6) that are provided.
2. Install Short Side Guard Rail (E) as indicated below and in Detail "DD".
4. Attach the Cross Bar (F) to the Headboard/ Footboard (A) by using Flat Washer (9), Lock Washer (10), Bolt (11) with Allen Key (12) provided (refer to Detail "DD").
5. **Tighten all bolts at this time.**





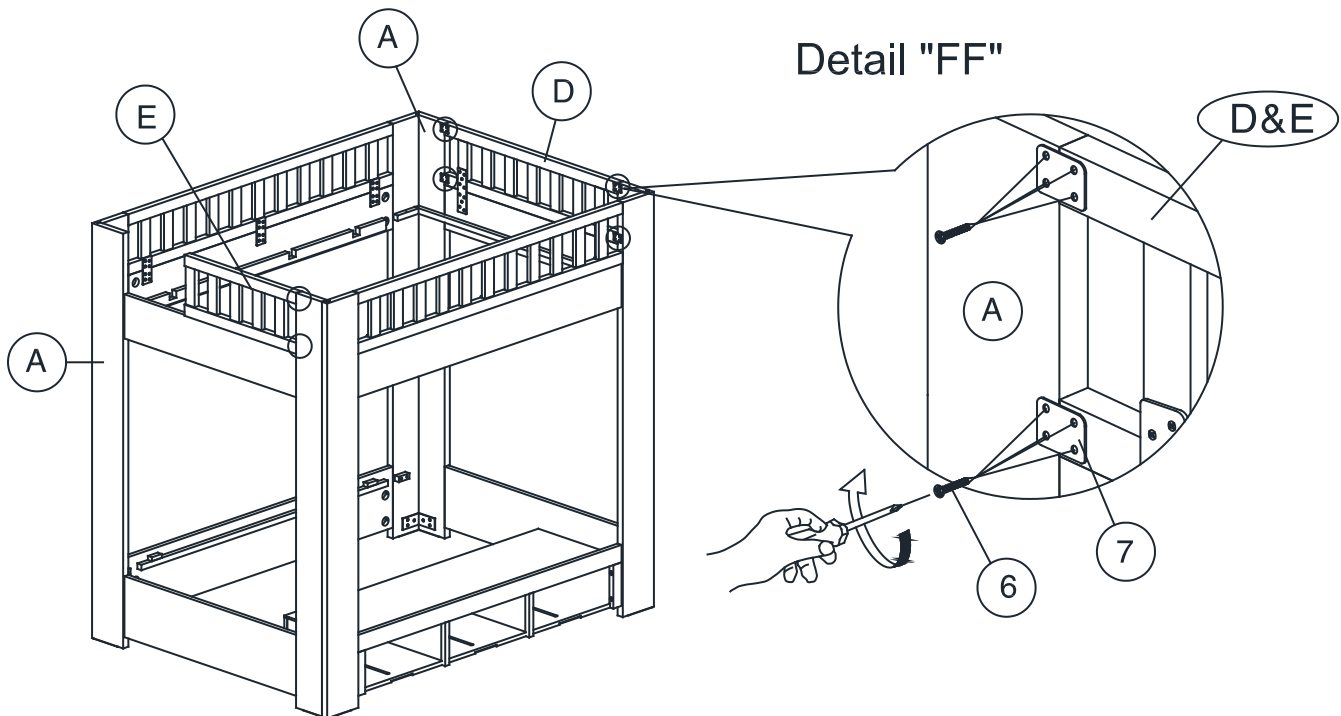
**STEP 6:**

Attach the Long Side Guard Rail (D) to the Headboard/ Footboard (A) by using Long Metal Brackets (8) and Short Screws (6) that are provided (refer to Detail "EE").



**STEP 7:**

Attach Small Metal Brackets (7) to top ends of all guard rails using 8x19mm Short Screws (6) that are provided (refer to Detail "FF").

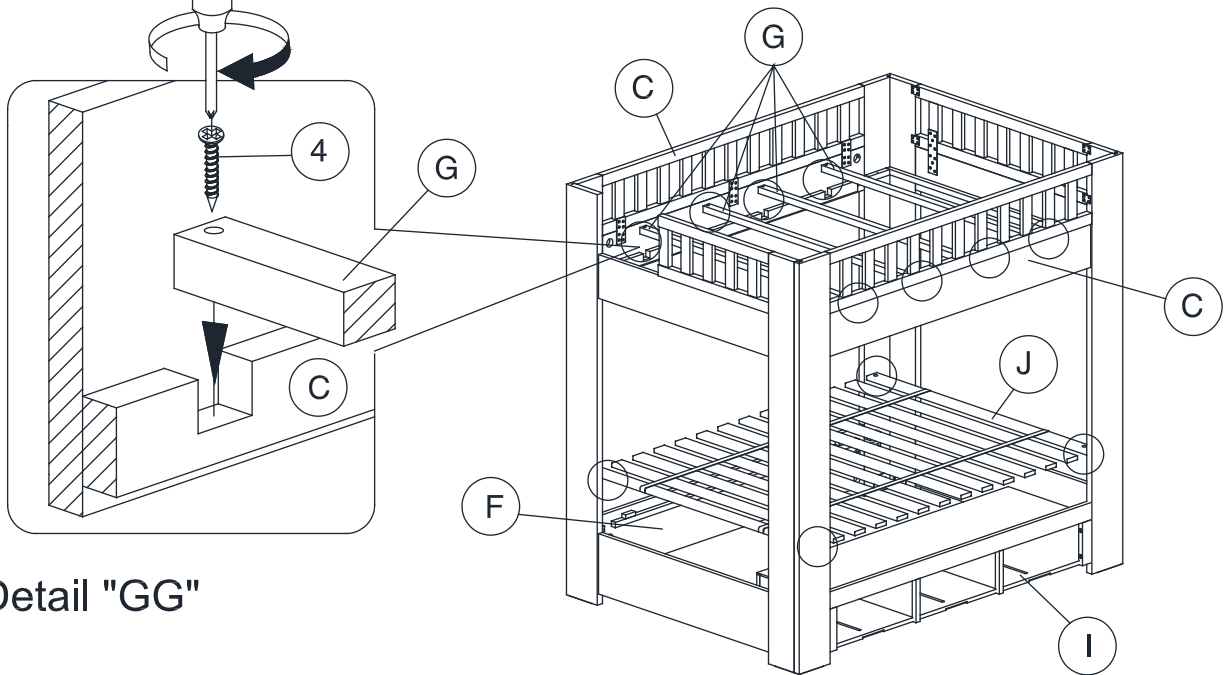


**STEP 8:**

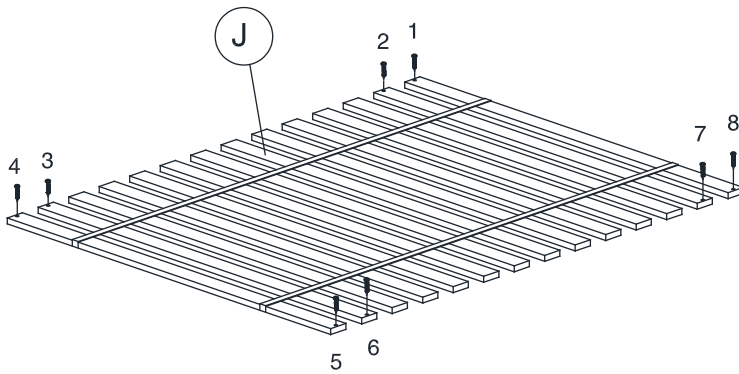
**NOTE: If you need to move the unit, do not drag it. 2 or more people are needed to safely move the unit.**

1. Lay the Stretcher Bars (G) in between the Front/ Back Guard Side Rails (C), then tighten using Medium Screws (4) and Phillips Head screwdriver (refer to Detail "GG").
2. Lay the Slat Roll (J) in between the Bottom Side Rail (F) and Storage Box (I), use Medium Screws (4) to fasten four end slats (two on each end) to side rails with a screwdriver (refer to Detail "HH").

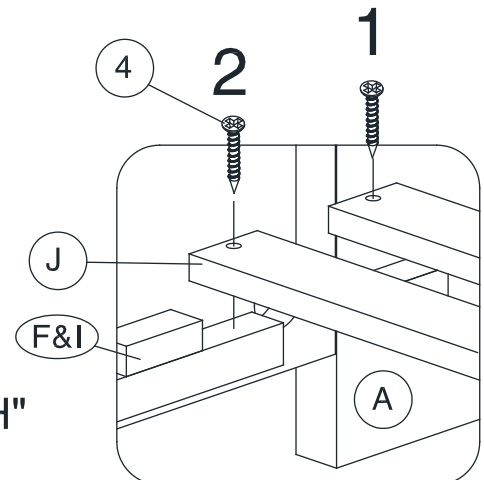
Phillips head  
screwdriver  
(not provided).



**Detail "GG"**



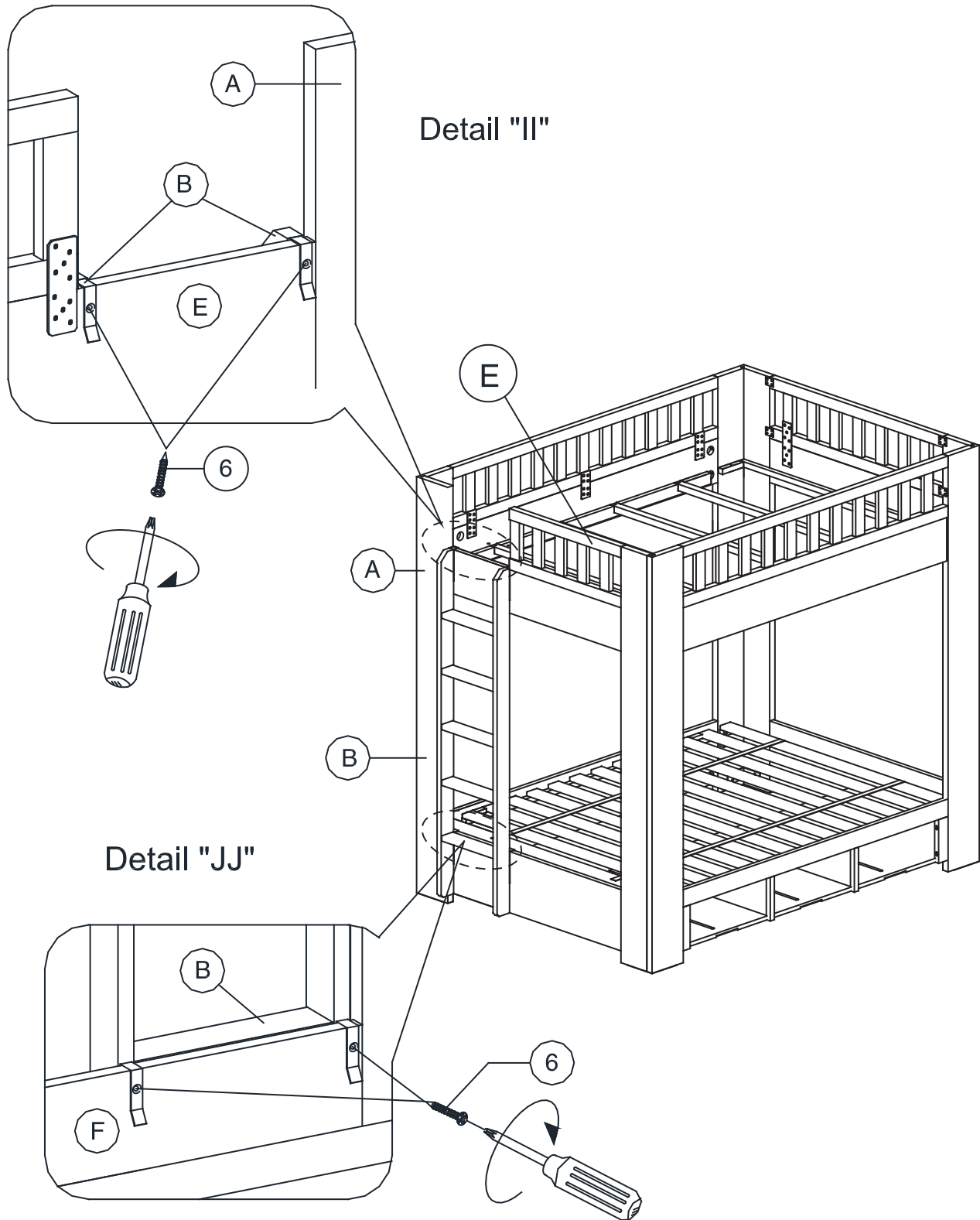
The webbing on the slats should be on the top side.



**Detail "HH"**

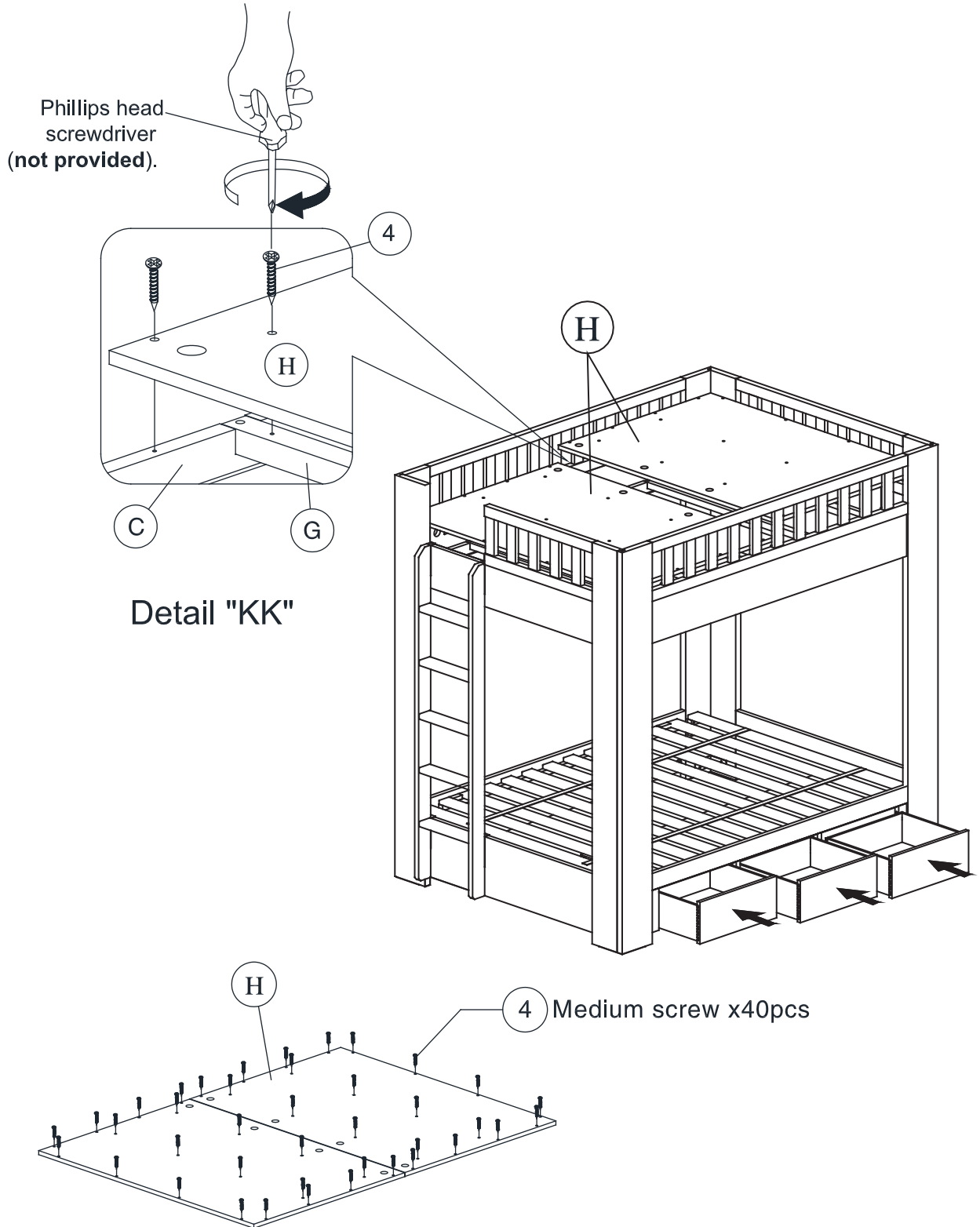
**STEP 9:**

Position the Ladder (B) in the opening between the Front/ Back Guard Rail (C) and the Short Side Guard Rail (E). Hook the Ladder (B) over the top and bottom side rails and tighten with Short Screws (6) using Phillips head screwdriver (refer to Detail "II", "JJ") .



**STEP 10:**

1. Lay the Top Platform Panels (H) on top of the Stretcher Bars (G) and attach using Qty.40 Medium Screws (4) with Phillips head screwdriver (refer to Detail "KK")
2. Place the drawers back into the Storage Box (I).



**STEP 11: INSTALL BEDDING**

**BEDDING SPECIFICATIONS FOR TOP BUNK:**

The following size mattress and Foundation are specified for use with this Bunk bed:

**MATTRESS DIMENSION SPECIFICATIONS FOR TOP BUNK**

Full - over - full bunk: (74" - 75") long x (53 1/2" - 54 1/2") wide x 9" thick

**PLATFORM :**

-Full - over - full Bunk: Upper bed consists of 2 pcs platform 37 3/4" long x 53 7/8" wide x 3/4" thick & bottom bed consists of 14 pcs slats 53 7/8" long x 2 1/2" wide x 3/4" thick.

**\*\*Note: MATTRESS THICKNESS MUST NOT EXCEED MAX 9" FOR TOP BUNK.**

Be sure to adhere to these BEDDING SPECIFICATIONS in order to avoid the possibility of falling or entrapment. THESE SPECIFICATIONS MUST BE STRICTLY ADHERED TO !

**UPPER BUNK MATTRESS DIAGRAM**

