


RH TEEN

ELDON STEAMER TRUNK 4-DRAWER TWIN STORAGE BED

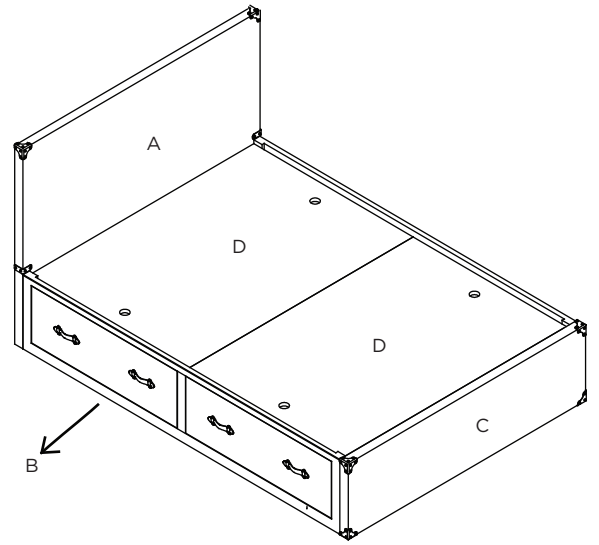
 **WARNING:** ADULT ASSEMBLY ONLY, OWING TO THE PRESENCE OF SMALL PARTS, SHARP POINTS AND EDGES

CUSTOMER SERVICE



If you are missing parts or have any questions about this product please contact us at 844-623-7500

PARTS INCLUDED

A [1] HEADBOARD
B [1] TRUNK STORAGE
C [1] FOOTBOARD
D [2] COVER PANEL



HARDWARE LIST

NO	ITEM	DESCRIPTION	QTY.
1		ALLEN BOLT, 2.25"	4PCS
2		PLAIN WASHER	4PCS
3		ALLEN WRENCH	1PCS

WARNING

These bed parts can be cumbersome and heavy to some people, therefore the assistance of an experienced carpenter and two or more people is recommended in order to prevent personal injury and ensure the bed parts are not damaged during the assembly process.

CARE INSTRUCTIONS

1. Dust often using a clean, soft, dry lint-free cloth.
2. Blot spills immediately.
3. We do not recommend the use of chemical cleansers, abrasives, or furniture polish.

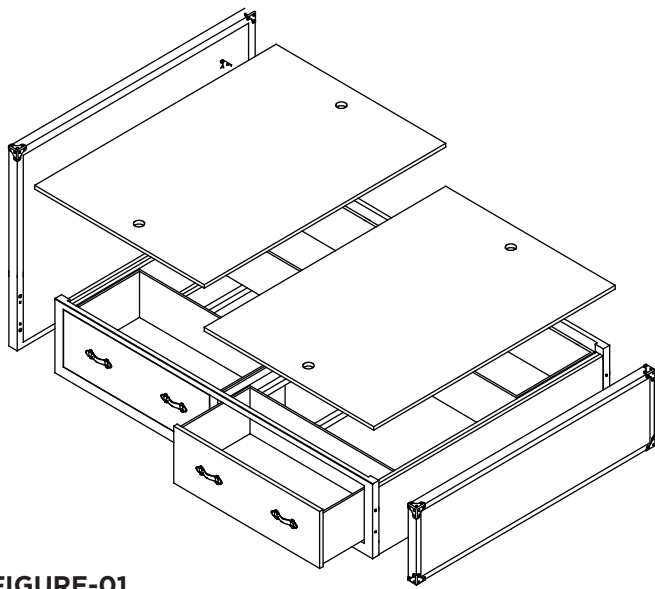


FIGURE-01

ASSEMBLY INSTRUCTIONS

The bed is composed of several components: the headboard, trunk storage, footboard and twin cover panel. Determine the intended location and ensure there is enough space to work with. Fully read these instructions before physically assembling.

STEP #1:

Place the bed parts on a plain and non-abrasive surface. Remove the drawer and twin cover panel of the trunk storage (B) to have full access to the holes on both corner ends. Please see FIGURE 01.

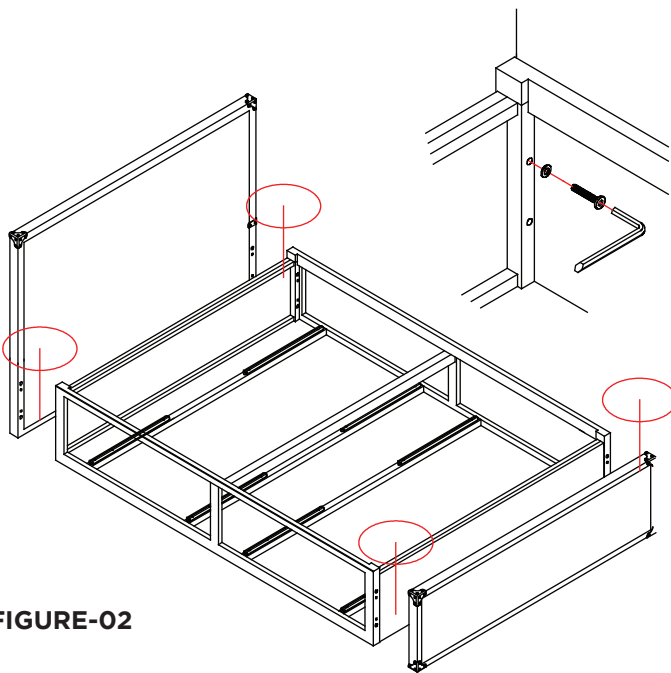


FIGURE-02

STEP #2:

Place the headboard (A) upright in the position you wish the bed to be in when fully assembled. Bring the headboard (A) against the bed storage (B) then locate and align the holes of the headboard (A). Once the bed storage (B) is set, fasten these with Allen head bolt (1) and Plain washers (2) provided. Tighten the bolts with Allen wrench (3) to a snug fit. Please see FIGURE 02.

STEP #3:

Repeat the above procedure with the foot board (if desired).

STEP #4:

Set the twin cover panels back on top of the trunk storage and fasten these with Allen head bolts (which are unscrewed for removing the cover panel). Please see FIGURE 03. Then insert drawers back to each bed storage drawer compartment. Please note that every drawer will have a number sticker on the back wall. This number should be matched with the sticker number inside the drawer compartment of the assembled bed.

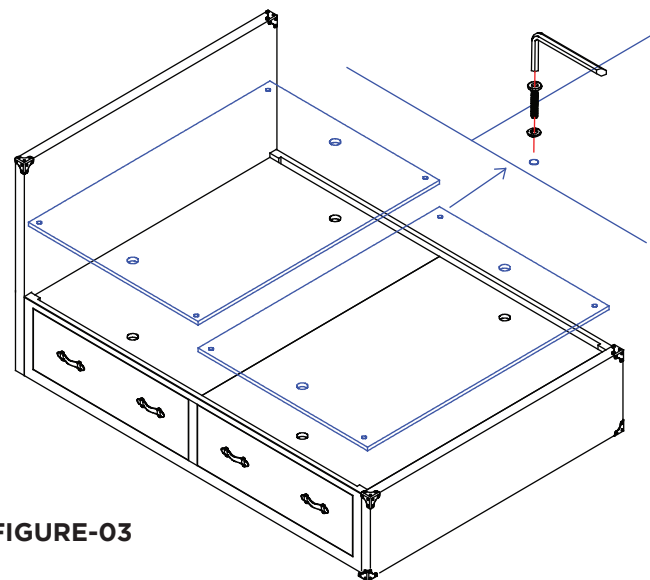


FIGURE-03