

RHTEEN

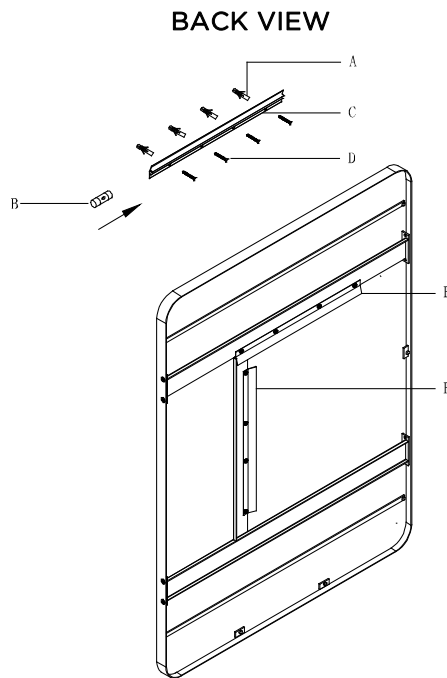
MINIMALIST METAL-WRAPPED DRESSER MIRROR

PARTS ENCLOSED:

- (A) Wall Anchors (4 pcs)
- (B) Balance Indicator (1 pc)
- (C) Wall Bracket (1 pc)
- (D) Wall Screws (4 pcs)
- (E) Back Panel Horizontal Bracket (1 pc)
- (F) Back Panel Vertical Bracket (1 pc)

ASSEMBLY INSTRUCTIONS:

1. Carefully remove all parts from the box and remove all plastic covering.
2. Before drilling holes to fix the wall bracket (C), please put the balance indicator (B) into the railroad of wall bracket (C) to test and make sure the wall bracket is located horizontally, then drill 4 holes in the wall that align with the holes on the wall bracket (C) and insert wall anchors (A).
3. Put the wall bracket (C) onto the wall anchors then screw wall screws (D) into anchors.
4. There are 2 brackets fixed on the back panel, 1 horizontal (E) and 1 vertical (F) for your installation convenience or choice. If you want to install the mirror horizontally, slide the back panel horizontal bracket (E) onto the wall bracket (C). If you want to install the mirror vertically, slide the back panel vertical bracket (F) onto the wall bracket (C).
5. Installation is complete.



CARE INSTRUCTIONS:

1. To clean, use a soft dry or damp cloth.
2. Do not use abrasive cleanser.

IMPORTANT SAFETY INSTRUCTIONS:

1. Professional installation is strongly recommended.
2. For your safety, it is recommended that two people hang the fixture.
3. These instructions are provided for your safety. It is important that they are read carefully and completely before installation of the fixture.
4. Check with a professional to ensure your wall can tolerate a fixture weighting 50 lbs.
5. It is imperative that the mirror is mounted into a wall stud.