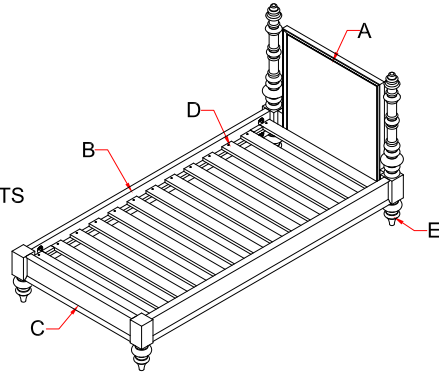


# RHTEEN

## ZOE PLATFORM TWIN BED - ASSEMBLY INSTRUCTIONS

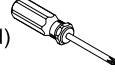
### PARTS INCLUDED

- A [1] HEADBOARD
- B [2] SIDE RAILS
- C [1] FOOTBOARD
- D [1] SET OF BED SLATS
- E [4] LEG



### TOOLS NEEDED

Phillips-head Screwdriver (not included)



### HARDWARE INCLUDED

NO.	SKETCH	DESCRIPTION	SPECIFICATION	QTY.
1		Threaded Rod	M8 x 100mm	8 pcs.
2		Curved Washer	15 x 8.5 x 2mm	8 pcs.
3		Lock Washer	Ø14 x Ø9 x 2mm	8 pcs.
4		Hex Nut	M8 x H15 x D14mm	8 pcs.
5		Spanner Wrench	D14.5 x 100mm	1 pc.
6		Round-head Screw	M4 x 25mm	26 pcs.

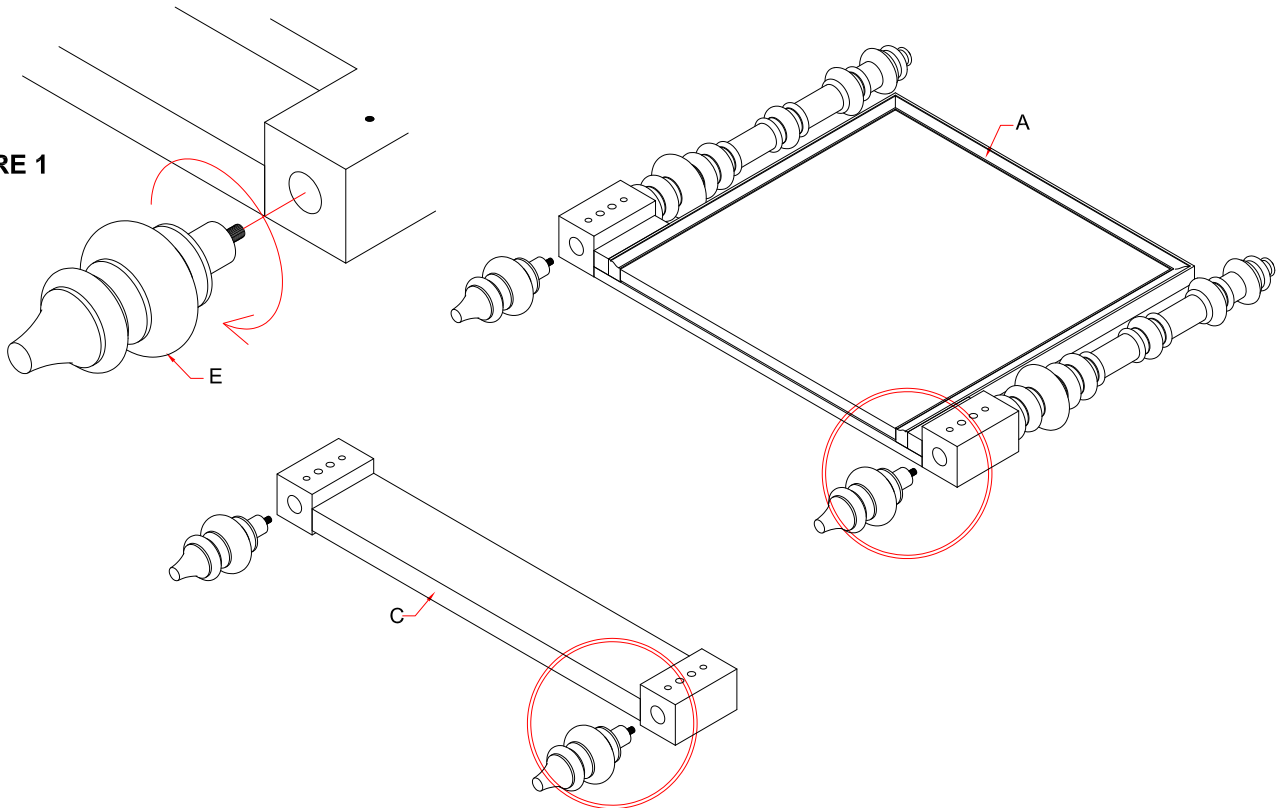
### IMPORTANT SAFETY INSTRUCTIONS

1. Please read all instructions carefully before assembling.
2. For your safety, assembly by two or more adults is strongly recommended.
3. Keep instructions for future use.
4. Use only vendor-supplied hardware to assemble. Using unauthorized hardware could jeopardize the structural integrity of the item.

### ASSEMBLY INSTRUCTIONS

1. Gently lay the headboard (A) and footboard (C) on a flat and non-abrasive surface.
2. Attach the legs (E) to bottom of the headboard (A) and footboard (C). Refer to FIGURE 1.

FIGURE 1



# RHTEEN

## ZOE PLATFORM TWIN BED - ASSEMBLY INSTRUCTIONS

3. Place the headboard (A) upright in the position you wish the bed to be in when fully assembled. Secure the threaded rod (1) to the fixed nut in the headboard (A) by simply turning it manually. Raise the side rail (B) up and place the rod (1) to align with the bore holes on the end of the side rails (B). Put the side rails (B) up against the headboard (A) so the threaded rods go through the bore holes. Insert curved washer (2) and lock washer (3), place hex nuts (4) on threaded rod (1) and tighten hex nuts (4) with wrench (5). See FIGURE 2
4. Repeat the above procedure with the other side rail (B) to attach it to the headboard (A), and then repeat to connect side rails (B) to the footboard (C).
5. There are pre-installed wooden stopper cleats on inside of both side rails (B) designed to hold the set of bed slats (D). Place bed slats (D) on both sides of the side rails (B), with the second to the last slat on either side of the stopper cleat, to hold the slats in place. Once the slats (D) are set, secure this with screws (6) provided, as in FIGURE 3.

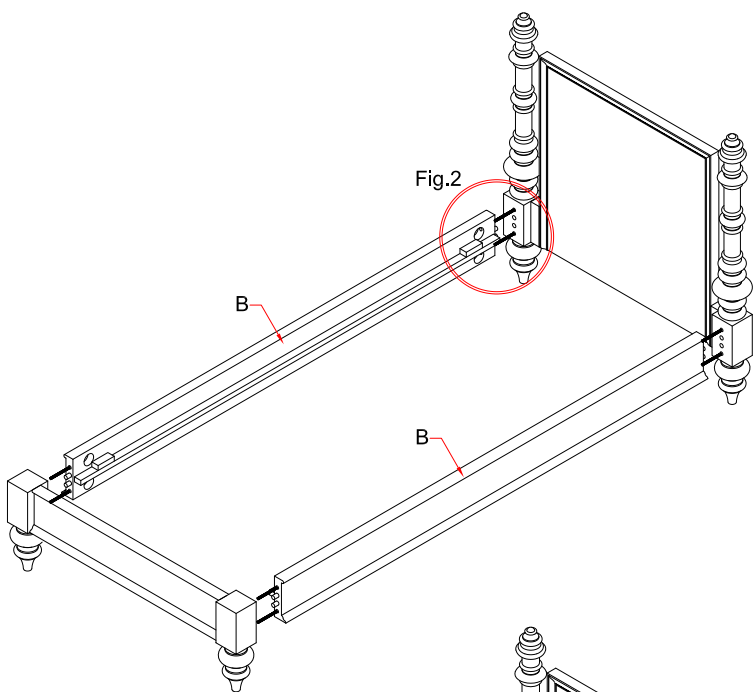


FIGURE 2

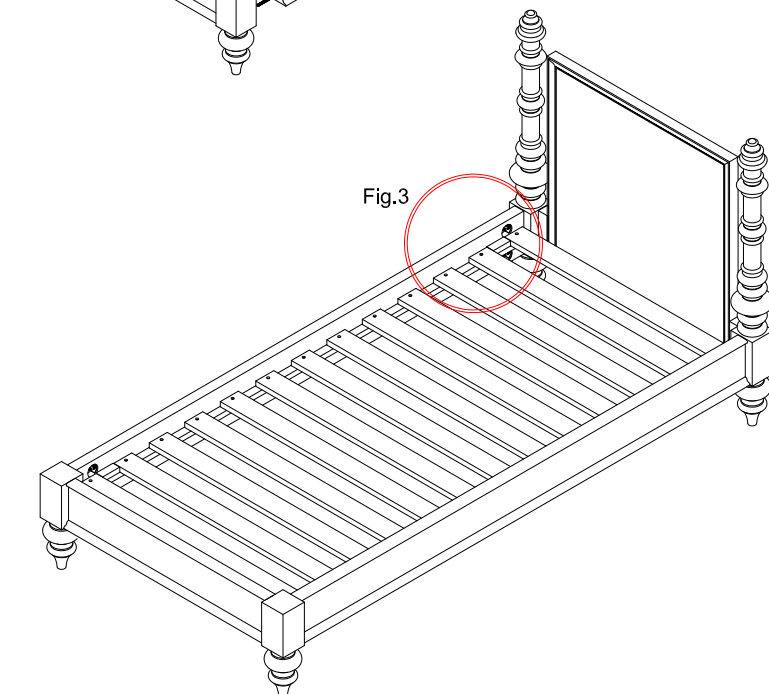
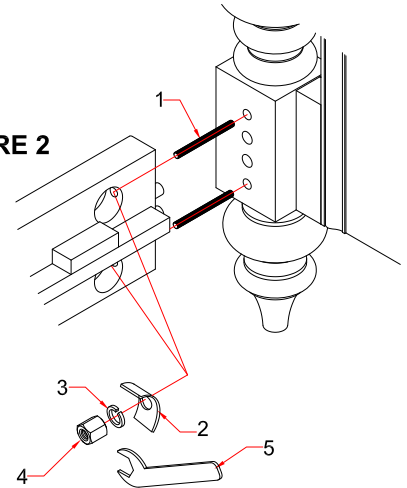
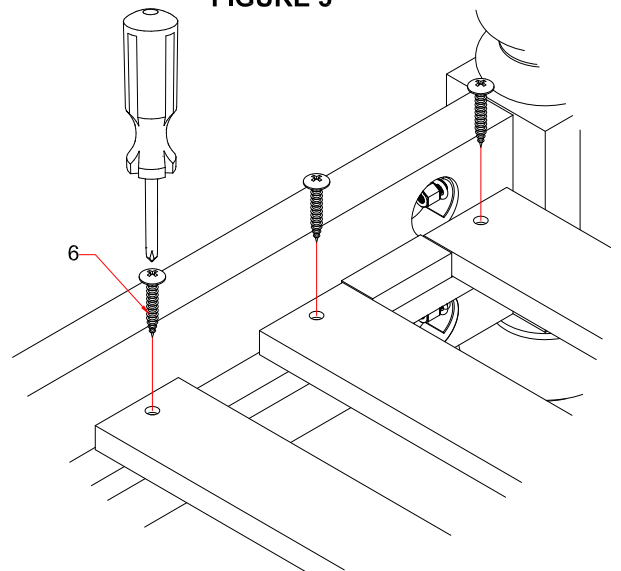


FIGURE 3



### CARE INSTRUCTIONS

1. Dust often using a clean, soft, dry and lint-free cloth.
2. Blot spills immediately and wipe with a clean, damp cloth.
3. Do not use chemical cleaners, abrasives or furniture polish, as they may damage the finish.