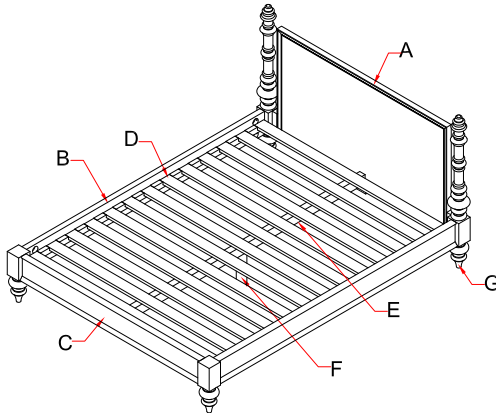


RHTEEN

ZOE PLATFORM QUEEN BED - ASSEMBLY INSTRUCTIONS

PARTS INCLUDED

- A [1] HEADBOARD
- B [2] SIDE RAILS
- C [1] FOOTBOARD
- D [13] BED SLATS
- E [1] SLAT SUPPORT
- F [1] SUPPORT LEG
- G [4] LEG



HARDWARE INCLUDED

NO.	SKETCH	DESCRIPTION	SPECIFICATION	QTY.
1		Threaded Rod	M8 x 100mm	8 pcs.
2		Curved Washer	15 x 8.5 x 2mm	8 pcs.
3		Lock Washer	Ø14 x Ø9 x 2mm	8 pcs.
4		Hex Nut	M8 x H15 x D14mm	8 pcs.
5		Spanner Wrench	D14.5 x 100mm	1 pc.

IMPORTANT SAFETY INSTRUCTIONS

1. Please read all instructions carefully before assembling.
2. For your safety, assembly by two or more adults is strongly recommended.
3. Keep instructions for future use.
4. Use only vendor-supplied hardware to assemble. Using unauthorized hardware could jeopardize the structural integrity of the item.

ASSEMBLY INSTRUCTIONS

1. Gently lay the headboard (A) and footboard (C) on a flat and non-abrasive surface.
2. Attach the legs (G) to bottom of the headboard (A) and footboard (C). Refer to FIGURE 1.
3. Place the headboard (A) upright in the position you wish the bed to be in when fully assembled. Secure the threaded rod (1) to the fixed nut in the headboard (A) by simply turning it manually. Raise the side rail (B) up and place the rod (1) to align with the bore holes on the end of the side rails (B). Put the side rails (B) up against the headboard (A) so the threaded rods go through the bore holes. Insert curved washer (2) and lock washer (3), place hex nuts (4) on threaded rod (1) and tighten hex nuts (4) with wrench (5). See FIGURE 2
4. Repeat the above procedure with the other side rail (B) to attach it to the headboard (A), and then repeat to connect side rails (B) to the footboard (C).

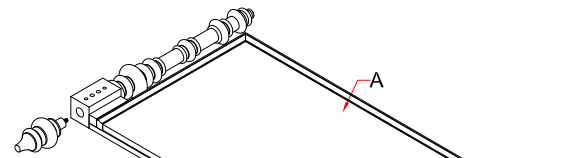


Fig. 1

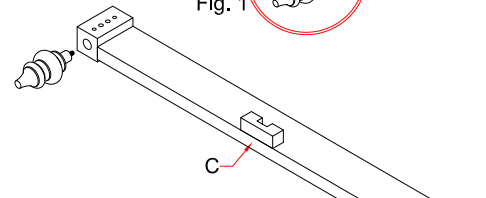


Fig. 1

FIGURE 1

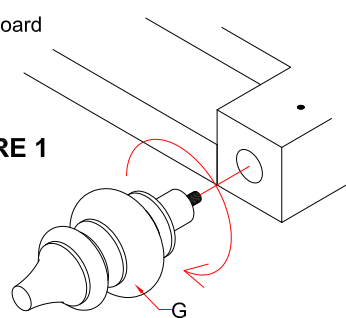


FIGURE 2

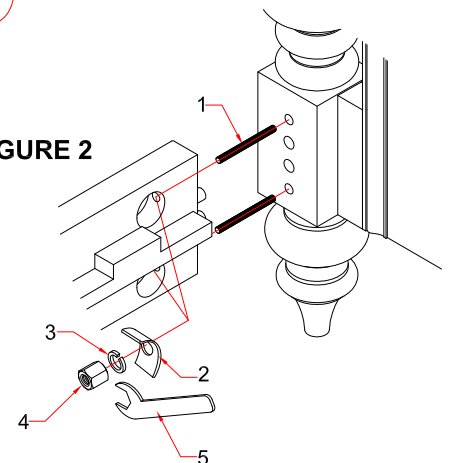
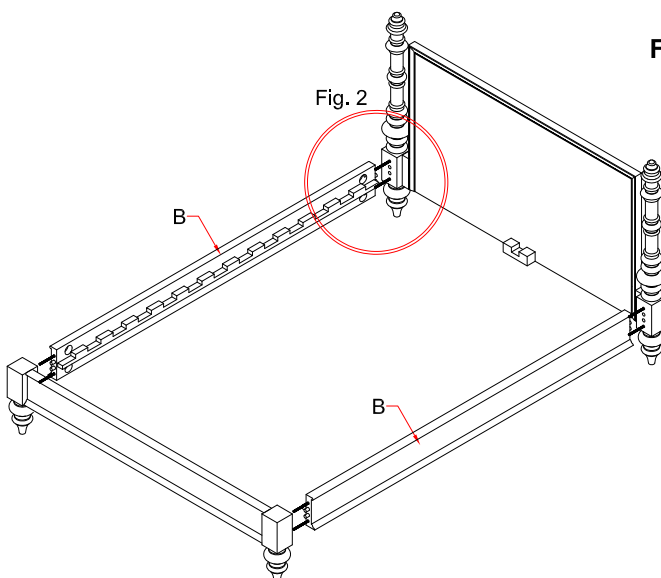


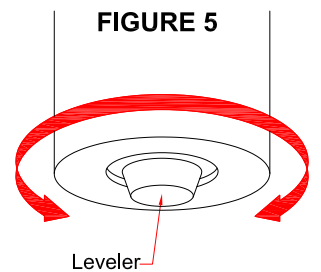
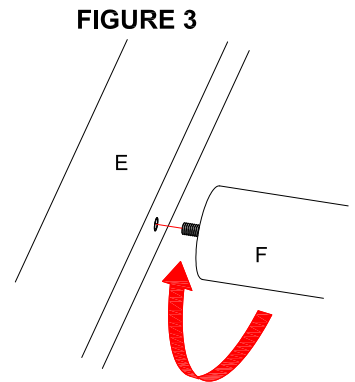
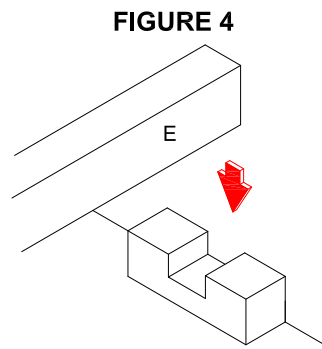
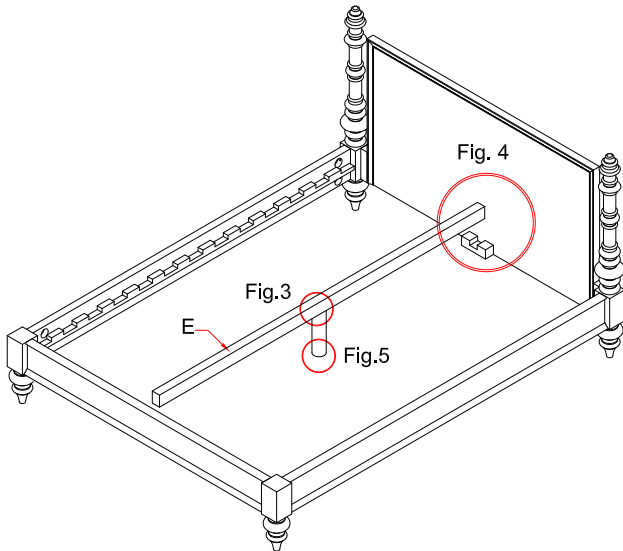
Fig. 2



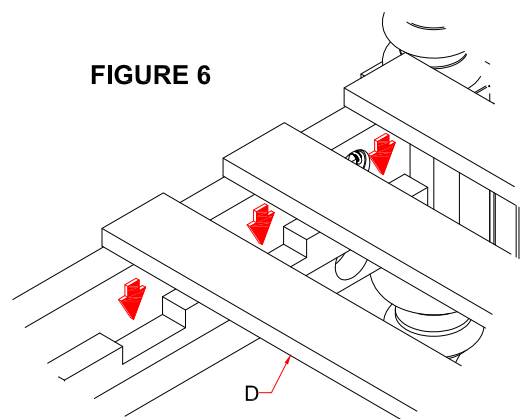
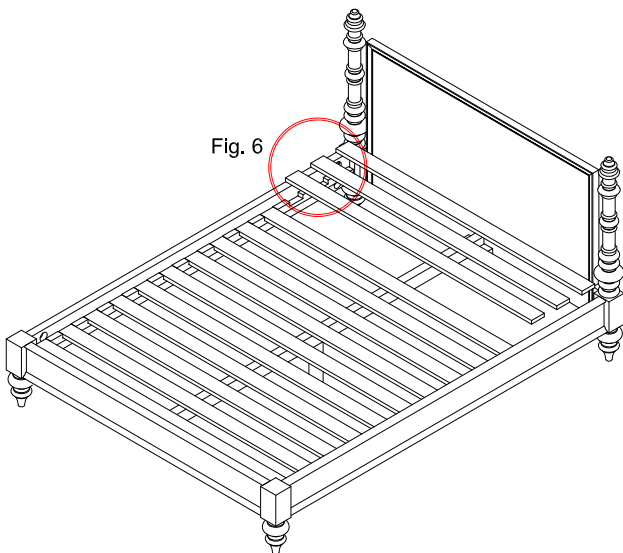
RHTEEN

ZOE PLATFORM QUEEN BED - ASSEMBLY INSTRUCTIONS

- Attach the support leg (F) to the slat support (E) by turning it manually. See FIGURE 3.
- There are pre-installed wooden brackets on inside of both headboard (A) and footboard (C) for the slat support rail (E). Set the slat support rail (E) on the wood brackets as per illustration in FIGURE 4. If necessary, adjust the leveler on bottom of the support leg (F) to make sure the slat support rail is level. See FIGURE 5.



- Set the bed slats (D) into the cavities on the slat holder rails of the side rails (B), as illustrated in FIGURE 6.



CARE INSTRUCTIONS

- Dust often using a clean, soft, dry and lint-free cloth.
- Blot spills immediately and wipe with a clean, damp cloth.
- Do not use chemical cleaners, abrasives or furniture polish, as they may damage the finish.