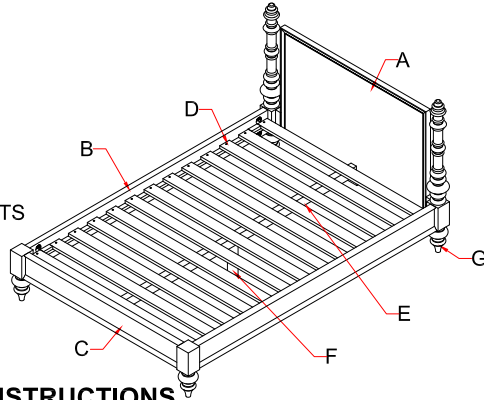


RHBABY&CHILD

ZOE PLATFORM FULL BED - ASSEMBLY INSTRUCTIONS

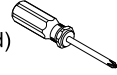
PARTS INCLUDED

- A [1] HEADBOARD
- B [2] SIDE RAILS
- C [1] FOOTBOARD
- D [1] SET OF BED SLATS
- E [1] SLAT SUPPORT
- F [1] SUPPORT LEG
- G [4] LEG



TOOLS NEEDED

Phillips-head Screwdriver (not included)



HARDWARE INCLUDED

NO.	SKETCH	DESCRIPTION	SPECIFICATION	QTY.
1		Threaded Rod	M8 x 100mm	8 pcs.
2		Curved Washer	15 x 8.5 x 2mm	8 pcs.
3		Lock Washer	Ø14 x Ø9 x 2mm	8 pcs.
4		Hex Nut	M8 x H15 x D14mm	8 pcs.
5		Spanner Wrench	D14.5 x 100mm	1 pc.
6		Round-head Screw	M4 x 25mm	26 pcs.

IMPORTANT SAFETY INSTRUCTIONS

- Please read all instructions carefully before assembling.
- For your safety, assembly by two or more adults is strongly recommended.
- Keep instructions for future use.
- Use only vendor-supplied hardware to assemble. Using unauthorized hardware could jeopardize the structural integrity of the item.

ASSEMBLY INSTRUCTIONS

- Gently lay the headboard (A) and footboard (C) on a flat and non-abrasive surface.
- Attach the legs (G) to bottom of the headboard (A) and footboard (C). Refer to FIGURE 1.
- Place the headboard (A) upright in the position you wish the bed to be in when fully assembled. Secure the threaded rods (1) to the fixed nuts in the headboard (A) by simply turning them manually. Raise the side rail (B) up and align the rod (1) with the boreholes on the end of the side rail (B). Put the side rail (B) up against the headboard (A) so the threaded rods go through the boreholes. Insert curved washers (2) and lock washers (3), hex nuts (4) on threaded rods (1) and tighten hex nuts (4) with wrench (5). See FIGURE 2.
- Repeat the above procedure with the other side rail (B) to attach it to the headboard (A), and then repeat to connect side rails (B) to the footboard (C).

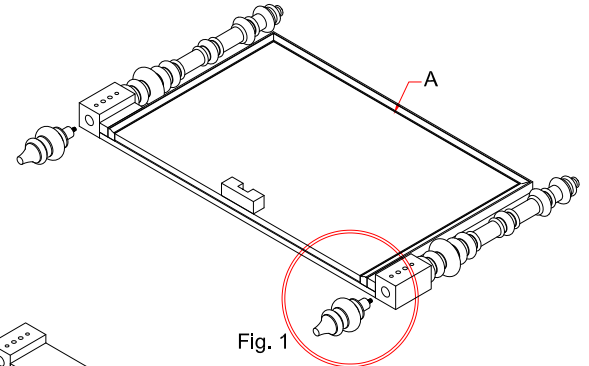


FIGURE 1

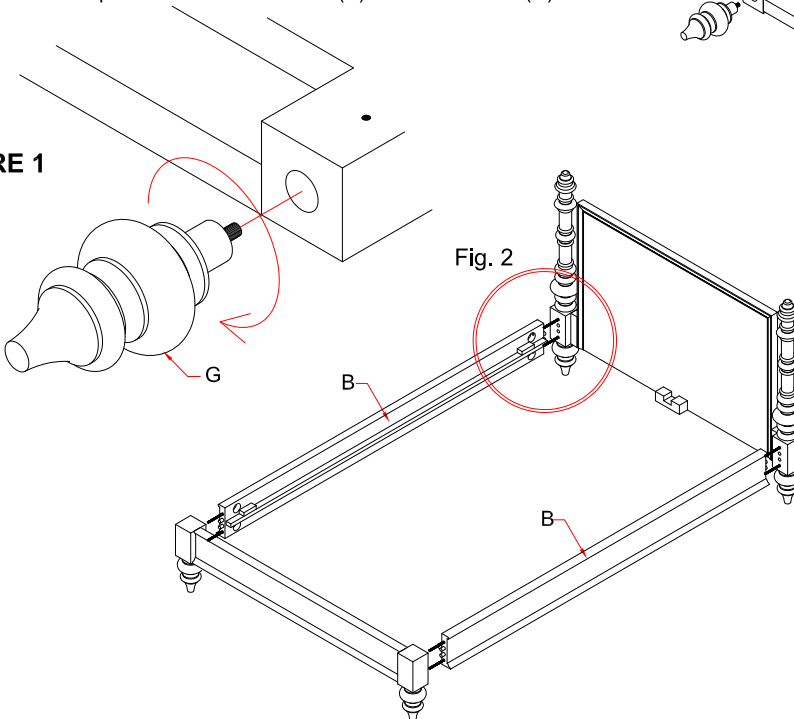
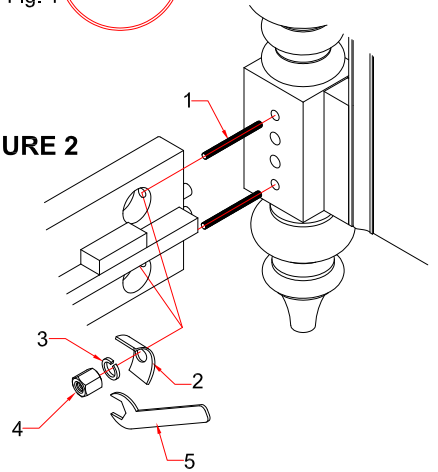


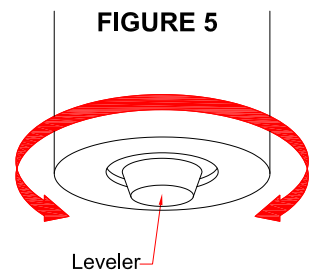
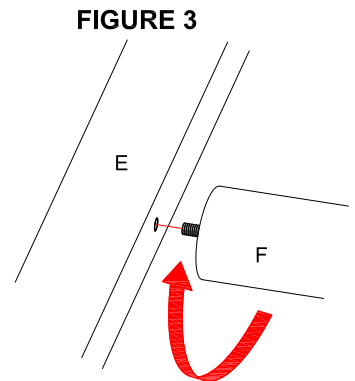
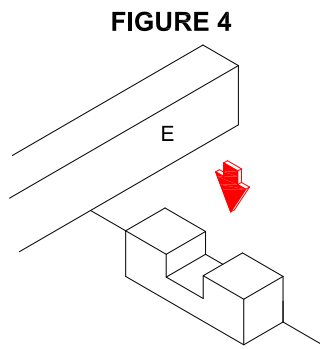
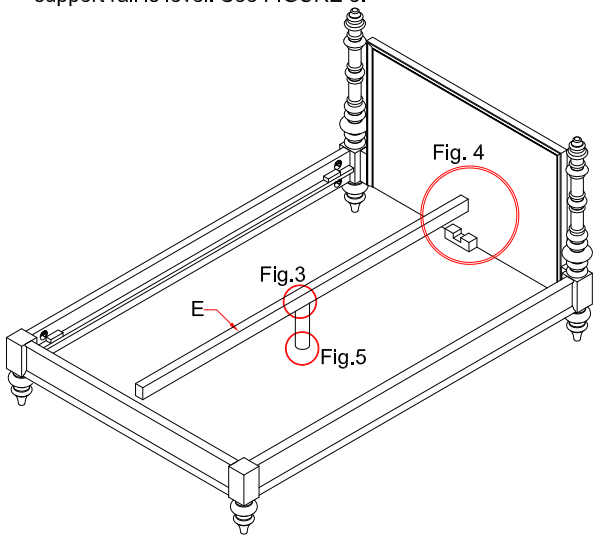
FIGURE 2



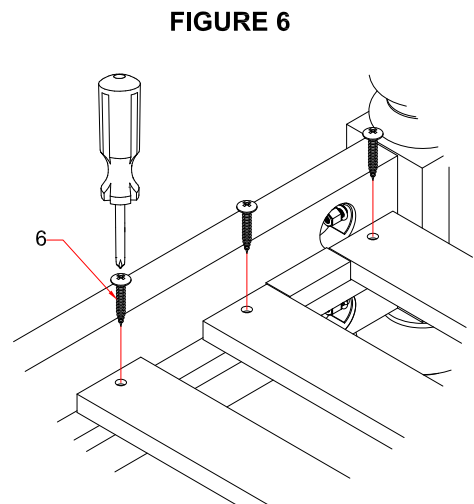
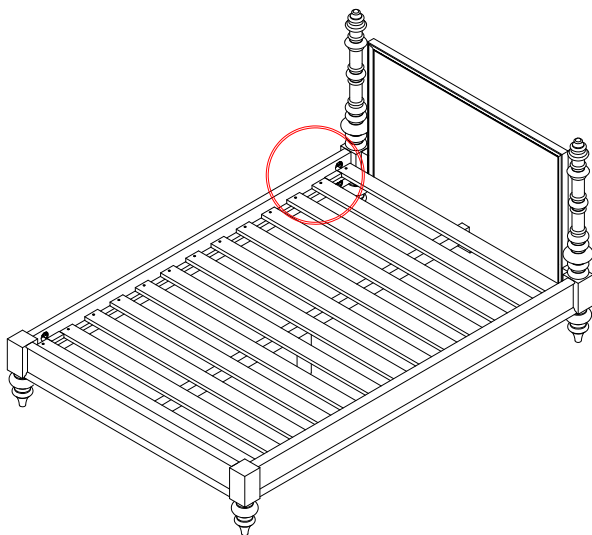
RHBABY&CHILD

ZOE PLATFORM FULL BED - ASSEMBLY INSTRUCTIONS

- Attach the support leg (F) to the slat support (E) by turning it manually. See FIGURE 3.
- There are pre-installed wooden brackets on the inside of both headboard (A) and footboard (C) for the slat support rail (E). Set the slat support rail (E) on the wood brackets as per illustration in FIGURE 4. If necessary, adjust the leveler on bottom of the support leg (F) to make sure the slat support rail is level. See FIGURE 5.



- There are pre-installed wooden stopper cleats on the inside of both side rails (B) designed to hold the set of bed slats (D). Place bed slats (D) on both sides of the side rails (B), with the second to the last slat on either side of the stopper cleat, to hold the slats in place. Once the slats (D) are set, secure with the screws (6) provided, as in FIGURE 6.



CARE INSTRUCTIONS

- Dust often using a clean, soft, dry and lint-free cloth.
- Blot spills immediately and wipe with a clean, damp cloth.
- Do not use chemical cleaners, abrasives or furniture polish, as they may damage the finish.