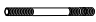





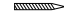


RH TEEN

VALENTINA UPHOLSTERED PLATFORM BED TWIN - ASSEMBLY INSTRUCTIONS

PARTS INCLUDED

- A. HEADBOARD (1)
- B. SIDE RAILS (2)
- C. FOOTBOARD (1)
- D. SLATS (4)
- E. PLATFORMS (2)

| NO. | | HARDWARE ENCLOSED | QTY |
|-----|---|-------------------|--------|
| 1 |  | Thread Rod | 8 pcs |
| 2 |  | Curved Washer | 8 pcs |
| 3 |  | Lock Washer | 8 pcs |
| 4 |  | Nut | 8 pcs |
| 5 |  | Spanner Wrench | 1 pc |
| 6 |  | Screw (3cm) | 16 pcs |
| 7 |  | Screw (4cm) | 8 pcs |

TOOLS NEEDED:

Phillips-Head Screwdriver (not included)



ASSEMBLY INSTRUCTIONS

Bed must be assembled by at least two people.

Please read instructions carefully before assembling bed.

Use the above parts and hardware list to identify each component.

Keep all packing materials until assembly is complete to avoid loss of smaller parts.

1. Stand the Headboard (A) upright and insert Thread Rods (1) into the prefabricated holes. Align the Side Rails (B). Attach Curved Washer (2), Lock Washer (3), and Nuts (4) onto the Thread Rods (1) and tighten the Nuts (4) and Thread Rods (1) with Spanner Wrench (5), as shown in Diagram I. Repeat the procedure to attach Side Rails (B) to Footboard (C).
2. Place the Slats (D) on the top of the Side Rail's (B) side slats and fasten using Screw (7), as shown in Diagram II.
3. Lay the Platform Panel (E) on the top of the Slats (D), then fasten with Screw (6), as shown in Diagram III.

CARE INSTRUCTIONS

Spot clean only with a soft, damp cloth.

Diagram I

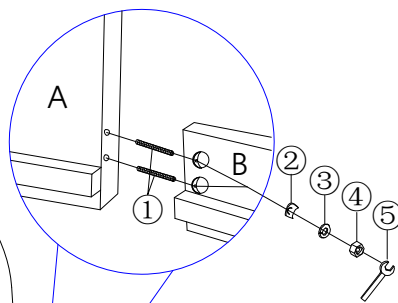


Diagram II

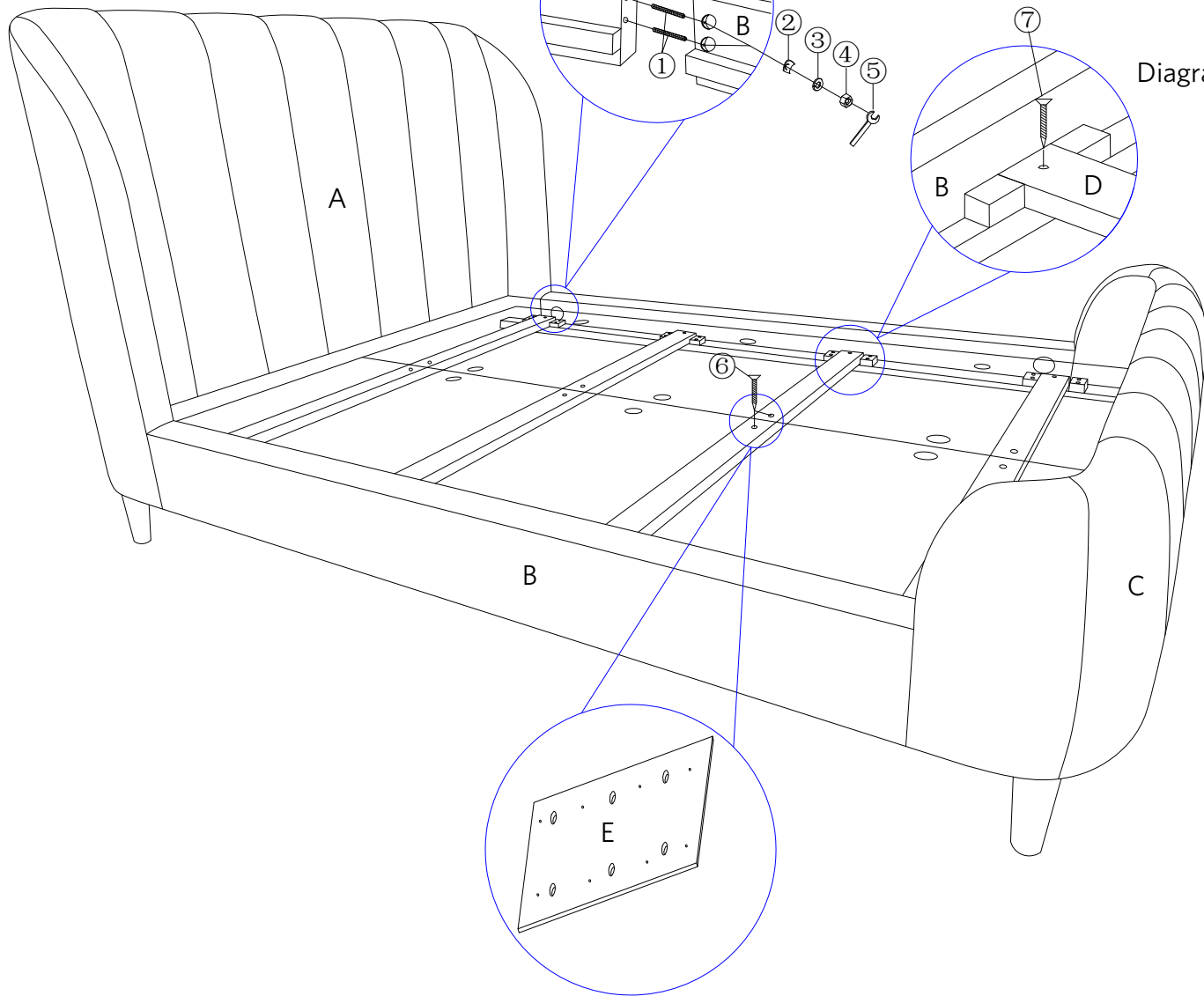
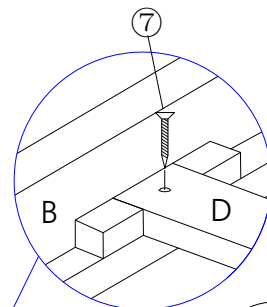


Diagram III