




TEAGAN UPHOLSTERED BED WITH FOOTBOARD - ASSEMBLY INSTRUCTIONS
FULL & QUEEN

PARTS INCLUDED

- A. HEADBOARD (1)
- B. SIDE RAILS WITH STORAGE (2)
- C. FOOTBOARD (1)
- D. PLATFORM PANELS (2)

NO.	ITEM	DESCRIPTION	QTY
1		Allen-Head Bolts (0.8cm Dia.)	16 pcs.
2		Allen key (0.5cm)	1 pc.

ASSEMBLY INSTRUCTIONS

Bed must be assembled by at least two people.

Please read instructions carefully before assembling bed.

Use the above parts and hardware list to identify each component.

Keep all packing materials until assembly is complete to avoid loss of smaller parts.

1. Stand the Headboard (A) upright and attach Side Rail (B), and pull out the drawers from side rails, then tighten Allen-Head Bolts (1) with Allen Wrench (2), as shown in Diagram I.
2. Repeat above procedure to attach the Footboard (C), then tighten all Allen-Head Bolts (1) with Allen Wrench (2), as shown in Diagram II.
3. Lay the Platform Panel (D) on the top, as shown in Diagram III.

CARE INSTRUCTIONS

1. Spot clean only with a soft, damp cloth.

Diagram I

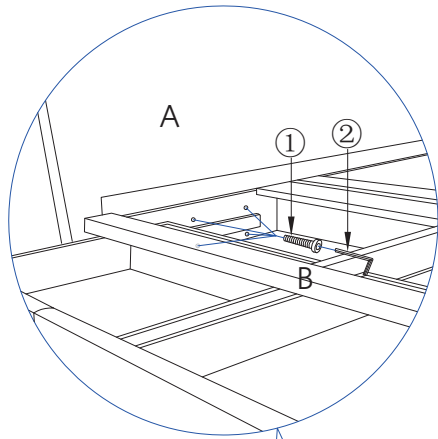


Diagram II

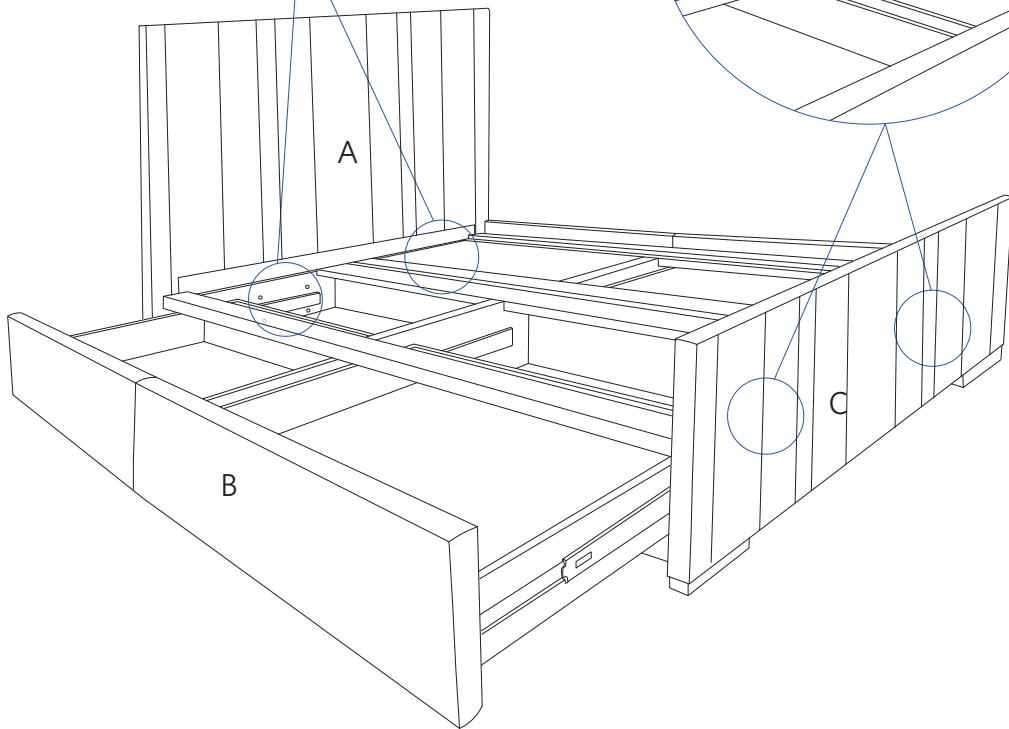
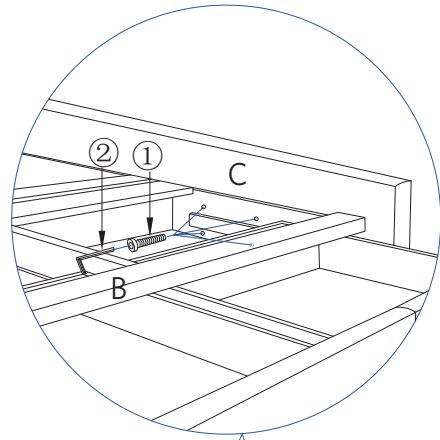


Diagram III

