





RONSON SHELTER STORAGE FULL & QUEEN BED - ASSEMBLY INSTRUCTIONS

PARTS INCLUDED

- A. HEADBOARD (1)
- B. SIDE RAILS WITH DRAWER (2)
- C. FOOTBOARD (1)
- D. PLATFORMS (4)

NO	ITEM	HARDWARE ENCLOSED	QTY
1		Allen-Head bolts (0.8cm Dia.)	8 pcs.
2		Allen Key (0.5cm)	1 pc.

TOOLS NEEDED

Phillips-Head Screwdriver (not included)



ASSEMBLY INSTRUCTIONS

Bed must be assembled by at least two people.

Please read instructions carefully before assembling bed.

Use the above parts and hardware list to identify each component.

Keep all packing materials until assembly is complete to avoid loss of smaller parts.

1. Stand the Headboard (A) upright and align Side Rails with Drawer (B). Pull out the drawers from Side Rails and tighten Allen Head Bolt (1) with Allen Key (2), as shown in Diagram I.
2. Repeat the above procedure to attach Footboard (C) to Side Rails with Drawer (B), as shown in Diagram II.
3. Lay the Platform (D) on the top, as shown in Diagram III.

CARE INSTRUCTIONS

Spot clean only with a soft, damp cloth.

Diagram I

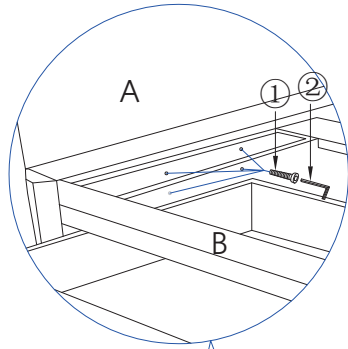


Diagram II

