

RHTEEN

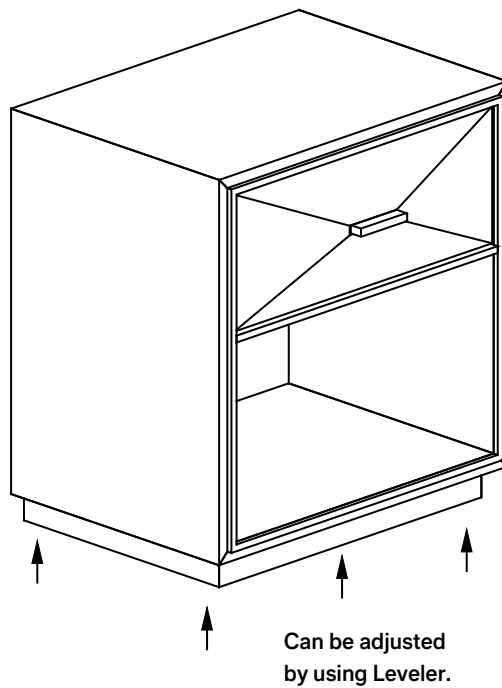
MIRANDA NIGHTSTAND INSTRUCTIONS

PARTS INCLUDED

A [1] NIGHTSTAND

ASSEMBLY INSTRUCTIONS:

THE ADJUSTABLE LEVELERS SHOULD BE USED WHEN THE OBJECT IS PLACED ON AN UNEVEN FLOOR.



CARE INSTRUCTIONS:

1. DUST OFTEN USING A CLEAN, SOFT, DRY LINT-FREE CLOTH.
2. BLOT SPILLS IMMEDIATELY, AND WIPE WITH A CLEAN, DAMP CLOTH.
3. WE DO NOT RECOMMEND THE USE OF CHEMICAL CLEANSERS, ABRASIVES, OR FURNITURE POLISH ON OUR LACQUERED FINISH.