

RHBABY&CHILD





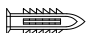
MARCELLE WRITING DESK INSTRUCTIONS

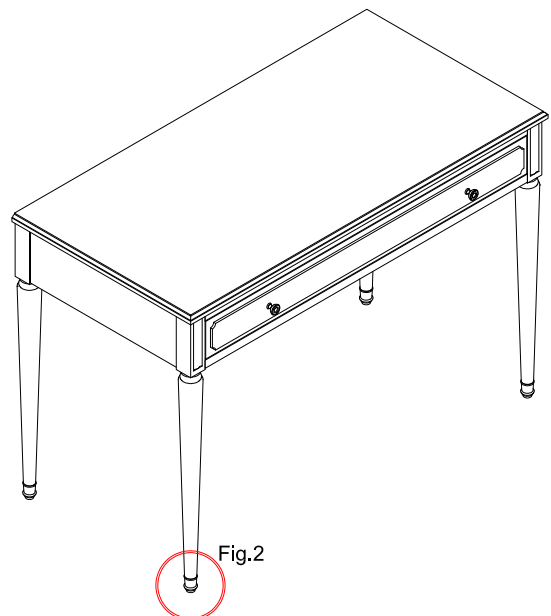
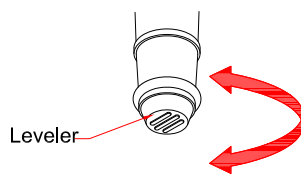
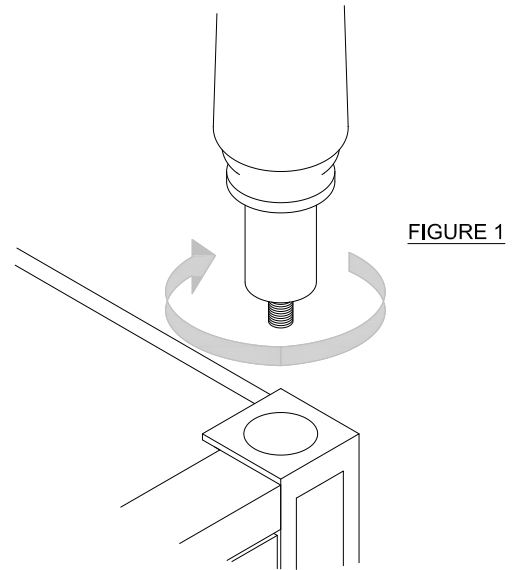
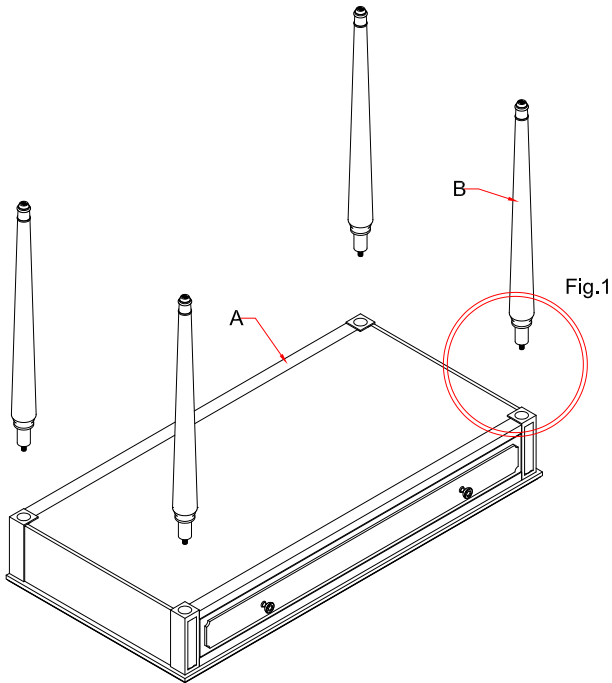
PARTS INCLUDED

- A [1] DESK TOP
- B [4] LEGS

ASSEMBLY INSTRUCTIONS

1. Carefully, lay the Desk Top (A) upside down on soft flat surface.
 Note: On the bottom of the Top are holes with pre-installed nuts that correspond to the threaded rods in the legs.
2. Align and insert the threaded rods of the legs into the holes and turn clockwise to tighten. Please see FIGURE 1.
 Note: do not over tighten.
3. After assembly, gently lift the Furniture into upright position. Check the leveling, and adjust the levelers underneath the legs if necessary. See FIGURE 2.

NO.	ITEM	DESCRIPTION	QTY.
1		Plastic Bracket	4 pcs.
2		Restraint Strap	2 pcs.
3		Phillips Screws M4 x 30mm	4 pcs.
4		Phillips Screws M4 x 20mm	4 pcs.
5		Plastic Anchor	4 pcs.



RH BABY & CHILD

MARCELLE WRITING DESK INSTRUCTIONS

FURNITURE TIPPING RESTRAINT INSTRUCTIONS

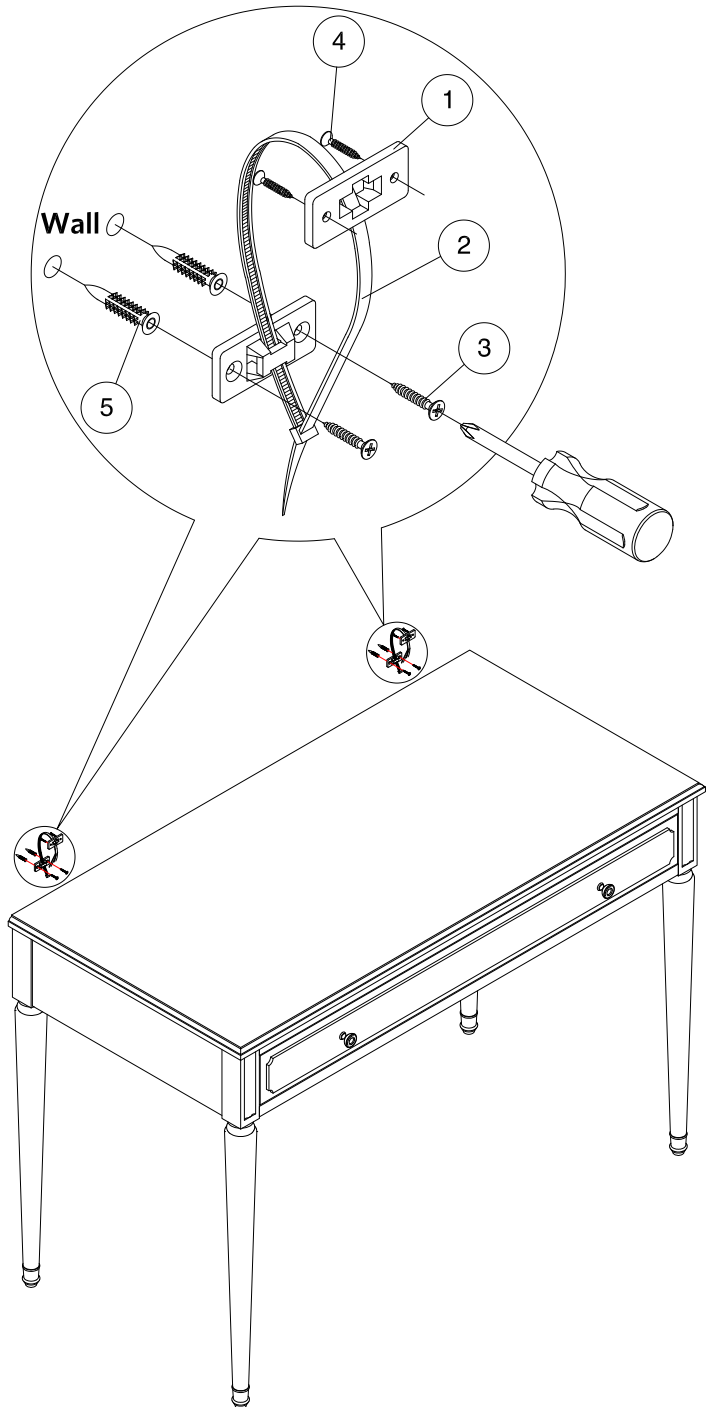
Young children may be injured by tipping furniture. The use of a tipping restraint is highly recommended.

When properly installed, this restraint could provide protection against the unexpected tipping of furniture due to small tremors, bumps or climbing. We recommend mounting this restraint to a wall stud.

WARNING: This product is only a deterrent. It is not a substitute for proper adult supervision.

INSTALLATION INSTRUCTIONS

1. Attach two of the mounting brackets (1) near the top back edge of the dresser by inserting the shorter screws (4).
2. Determine the final position of the dresser. Mark locations on the wall approximately 2" below the brackets mounted to the back of the dresser.
3. Drill a shorter hole into the wall stud. If wall stud is not available, drill a hole into the wall and insert plastic anchor (5). Gently tap the anchor until the flange is flush with the wall.
4. Attach the second set of brackets (1) by inserting the longer screw (3) through the bracket (1) and into the wall.
5. Place the furniture so that the brackets on the back edge are in line with the brackets in the wall.
6. Lace one end of the nylon restraint strap (2) down through each bracket. Bring both ends together and slide the beaded end until it snap locks into the keyhole slot.
7. To double lock; return the beaded end back through the keyholes as shown.
8. Check to make sure the straps are securely laced and locked to the brackets.
9. Repeat all above step for attach other tip-kit position.



CARE INSTRUCTIONS

1. Dust often using a clean, soft, dry and lint-free cloth.
2. Blot spills immediately and wipe with a clean, damp, cloth.
3. We do not recommend the use of chemical cleansers, abrasives or furniture polish on our lacquered finish.

IMPORTANT SAFETY INSTRUCTIONS

1. Please read all instructions carefully before assembling.
2. For your safety, assembly by two or more adults is strongly recommended.
3. Keep instructions for future use.
4. Use only vendor supplied hardware to assemble. Using unauthorized hardware could jeopardize the structural integrity of the item.