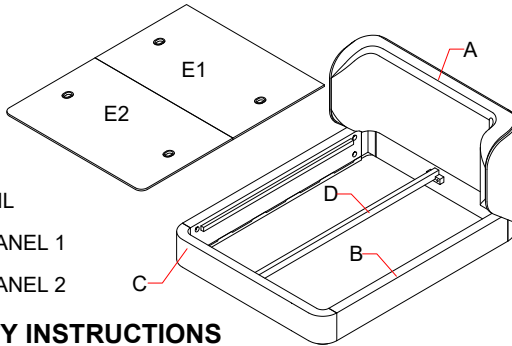


RH BABY & CHILD RH TEEN

MADERO FULLY UPHOLSTERED BED - FULL - ASSEMBLY INSTRUCTIONS

PARTS INCLUDED

- A [1] HEADBOARD
- B [2] SIDE RAILS
- C [1] FOOTBOARD
- D [1] SUPPORT RAIL
- E1 [1] PLATFORM PANEL 1
- E2 [1] PLATFORM PANEL 2



HARDWARE INCLUDED

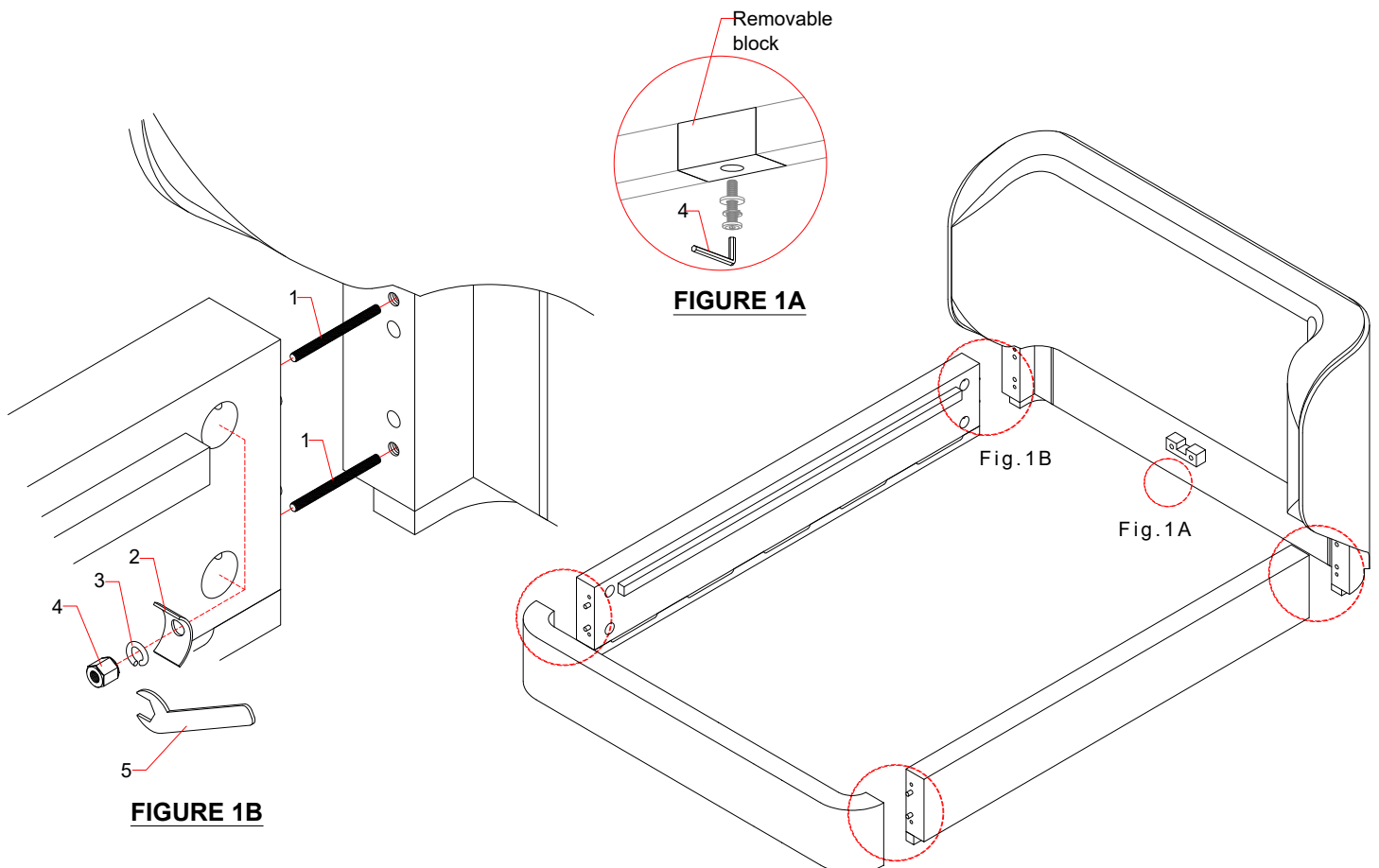
NO.	SKETCH	DESCRIPTION	SPECIFICATION	QTY.
1		Threaded Rod	M8 x 100mm	8 pcs.
2		Curved Washer	15 x 8.5 x 2mm	8 pcs.
3		Lock Washer	Ø14 x Ø9 x 2mm	8 pcs.
4		Hex Nut	M8 x H15 x D14mm	8 pcs.
5		Spanner Wrench	D14.5 x 100mm	2 pcs.
6		Allen wrench	110 x 28 x D4mm (K4)	1 pc.

IMPORTANT SAFETY INSTRUCTIONS

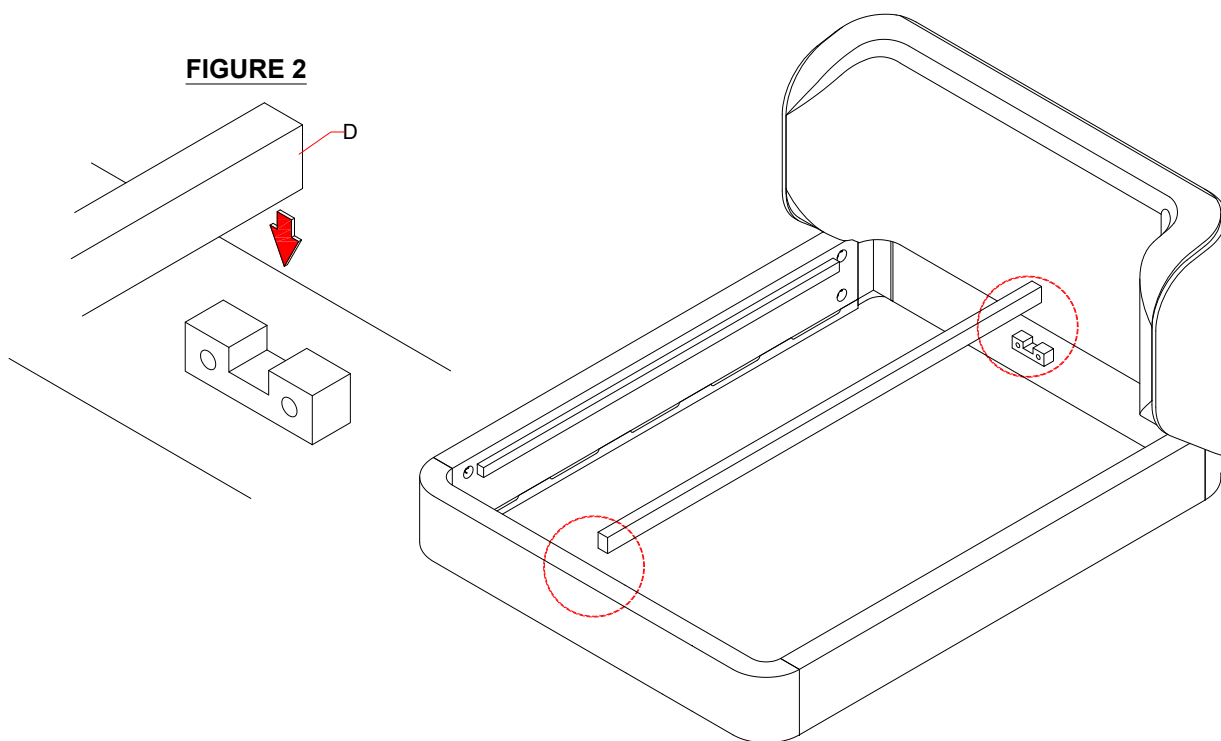
- Please read all instructions carefully before assembling.
- For your safety, assembly by two or more adults is strongly recommended.
- Keep instructions for future use.
- Use only vendor-supplied hardware to assemble. Using unauthorized hardware could jeopardize the structural integrity of the item.

ASSEMBLY INSTRUCTIONS

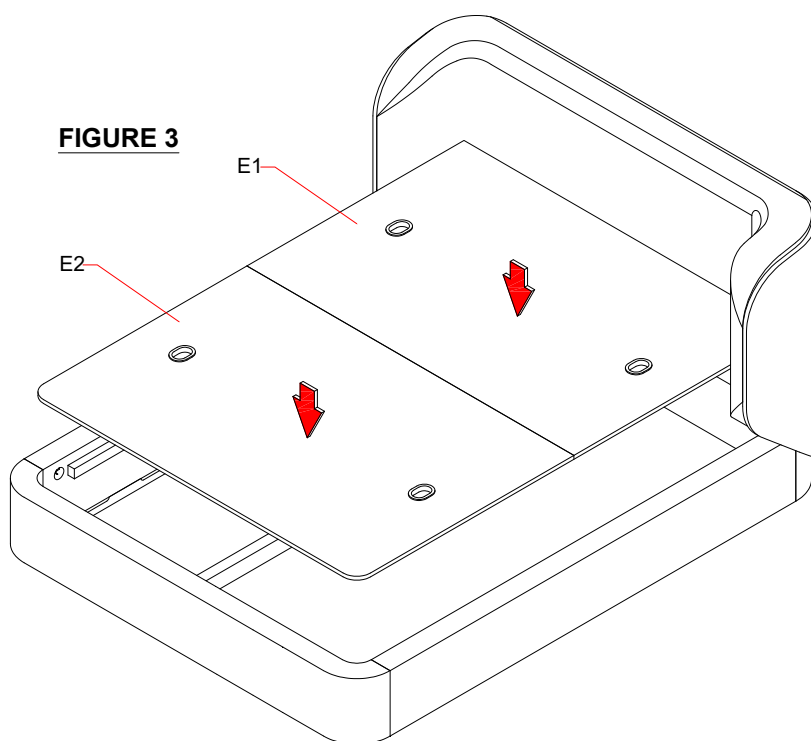
- Place the headboard (A) upright in the position you wish the bed to be in when fully assembled.
- There is a removable block at the bottom of the headboard. Use the Allen wrench (6) to loosen the bolt if you want remove it. See **FIGURE 1A**.
- Secure the threaded rod (1) to the fixed nut on the headboard (A) by simply turning it manually.
- Raise the side rail (B) up and place the rod (1) to align with the bore holes on the end of the side rail (B). Put the side rail (B) up against the headboard (A) so the threaded rods (1) go through the bore holes. Insert curved washer (2), lock washer (3) and place hex nuts (4) on threaded rod (1) then tighten the hex nuts (4) with wrench (5), as illustrated in **FIGURE 1B**.
- Repeat the above procedure with the other side rail (B) to attach it to the headboard (A), and then repeat to connect side rails (B) to the footboard (C).



6. On inside of both headboard (A) and footboard (C) are pre-installed brackets for the support rail (D). Set the support rail (D) on the bracket, as illustrated in **FIGURE 2**.



7. Set the platform panel (E1/E2) on the support rails. See **FIGURE 3**.



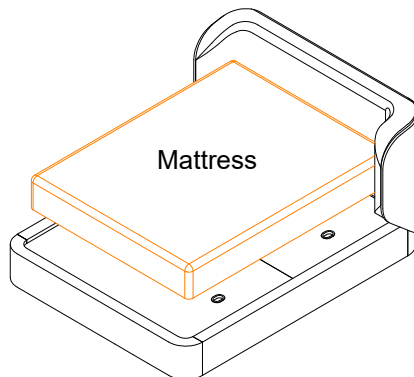
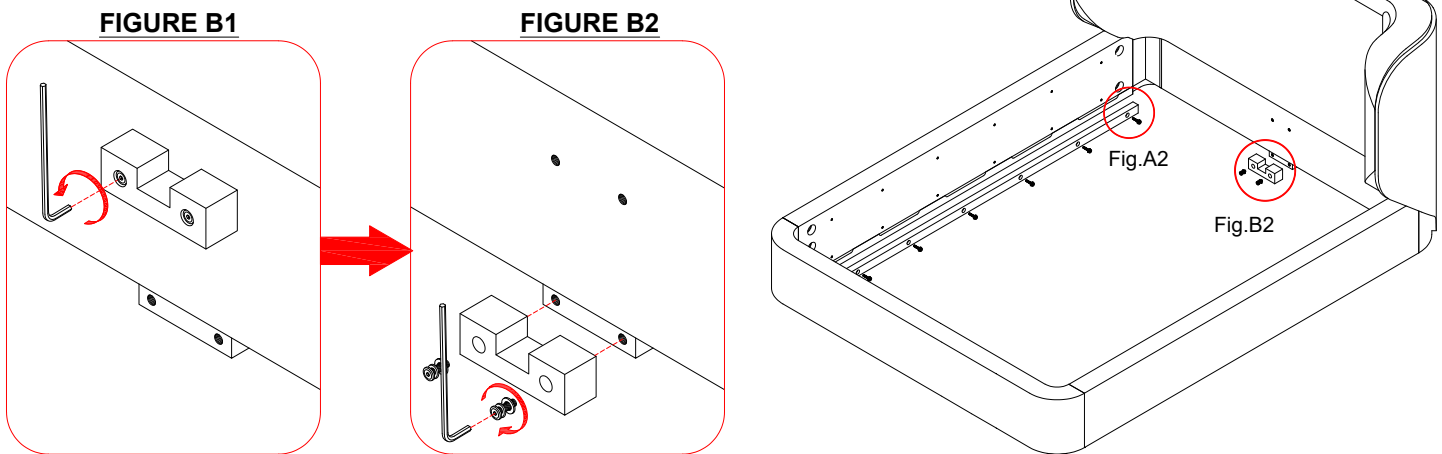
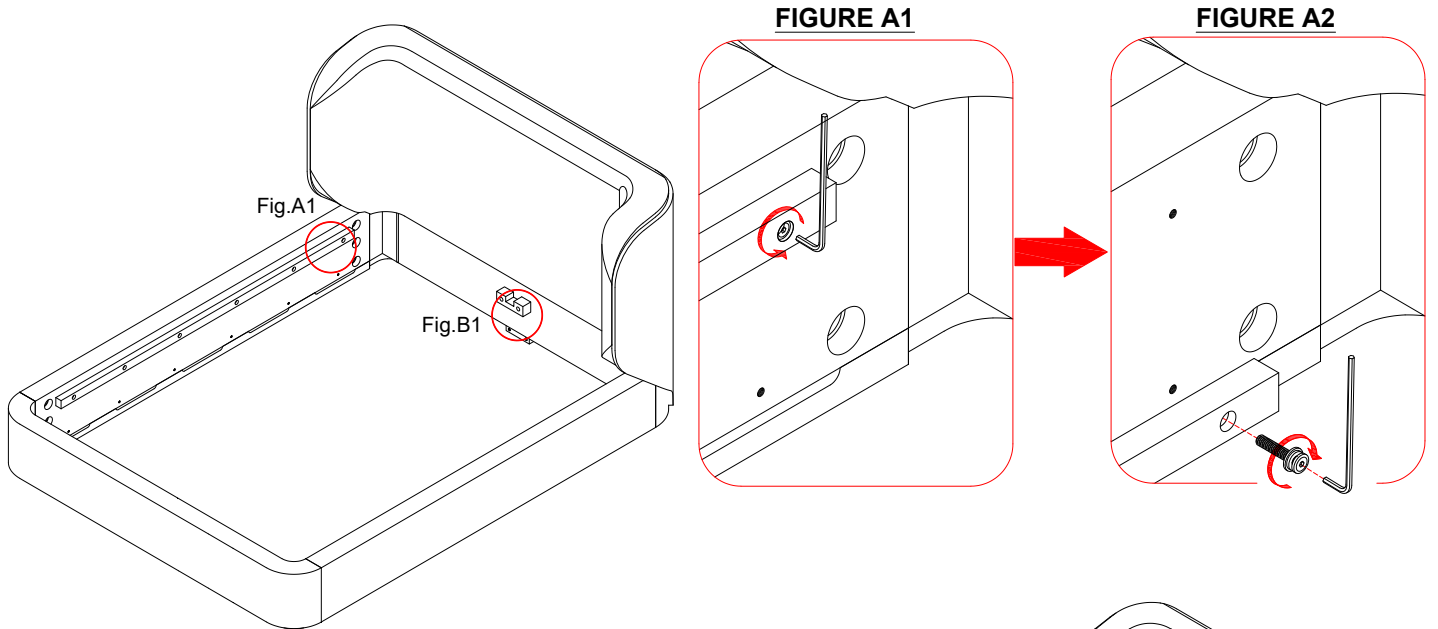
SET UP THE HEIGHT OF THE MATTRESS

A. USING MATTRESS WITHOUT BOX SPRING: Be default, the slats are installed at the highest position for using the bed without a box spring.

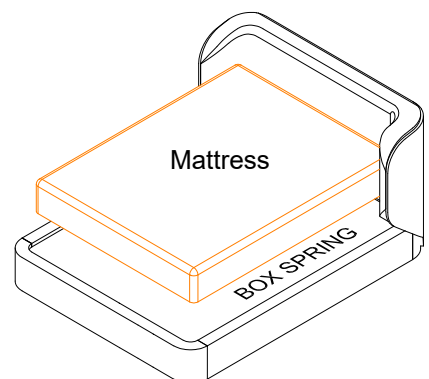
B. USING MATTRESS WITH BOX SPRING: To use the bed with a box spring, move all bed slats to the lower position by following the steps below.

(Before starting this step, remove all slats and support slat from the assembled bed.)

- Unscrew all bolts on the slat support rail. Then move the slat support rail to the lower setting and re-install the bolts to secure the slat support rail to the side rail. See illustration in **FIGURE A1 - A2**.
- Unscrew all bolts on the metal brackets of the headboard and footboard. Then move the metal brackets to the lower setting and re-install the bolts to secure the metal bracket to the headboard and footboard. See illustration in **FIGURE B1 - B2**.



**MATTRESS WITHOUT
BOX SPRING**



**MATTRESS WITH
BOX SPRING**

CARE INSTRUCTIONS

1. Dust often using a clean, soft, dry cloth.
2. Blot spills immediately and wipe with a clean, damp cloth.
3. We do not recommend the use of chemical cleaners, abrasives or furniture polish, as they may damage the finish.