








LORIN OPEN SHELVING - ASSEMBLY INSTRUCTIONS

PARTS INCLUDED

A [1] OPEN SHELVING

NO.	ITEM	DESCRIPTION	QTY.
1		Metal cord	1 pc.
2		Metal bracket	2 pc.
3		Clevis pin	2 pcs.
4		Hair pin	2 pcs.
5		Stainless steel screw	2 pcs.
6		Toggle bolt	2 pcs.
7		Screwdriver	not included

CARE INSTRUCTIONS

1. To clean, use a soft, dry or damp cloth.
2. Do not use any abrasive cleaners.

IMPORTANT SAFETY INSTRUCTIONS

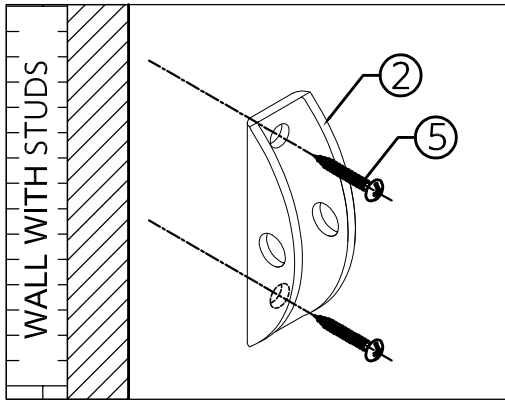
1. Professional assembly is strongly recommended.
2. For your safety, it is recommended that at least two adults assemble the shelving.
3. These instructions are provided for your safety. It is important that they are read carefully and completely before assemble the shelving.

ANTI-TIP KIT INSTALLATION INSTRUCTIONS

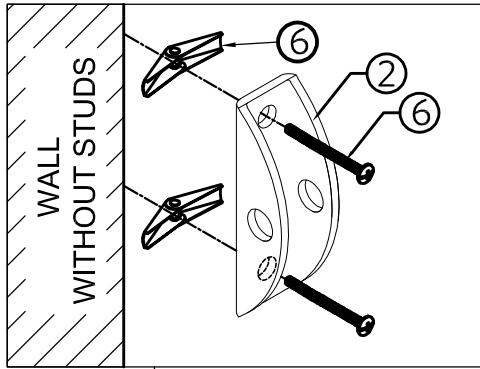
ATTACH TO WALL STUD WHERE POSSIBLE
OR
HAVE A PROFESSIONAL ATTACH TO MASONRY OR CONCRETE WALLS

1. Unpack all parts and place them on a protected work surface.
Determine the final position of the shelving. Position the metal bracket (2) on the wall stud approximately 2" below the metal bracket mounted to the back of the shelving. Mark and drill pilot hole into the center of stud with 3/32" drill bit. Attach metal bracket (2) onto the wall by using stainless steel screws (5) (Detail A). If the stud cannot be located, use toggle bolts (6) (Detail B).
2. Move the shelving into position where the brackets on the back edge are in line with the brackets on the wall.
3. Insert the clevis pin (3) through the holes on the brackets and on metal cord (1). Use hair pin (4) to go through the small hole in the clevis pin (3) to lock it (Detail C).
4. Repeat above step to attach the end of metal cord (1) to the metal bracket on the wall (DETAIL C).
5. Check to make sure the metal cord is securely laced and locked to the brackets.

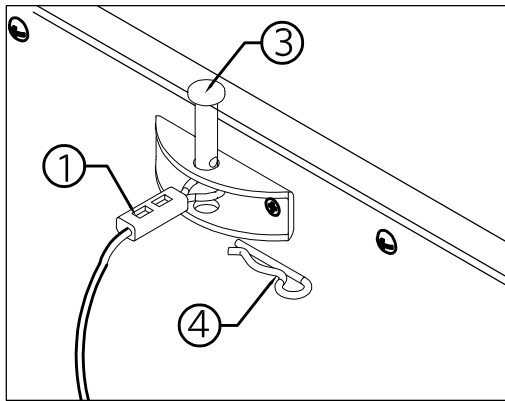
LORIN OPEN SHELVING - ASSEMBLY INSTRUCTIONS



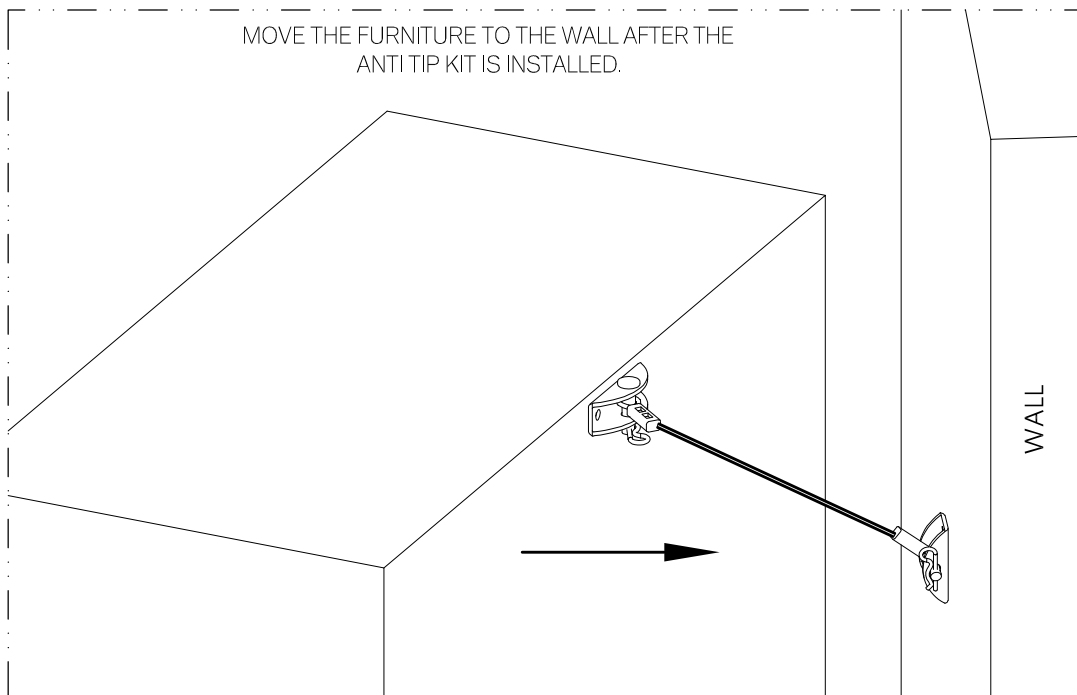
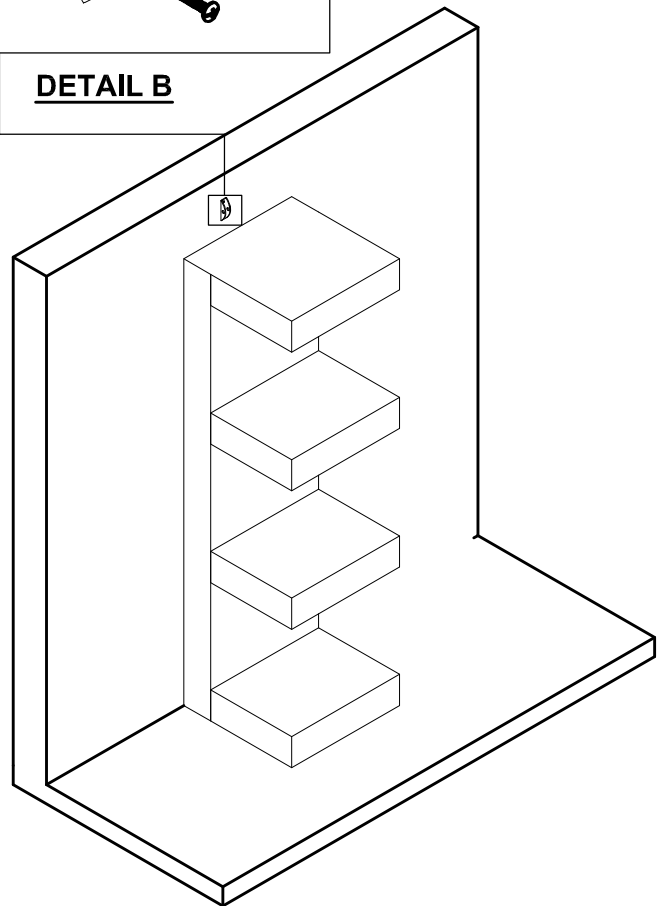
DETAIL A



DETAIL B

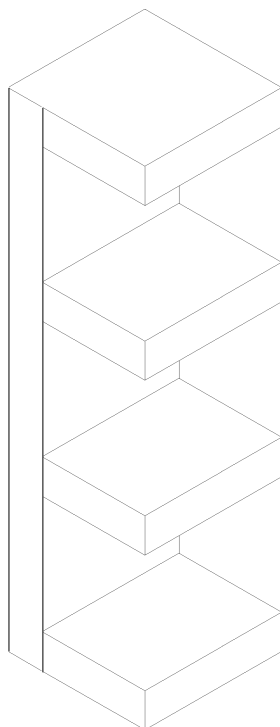
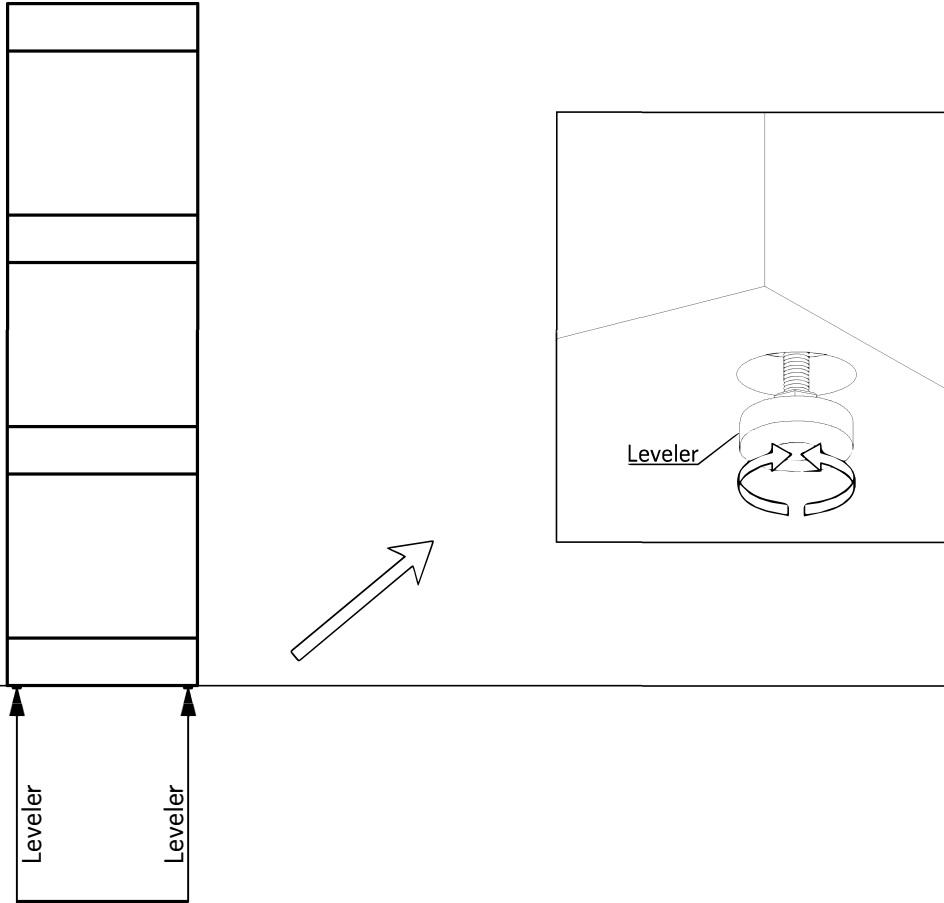


DETAIL C



LORIN OPEN SHELVING - ASSEMBLY INSTRUCTIONS

When the furniture is installed and in position, the levelers at the bottom of the feet may need adjusting to make sure the furniture is level. If adjustment is needed, the screws (5) in wall bracket (2) can be loosened to allow some movement. When the leveling is complete, the screws can be retightened.



ASSEMBLED