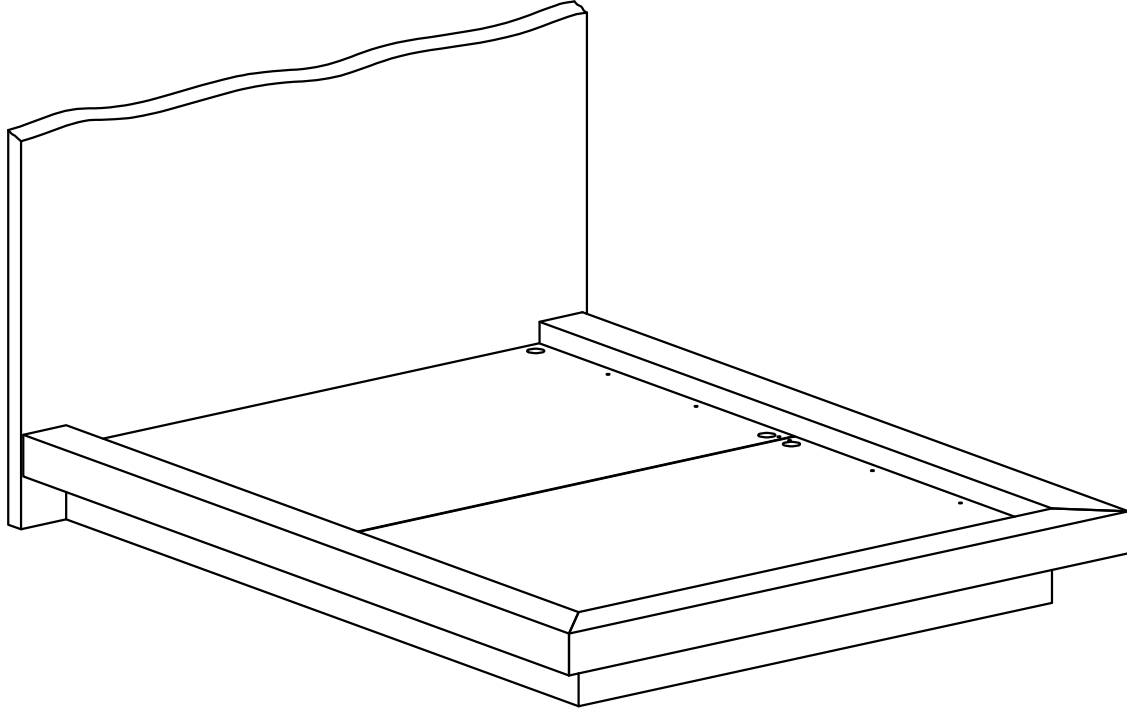


RH TEEN

LORIN LIVE-EDGE PANEL BED - ASSEMBLY INSTRUCTIONS



WARNING: Read all instructions before assembling this product. **KEEP INSTRUCTIONS FOR FUTURE USE.**



CUSTOMER SERVICE

If you are missing parts or have any questions about this product, contact us first. You can also order parts by writing to the address below. Include the product model number, color, and a brief description of the part.
Call 1-800-762-1005.

Distributed in the U.S.A by:
RH Baby&Child
2900 N MACARTHUR DRIVE
TRACY, CA 95376
www.rhbabyandchild.com

Distributed in Canada by:
RH Canada, Inc.
1500-1055 West Georgia Street
Vancouver, British Columbia
V6E4N7

CARE AND CLEANING

DO NOT scratch or chip the finish. DO NOT use abrasive chemicals for cleaning. Dust often using a clean, soft, dry cloth. Blot spills immediately and wipe with a clean, damp cloth. If the bed is to be stored, store in a cool, dry place and carefully package all original hardware to protect from loss.

TOOLS AND INSTALLATION

Tools needed: Allen wrench (included)
Wrench (included)
Screwdriver (not included)

Note: It may be easier to assemble product with two people.

NOTE: When inserting bolts, turn clockwise until tight. Then loosen $\frac{1}{2}$ - $\frac{3}{4}$ of a turn. After bed is completely assembled, return to each bolt and tighten. Use wax or soap on all bolts to facilitate assembly.

RH TEEN

LORIN LIVE-EDGE PANEL BED - ASSEMBLY INSTRUCTIONS

PARTS INCLUDED

- A. HEADBOARD (1)
- B. FOOTBOARD (1)
- C. SIDE RAILS (2)
- D. SLATS (5)
- E. SLAT SUPPORT (1)
- F. PLATFORM PANELS (2)

CARE INSTRUCTIONS

To clean, use a damp cloth. Do not use abrasives.









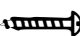


IMPORTANT SAFETY INSTRUCTIONS

Professional installation is strongly recommended. For your safety, it is recommended that two people assemble the bed.

These instructions are provided for your safety. It is important that they are read carefully and completely before assembling the bed.

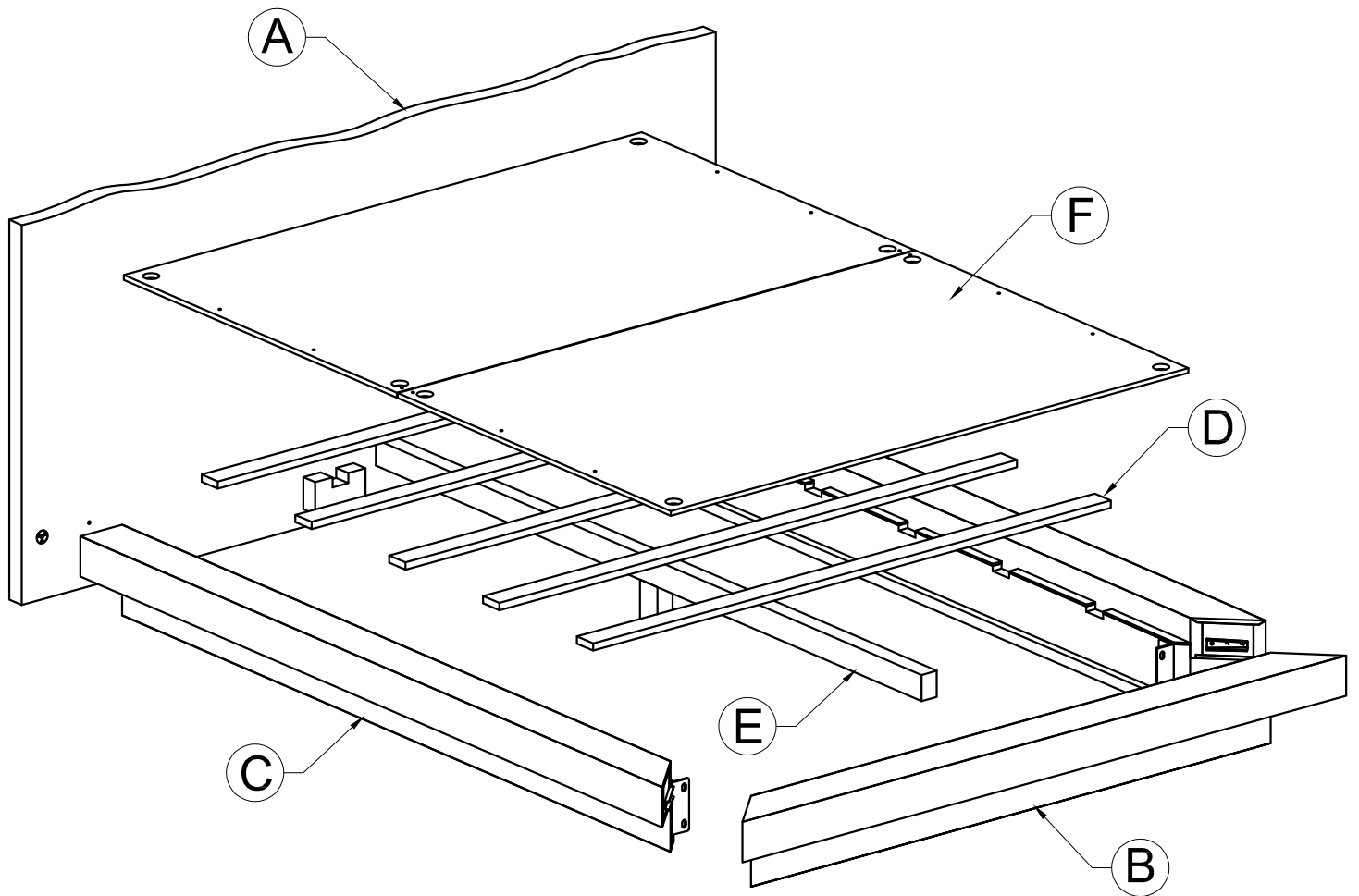
ASSEMBLY INSTRUCTIONS

1. Unpack all parts and place them on a protected work surface.
2. Install side rails (C) onto the footboard (B) using steel bolts (7), spring washers (3) and flat washers (6) as shown in Detail A. Check that the bolts are fully tightened.
3. Install side rails (C) onto the headboard (A) using steel bolts (7), spring washers (3) and flat washers (6) as shown in Detail B. For underneath the side rails, use bolts (1), spring washers (3) and curved washers (2). See Detail C. Check that the bolts are fully tightened.
4. Install slat support (E).
5. Install slat rails (D).
6. Install platform panels (F).
7. Assembly is complete.

NO.	ITEM	DESCRIPTION	QTY.
1		BOLTS M8x100	2 pcs
2		CURVED WASHERS	2 pcs.
3		SPRING WASHERS	10 pcs.
4		NUTS M8	2 pcs.
5		WRENCH No.12	1 pc.
6		FLAT WASHERS	8 pcs.
7		STEEL BOLTS	8 pcs.
8		Wooden screws Ø4x20	12 pcs.
9		Wooden screws Ø4x25	20 pcs.
10		Screwdriver	Not included
11		WRENCH No.13	1 pc.

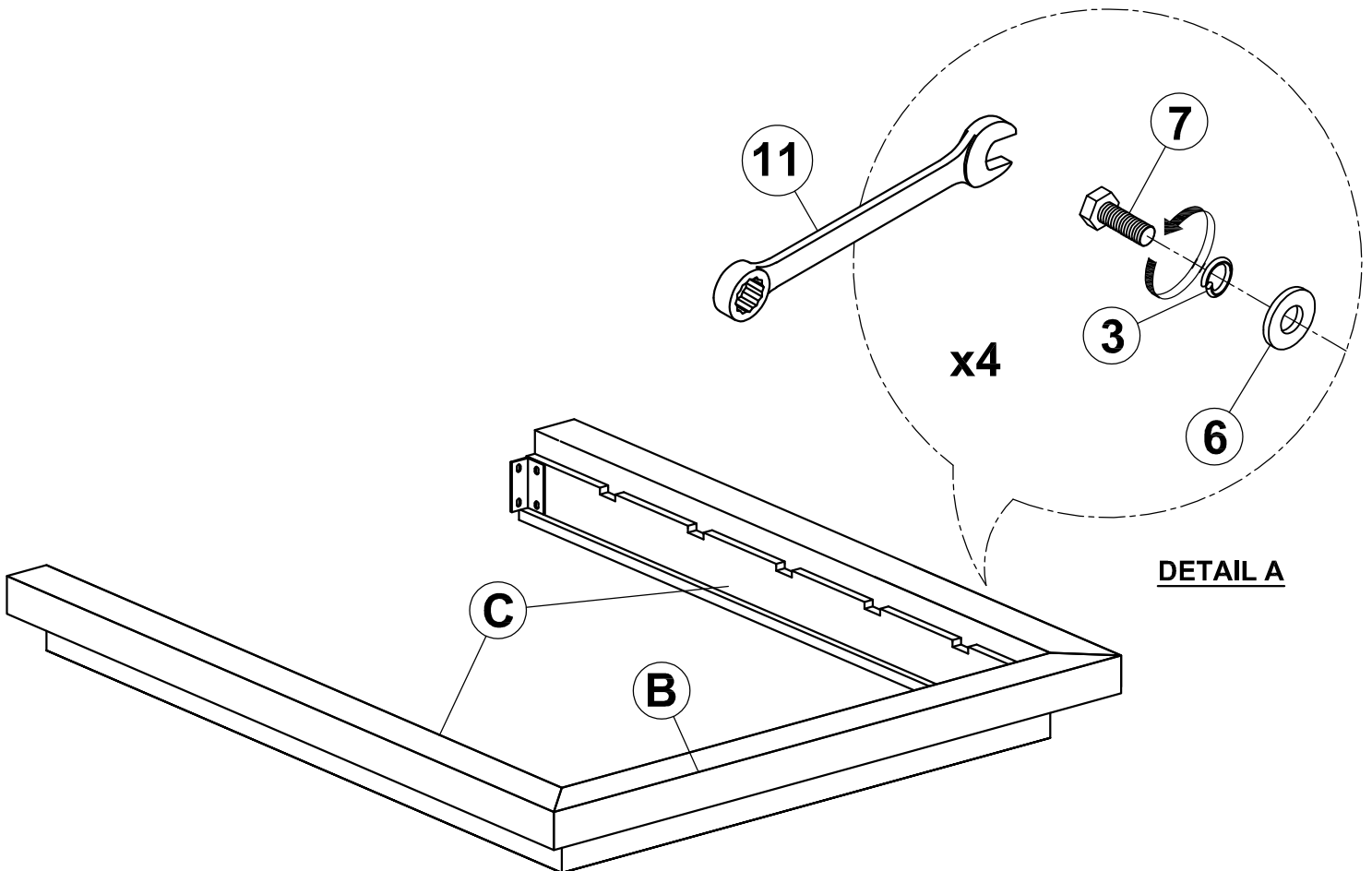
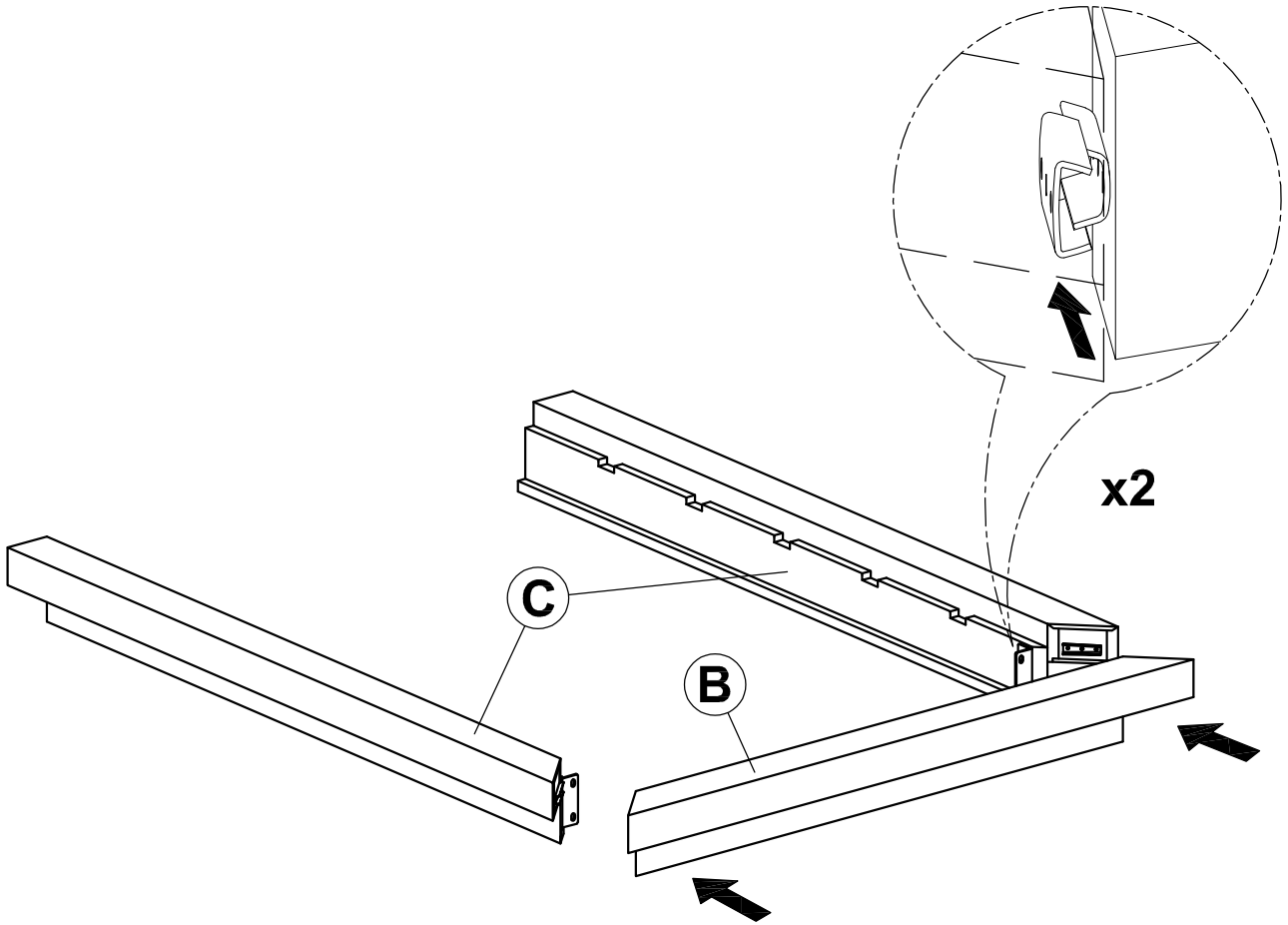
RH TEEN

LORIN LIVE-EDGE PANEL BED - ASSEMBLY INSTRUCTIONS



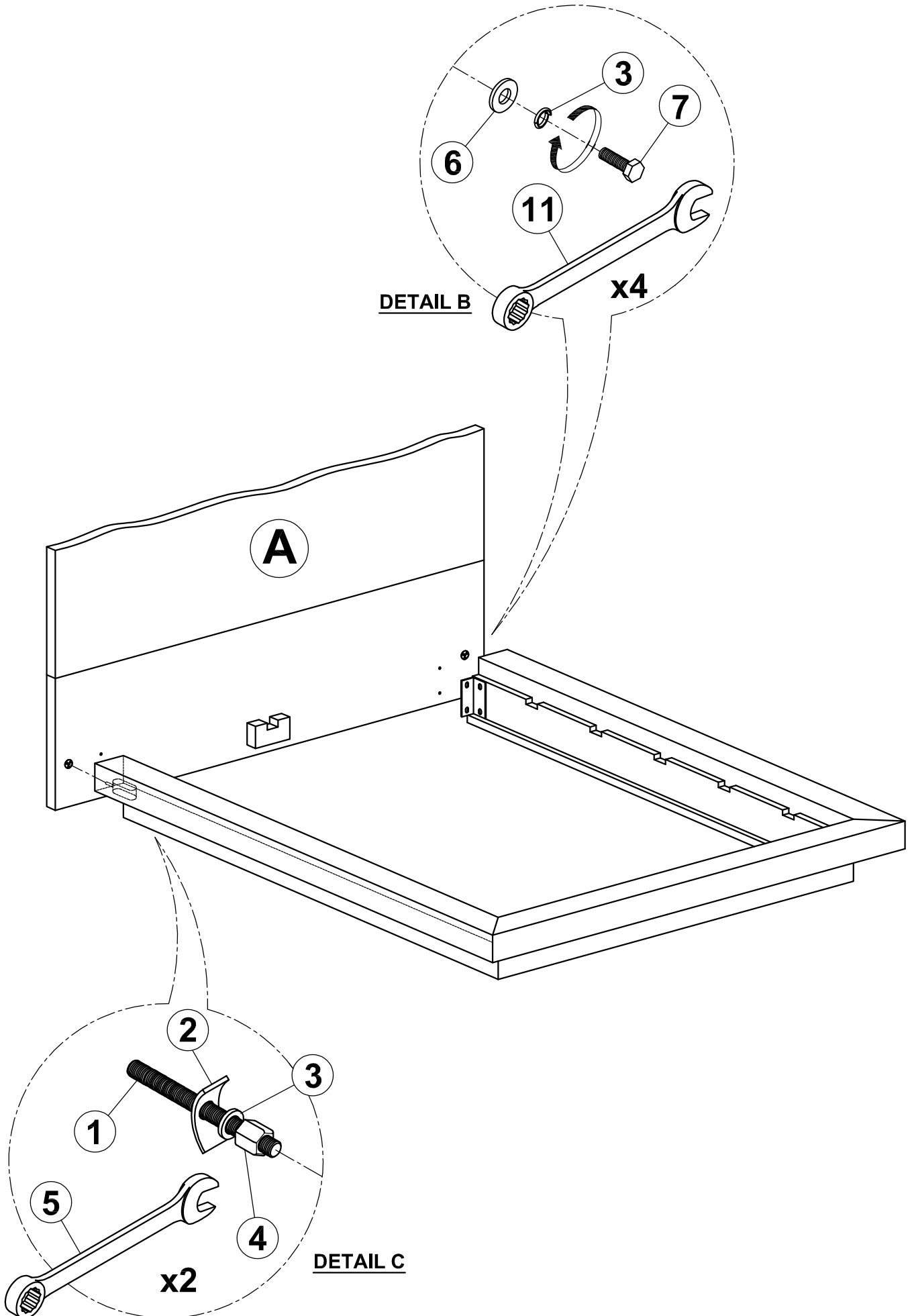
RH TEEN

LORIN LIVE-EDGE PANEL BED - ASSEMBLY INSTRUCTIONS



RH TEEN

LORIN LIVE-EDGE PANEL BED - ASSEMBLY INSTRUCTIONS



RH TEEN

LORIN LIVE-EDGE PANEL BED - ASSEMBLY INSTRUCTIONS

