

RHTEEN

LAGUNA TWIN LOFT BED - ASSEMBLY INSTRUCTIONS

All RH loft and bunk beds are designed to meet the highest safety standards and comply with all U.S. and Canadian loft and bunk bed regulations.



WARNING: Read all instructions before assembling this product. **KEEP INSTRUCTIONS FOR FUTURE USE.**



CUSTOMER SERVICE

If you are missing parts or have any questions about this product, contact us first. You can also order parts by writing to the address above. Include the product model number, color, and a brief description of the part. Or call 1-800-762-1751.

CARE AND CLEANING

DO NOT scratch or chip the finish. DO NOT use abrasive chemicals for cleaning. Dust often using a clean, soft, dry cloth. Blot spills immediately and wipe with a clean, damp cloth. If the bed is to be stored, store in a cool, dry place and carefully package all original hardware to protect from loss.

TOOLS NEEDED

Allen key (included)

Wrench (included)

Screwdriver (not included)

Note: Two people are recommended for assembly.

NOTE: When inserting bolts, turn clockwise until tight. Then loosen $\frac{1}{2}$ - $\frac{3}{4}$ of a turn. After bed is completely assembled, return to each bolt and tighten.

Use wax or soap on all bolts to facilitate assembly.

RHTEEN

LAGUNA TWIN LOFT BED - ASSEMBLY INSTRUCTIONS

IMPORTANT SAFETY INFORMATION

1. Follow the information on the WARNING label attached to the loft and on the packaging.
2. Always use the specified mattress size, mattress support, or both to help prevent the likelihood of entrapment or falls.
3. Surface of mattress must be at least 5 inches below the upper edge of guardrails on the loft.
4. Do not allow children under 6 years of age to use the loft.
5. Prohibit more than one person on the loft.
6. Periodically check and ensure that the guardrails, ladder, and other components are in their proper position, free from damage, and that all connectors are tight.
7. Do not allow horseplay on or under the bed and prohibit jumping on the bed.
8. Always use the ladder for entering and leaving the loft.
9. Do not use substitute parts. Contact RH for replacement parts.
10. Use of a night light may provide added safety precaution for a child using the loft.
11. Use guardrails on both sides of the loft.
12. If the bed will be placed next to a wall, the guardrail that runs the full length of the bed should be placed against the wall to prevent entrapment between the bed and the wall.
13. The use of a water flotation mattress is prohibited.
14. **STRANGULATION HAZARD** - Never attach or hang items to any part of the bed that are not designed for use with the bed, such as hooks, belts, and jump ropes.
15. Keep these instructions for future reference.
16. **DO NOT** remove warning label from bed.



WARNING

TO HELP PREVENT SERIOUS OR FATAL INJURIES FROM ENTRAPMENT OR FALLS:

1. Never allow a child under 6 years of age on the loft.
2. Use a mattress that is 38"W x 75"L x 6"H on Twin loft bunk.
3. Ensure height of mattress does not exceed 6" and mattress is at least 5" below upper edge of guardrails.
4. Use guardrails on both sides of the loft.
5. Use ladder for entering and leaving the loft.
6. Prohibit horseplay on or under bed.
7. Do not allow more than one person on the loft.
8. If the bed will be placed next to a wall, be sure the adjacent guardrails run the full length of the bed.

STRANGULATION HAZARD

9. Never attach or hang items to any part of the bed that are not designed for use with the bed, such as hooks, belts, and jump ropes.

DO NOT REMOVE THIS LABEL

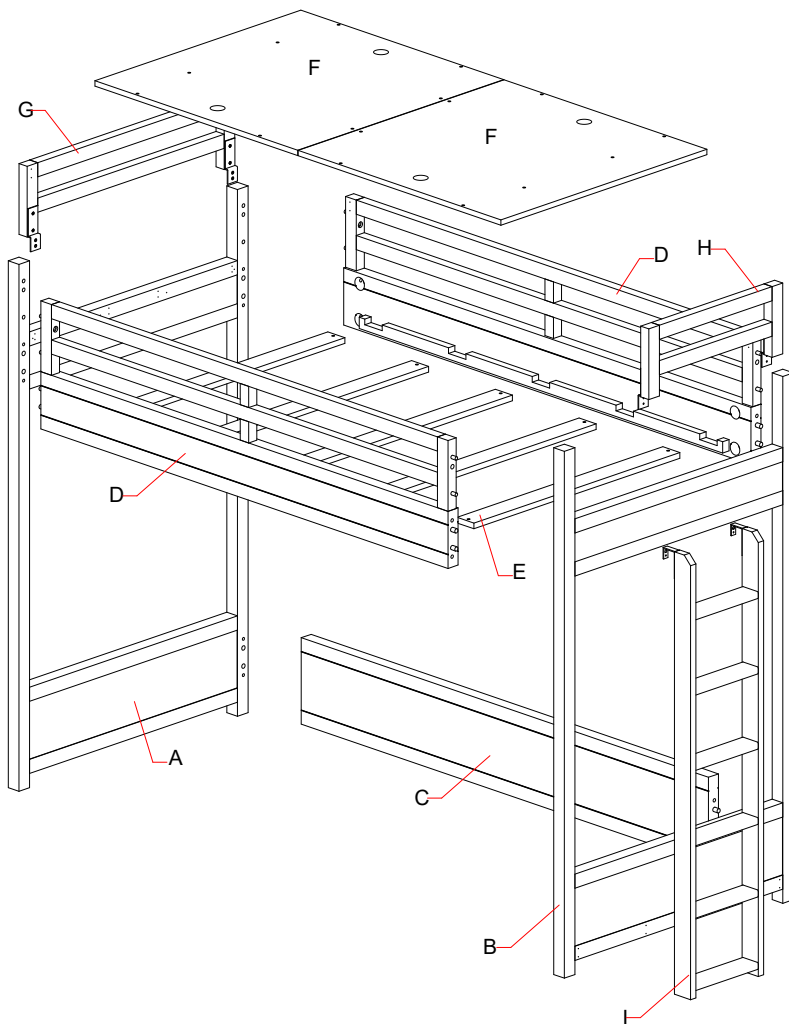
RHTEEN

LAGUNA TWIN LOFT BED - ASSEMBLY INSTRUCTIONS






COMPONENT IDENTIFICATION AND HARDWARE

PARTS INCLUDED


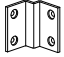

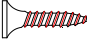
- A [1] HEADBOARD
- B [1] FOOTBOARD
- C [1] LOWER SIDE RAIL
- D [2] UPPER SIDE RAILS
- E [5] BED SLATS
- F [2] PLATFORM PANELS
- G [1] LONG GUARDRAIL
- H [1] SHORT GUARDRAIL
- I [1] LADDER




HARDWARE FOR UPPER AND LOWER SIDE RAILS

NO.	ITEM	DESCRIPTION	QTY.
1		Threaded Rod	12 pcs.
2		Curved Washer	12 pcs.
3		Lock Washer	12 pcs.
4		Hex Nut	12 pcs.
5		Wrench	1 pc.





HARDWARE FOR GUARDRAILS AND LADDER

NO.	ITEM	DESCRIPTION	QTY.
6		Phillips Flathead Screw (M4x20mm)	22 pcs.
7		Metal Bracket	3 pcs.
8		Concealed Metal Bracket	2 pcs.
9		Phillips Flathead Screw (M3x15mm)	4 pcs.


HARDWARE FOR SLATS AND PLATFORM PANELS

NO.	ITEM	DESCRIPTION	QTY.
10		Round-head Screw (M4x25mm)	26 pcs.

HARDWARE FOR UPPER SIDE RAILS

NO.	ITEM	DESCRIPTION	QTY.
11		Allen Bolt	4 pcs.
12		Lock Washer	4 pcs.
13		Plain Washer	4 pcs.
14		Allen Key	1 pc.

TOOLS REQUIRED (NOT INCLUDED)

NO.	ITEM	DESCRIPTION	QTY.
15		Phillips Screwdriver	1 pc.

RHTEEN

LAGUNA TWIN LOFT BED - ASSEMBLY INSTRUCTIONS

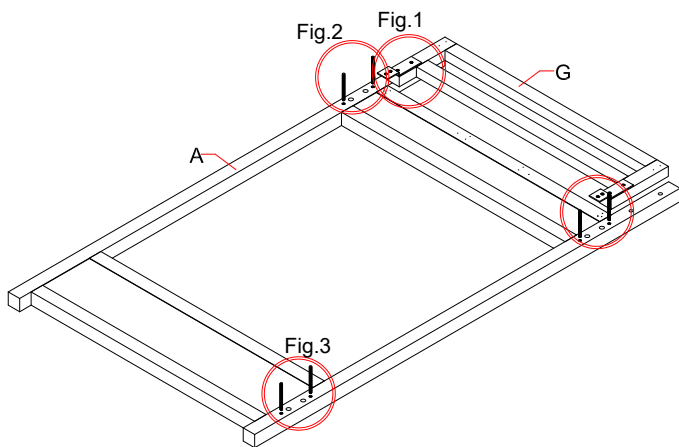
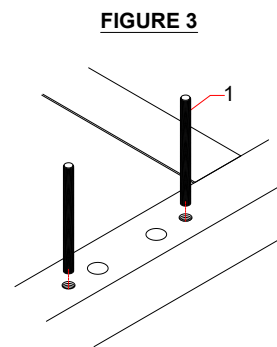
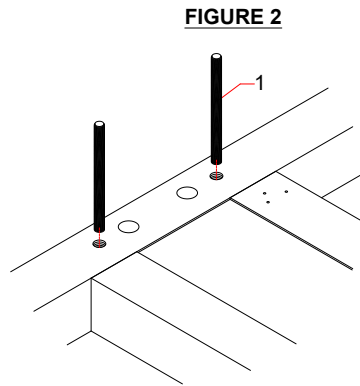
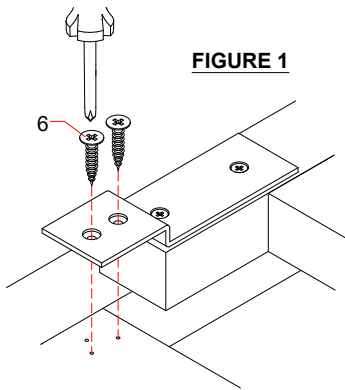
IMPORTANT

These bed parts can be cumbersome and heavy. Two people are therefore recommended for assembly to prevent personal injury and ensure the bed parts are not damaged during the assembly process.

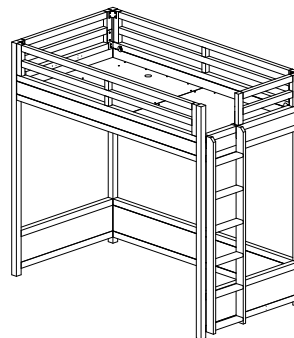
ASSEMBLY INSTRUCTIONS

1. Lay the headboard (A) and footboard (B) on a flat surface.
2. Attach the long guardrail (G) to the headboard (A) and the short guardrail (H) to the footboard (B). Refer to FIGURE 1.
3. Attach the threaded rods (1) into the fixed nuts in the post of the headboard/footboard by turning them manually. See FIGURE 2 and FIGURE 3.

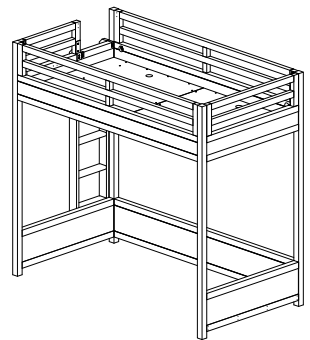
NOTE: The short guardrail can be installed at either end of the headboard or footboard depending on your desired ladder location. When short guardrail (H) is installed into the left side of the headboard or footboard, refer to option A and B. If the guardrail is installed into the right side of the headboard or footboard, refer to option C and D.



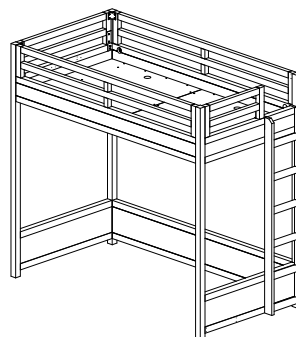
OPTION A



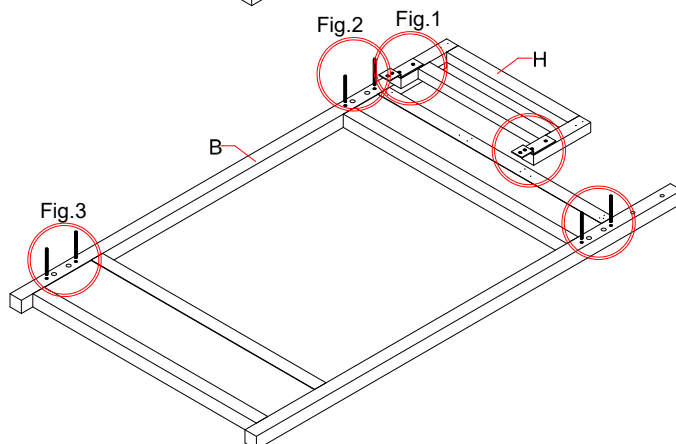
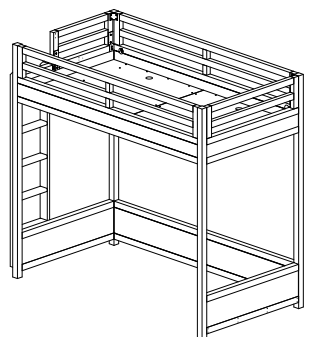
OPTION B



OPTION C



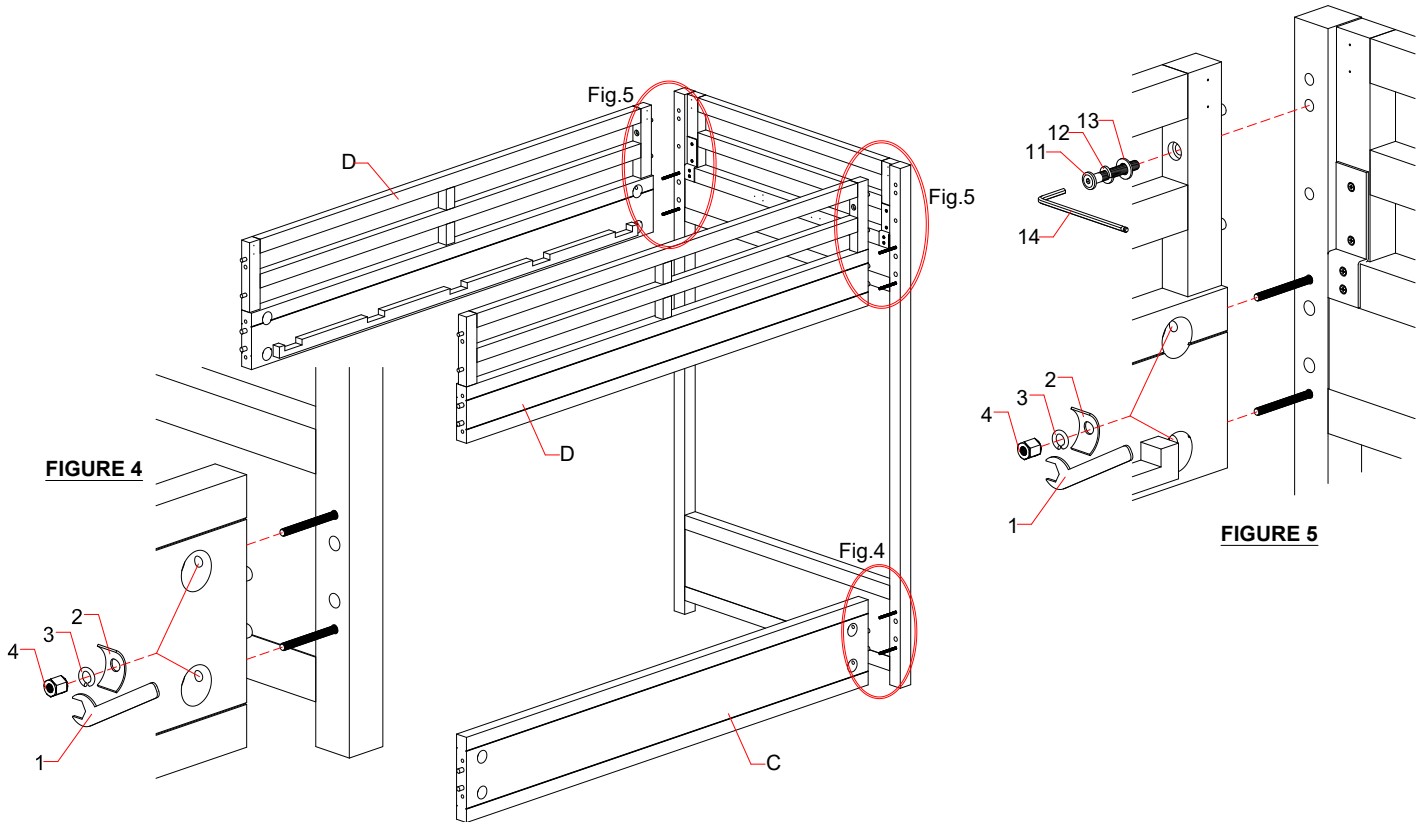
OPTION D



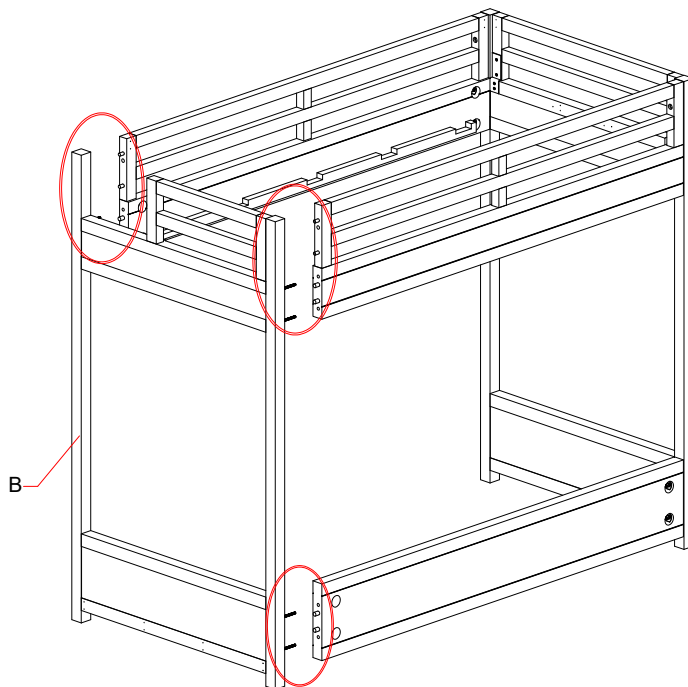
RHTEEN

LAGUNA TWIN LOFT BED - ASSEMBLY INSTRUCTIONS

4. Attach the lower side rail (C) to the headboard (A/G) as shown in FIGURE 4.
5. Bring the upper side rail (D) in upright position and align the threaded rods on the headboard to the corresponding holes in the end of the upper side rail. Attach the upper side rail to the headboard, as shown in FIGURE 5. **KEEP HOLDING THE SIDE RAIL DURING NEXT STEP.**
6. Repeat step 5 to attach the other upper side rail to the headboard. **KEEP HOLDING BOTH UPPER SIDE RAILS DURING NEXT STEP.**



7. Align the threaded rods on the footboard (B/H) to the corresponding holes at the end of lower side rail (C) and upper side rails (D). Align the locator pins on the end of the side rails to the corresponding holes in the footboard. Insert the footboard into the side rails.
8. Repeat steps 4, 5 and 6 to attach the side rails to the footboard.



RHTEEN

LAGUNA TWIN LOFT BED - ASSEMBLY INSTRUCTIONS

9. Attach the metal bracket (7) onto the side rails and guardrails. Insert screws (6) provided to pass through holes on the metal bracket (7) to the pre-drilled holes on side rails and guardrails. Refer to FIGURE 6.

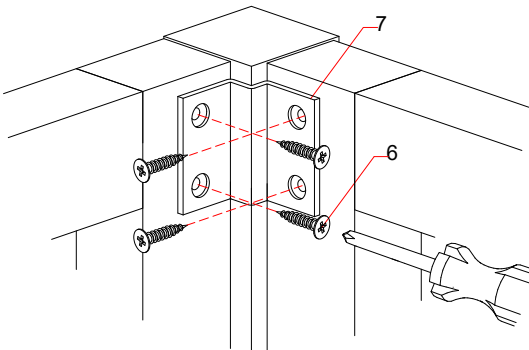
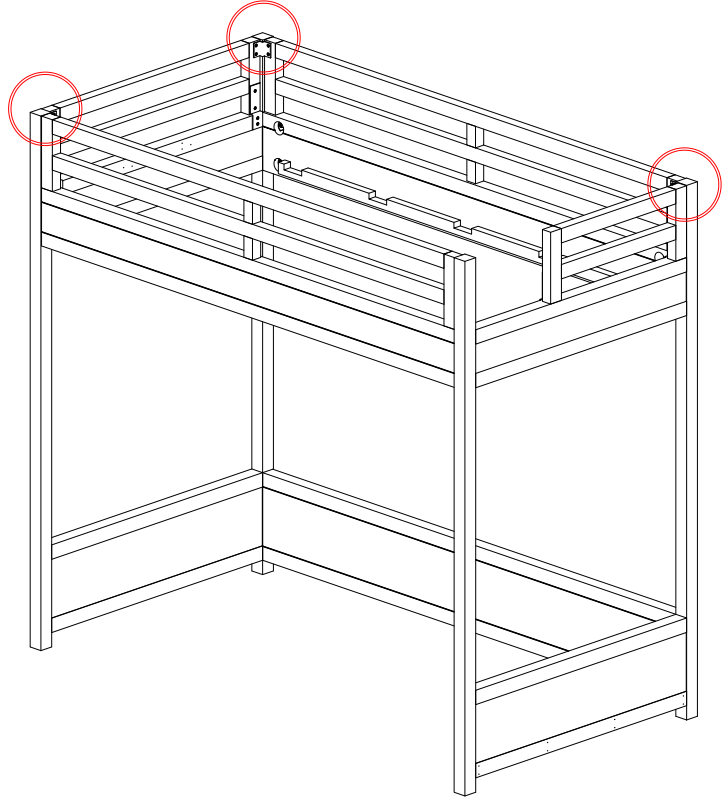


FIGURE 6



10. Set the bed slats (E) into the loft. Secure each slat by using screws (10) provided. See FIGURE 7.

11. For shipping purposes, both of concealed metal brackets (8) were removed and placed in the hardware package. The headboard and footboard have pre-drilled holes where the ladder will be installed. Determine the desired location of the ladder and install the concealed metal bracket (8) into the pre-drilled holes and secure it with the Phillips screws (9) provided. Refer to FIGURE 8.

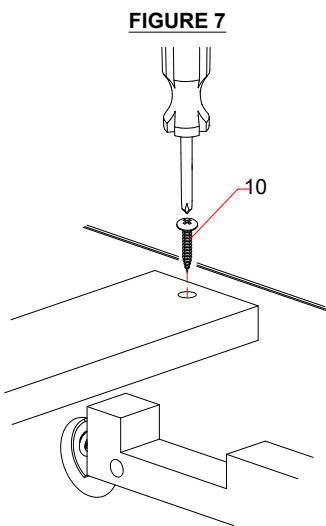


FIGURE 7

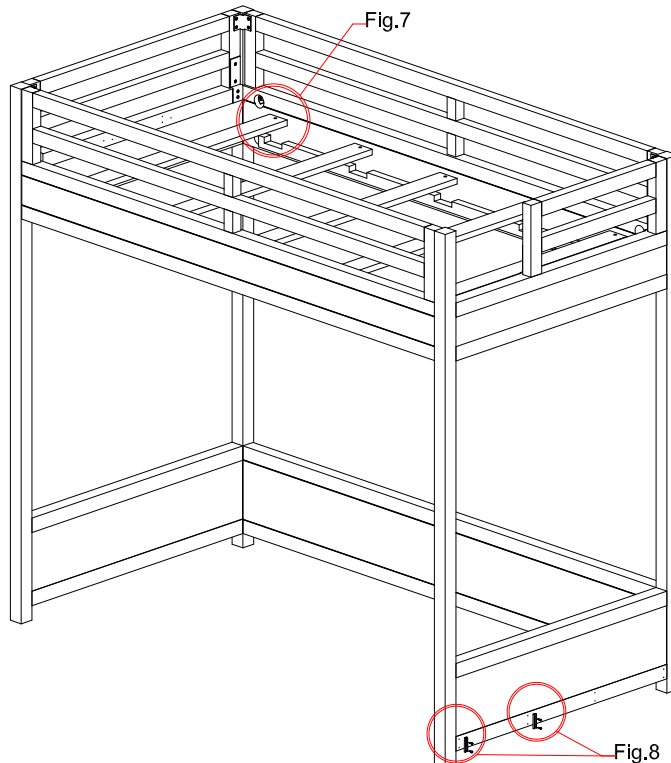
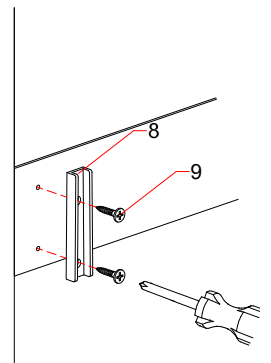


FIGURE 8



RHTEEN

LAGUNA TWIN LOFT BED - ASSEMBLY INSTRUCTIONS

12. Hook the ladder (I) on the footboard and simultaneously align the metal concealed bracket on the ladder with the bracket on the footboard. Use screws (6) provided to affix the top of ladder with footboard as shown in FIGURE 9 and FIGURE 10.

FIGURE 9

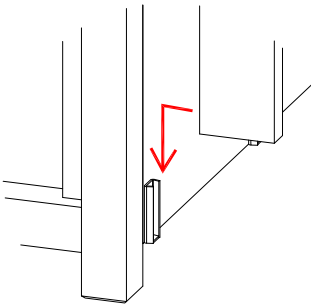
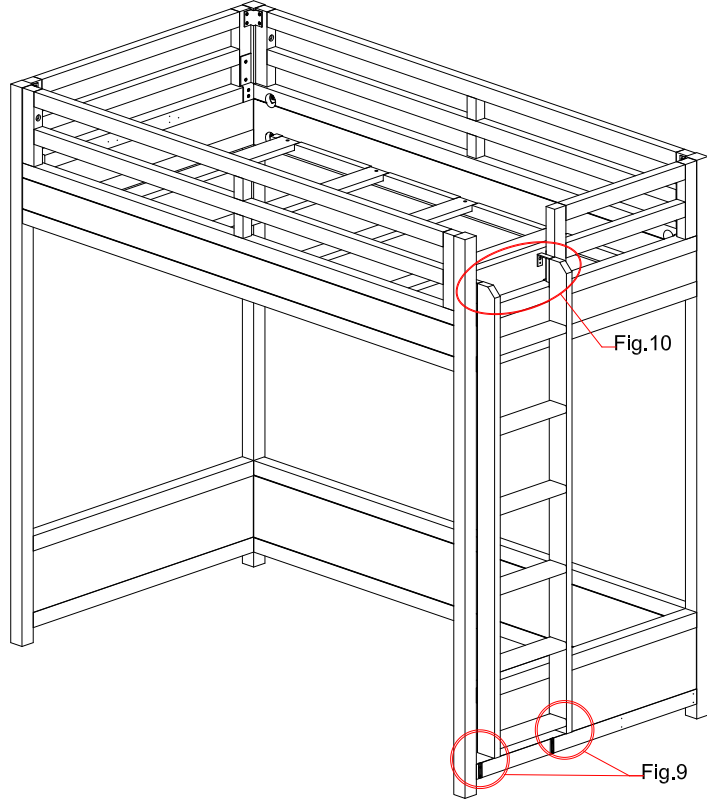
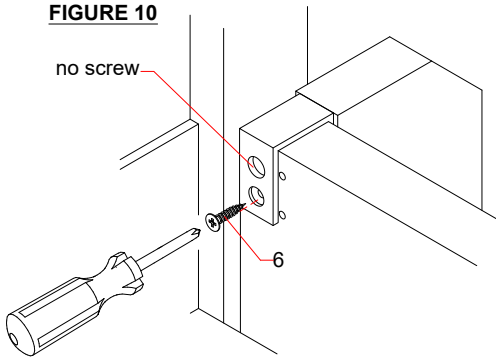
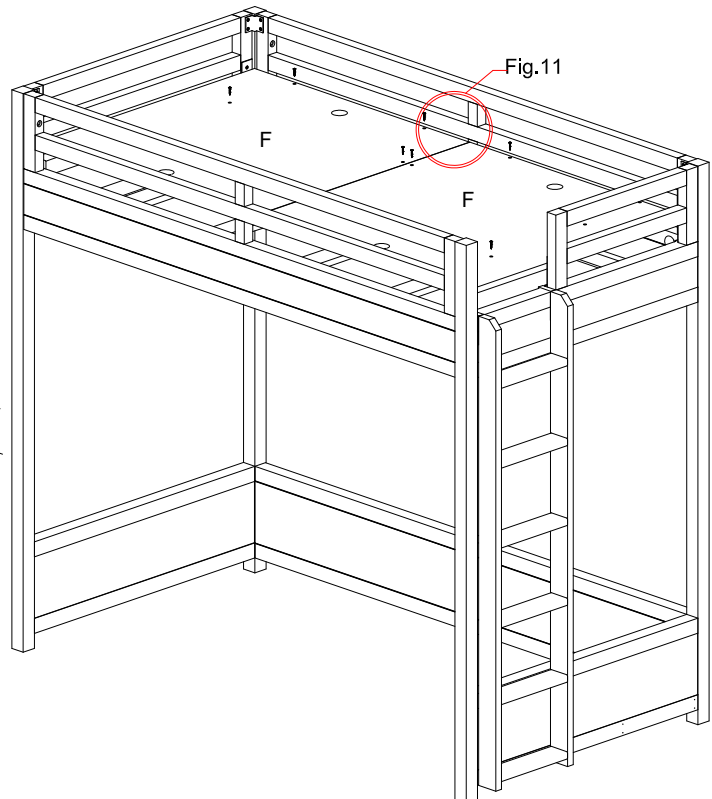
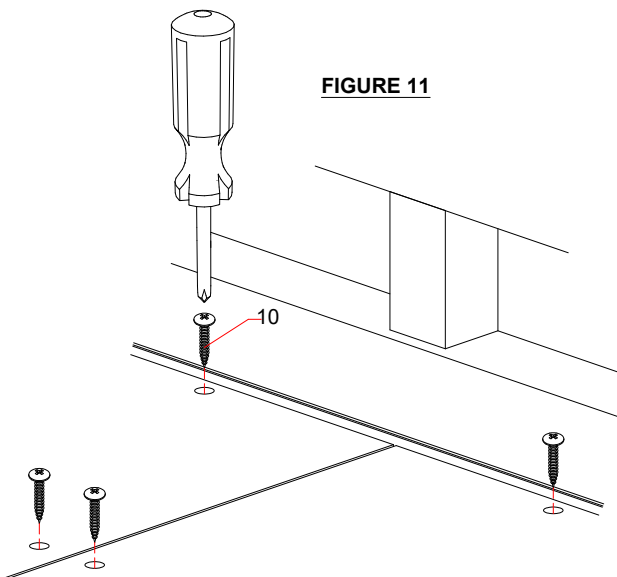


FIGURE 10



13. Place the platform panels (H) on the upper bed, then affix them with screws (10). See FIGURE 11.

FIGURE 11



RHTEEN

LAGUNA TWIN LOFT BED - ASSEMBLY INSTRUCTIONS

14. MATTRESS INSTALLATION

MATTRESS SPECIFICATION:

The following mattress and foundation sizes are specified for use with this loft bed.

Mattress: 38"W x 75"L x 6"H on Twin loft bed.

****Note: TOP MATTRESS AND PLATFORM MUST NOT EXCEED 6" TOTAL HEIGHT.**

Be sure to adhere to these MATTRESS SPECIFICATIONS in order to avoid the possibility of falling or entrapment.

THESE SPECIFICATIONS MUST BE STRICTLY FOLLOWED!

LOFT BED MATTRESS DIAGRAM

