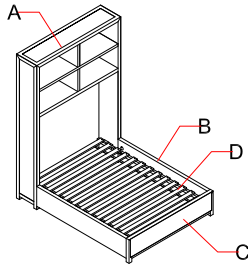


# RH BABY & CHILD RH TEEN

## LAGUNA BED WITH CUBBY HEADBOARD - TWIN - ASSEMBLY INSTRUCTIONS

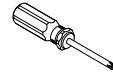
### PARTS INCLUDED

- A [1] HEADBOARD
- B [1] SIDE RAIL
- C [1] FOOTBOARD
- D [13] BED SLATS



### TOOLS NEEDED

Phillips-head Screwdriver (not included)



### HARDWARE INCLUDED

NO.	SKETCH	DESCRIPTION	SPECIFICATION	QTY.
1		Threaded Rod	M8 x 100mm	8 pcs.
2		Curved Washer	15 x 8.5 x 2mm	8 pcs.
3		Lock Washer	Ø14 x Ø9 x 2mm	8 pcs.
4		Hex Nut	M8 x H15 x D14mm	8 pcs.
5		Wrench	D14.5 x 100mm	2 pcs.
6		Screw	M4 x 25mm	26 pcs.
7		Metal Bracket	51.5 x 16.5 x 16.5mm (D2mm)	2 pcs.
8		Clevis Pin	Ø6 x 23mm	2 pcs.
9		Steel Aircraft Cable	1.6 x 162mm	1 pc.
10		Hair Pin	Ø2 x 30mm	2 pcs.
11		Short Screw	M4 x 15mm	2 pcs.
12		Long Screw	M4 x 38mm	2 pcs.
13		Toggle Bolt	M3 x 51mm	2 sets

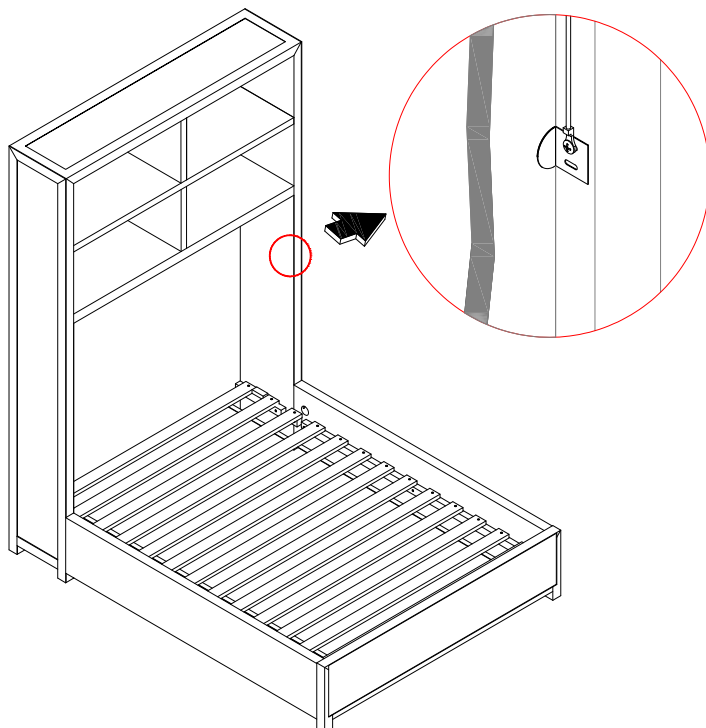
### IMPORTANT SAFETY INSTRUCTIONS FOR LED PUCK LIGHT

1. Turn on/off plug and allow to cool before replacing bulb.
2. Bulb gets HOT quickly! Only touch switch and plug when turning on.
3. Do not touch hot lens, guard, or enclosure.
4. Do not remain under the light if skin feels warm.
5. Do not look directly at lit bulb.
6. Keep fixture away from curtains, draperies, and similar materials that may burn.
7. Use only with 25-watt 120 volt bulb or lower.
8. Do not touch the bulb at any time. Leave bulb in its plastic bag or use a soft cloth when handling the bulb. Oil from skin may damage the bulb's integrity.
9. Do not operate the fixture with a missing or damaged guard, fixture containment barrier, or UV filter.

### LED ON/OFF INSTRUCTIONS

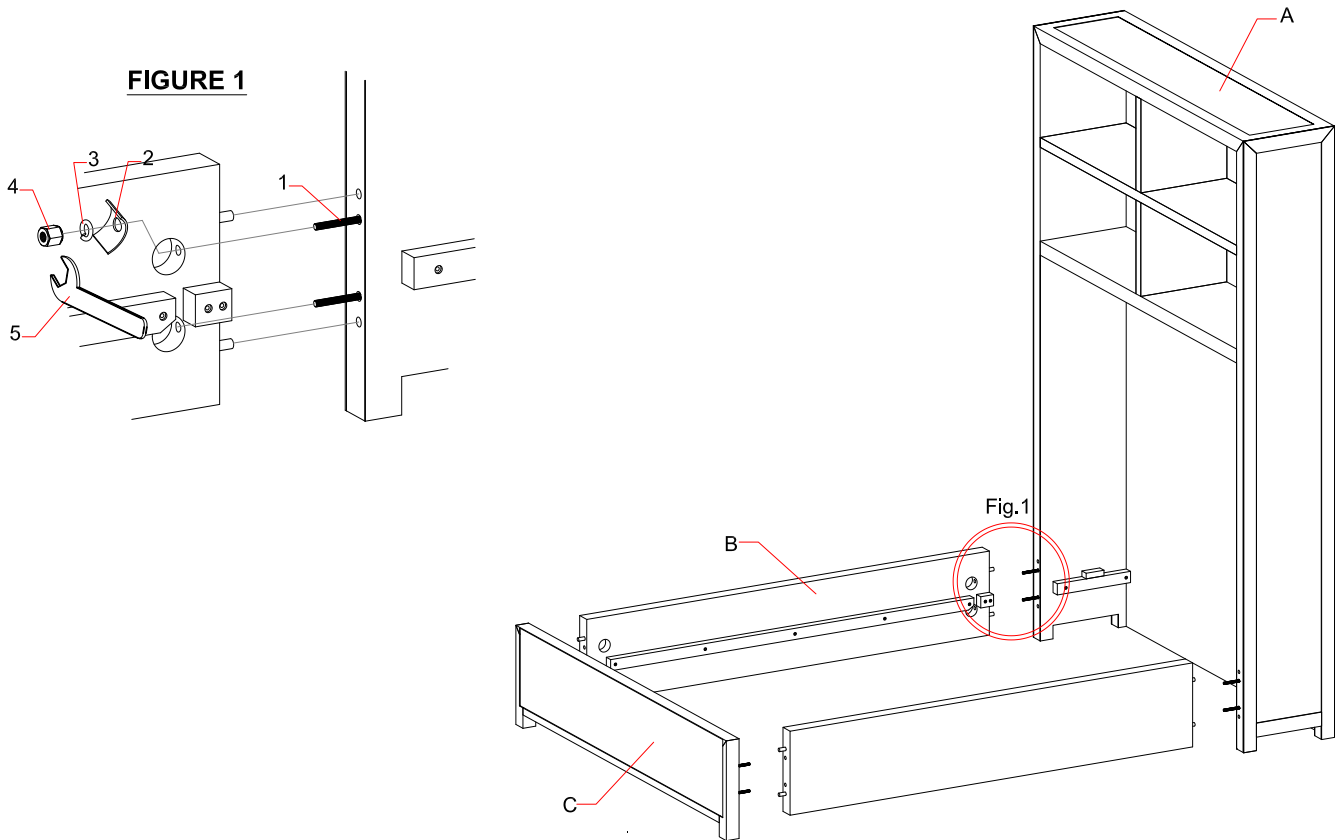
This item is equipped with a touch button-operated interior light. The touch button is located on the inside surface of the front-right post of the bed headboard.

- Touch once to turn the light on.
- Touch again to turn the light off.

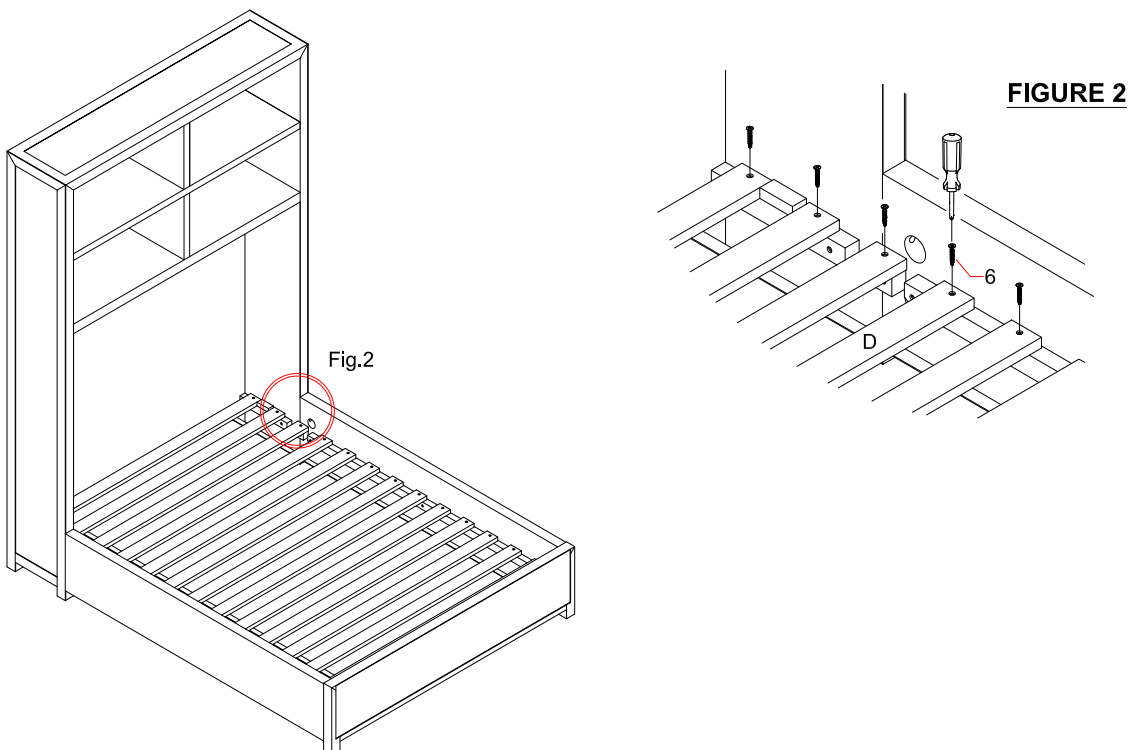


## ASSEMBLY INSTRUCTIONS

1. Place headboard (A) upright in the position you wish the bed to be in when fully assembled. The headboard bedfast hardware should be facing inside toward the mattress.
2. Secure threaded rods (1) to the fixed nuts in headboard (A) by turning them manually.
3. Raise side rail (B) up and align threaded rods (1) with the boreholes on the end of side rail (B). Put side rail (B) up against headboard (A) so the threaded rods (1) go through the boreholes. Place curved washers (2), lock washers (3) and hex nuts (4) onto threaded rods (1) then tighten the hex nuts (4) with wrench (5), as illustrated in FIGURE 1.
4. Repeat the above process with the other side rail (B) to attach it to headboard (A), and then repeat to connect each side rail (B) to the footboard (C).



5. On the inside surface of both side rails (B) are pre-installed wooden stopper cleats designed to hold the set of bed slats (D). Place bed slats (D) on both sides of side rails (B) with the second to the last slat on either side of the stopper cleat to hold the slats in place. Once bed slats (D) are set, secure with the screws (6) as shown in FIGURE 2.



## ANTI-TIP RESTRAINT INSTRUCTIONS

Young children may be injured by tipping furniture. The use of an anti-tipping restraint is highly recommended.

When properly installed, this restraint could provide protection against the unexpected tipping of furniture due to small tremors, bumps or climbing. We recommend mounting this restraint to a wall stud.

**WARNING:** This product is only a deterrent. It is not a substitute for proper adult supervision.

### ASSEMBLY INSTRUCTIONS BY WALL TYPE

- DRYWALL WITH STUDS: Use screws to affix to drywall with studs. See FIGURE A.
- DRYWALL WITHOUT STUDS: Use toggle bolts and screws to affix to drywall. See FIGURE B.

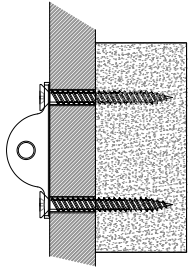


FIGURE A  
DRYWALL WITH STUDS

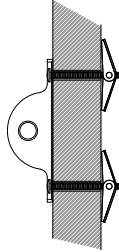
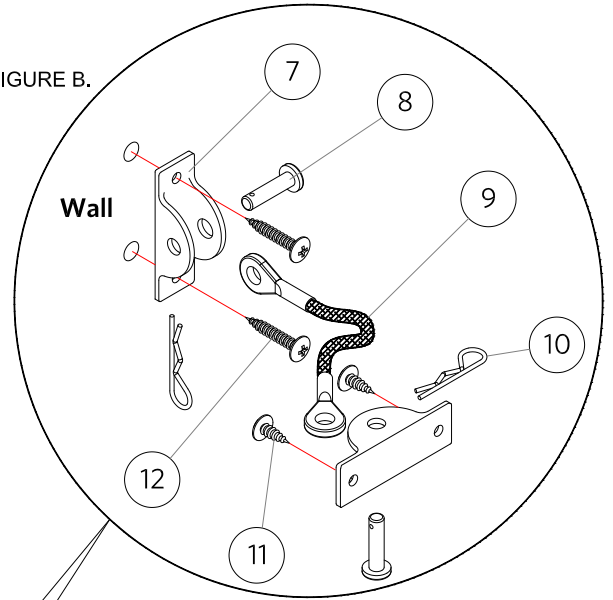


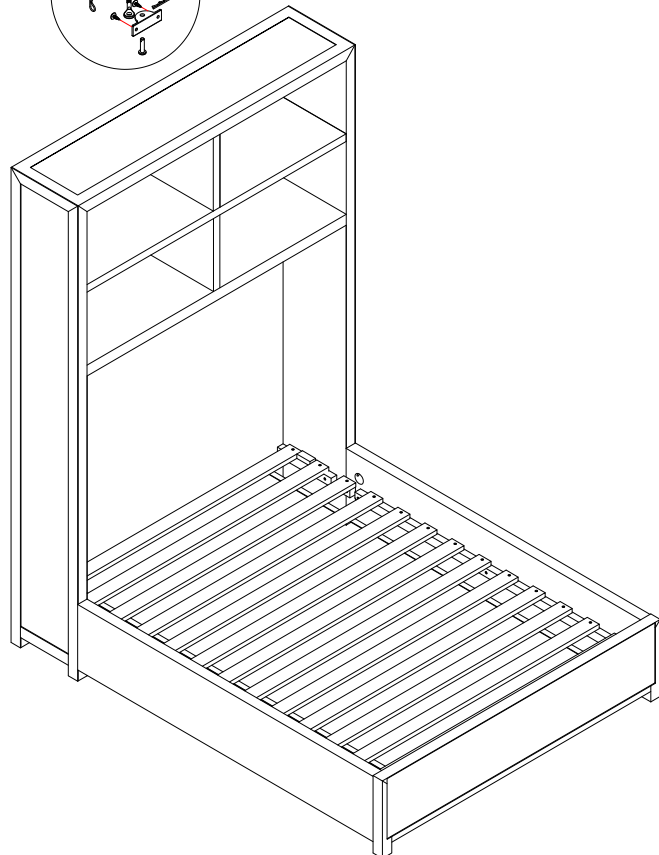
FIGURE B  
DRYWALL WITHOUT STUDS



### ANTI-TIP KIT INSTALLATION INSTRUCTIONS

**⚠ WARNING:** Always mount metal brackets to solid wood part of furniture. Do not attach to plywood of back panels. **ATTACH THE ANTI-TIP KIT TO A WALL STUD IF POSSIBLE, OR HAVE A PROFESSIONAL ATTACH THE KIT TO MASONRY OR A CONCRETE WALL.**

1. Attach a metal bracket (7) near the middle-top back edge of the furniture piece by inserting the short screws (11).
2. Determine the final position of the furniture piece. Mark a location on the wall approximately 2" below the bracket mounted to the back of the furniture.
3. Attach the second metal bracket (7) to a stud on the wall by inserting the long screws (12) (see Figure A) or toggle bolts (13) through the drywall (see Figure B).
4. Place the furniture so that the bracket on the back edge aligns with the bracket on the wall.
5. Insert the clevis pin (8) through the holes of the bracket on the back of the furniture and the hole on the steel aircraft cable (9). Insert a hair pin (10) through the small hole on the clevis pin (8) to lock it.
6. Repeat above step to attach the other end of the steel aircraft cable (9) to the bracket on the wall.
7. Check to make sure the steel aircraft cable (9) is securely laced and locked to both brackets.



### CARE INSTRUCTIONS

1. Dust often using a clean, soft, dry cloth.
2. Blot spills immediately and wipe with a clean, damp cloth.
3. Do not use chemical cleaners, abrasives or furniture polish, as they may damage the finish.