

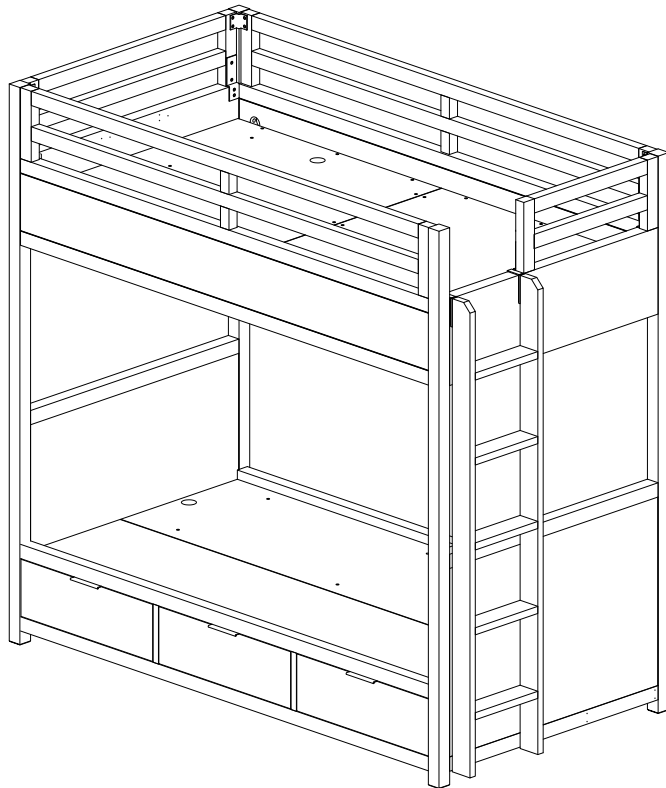
# RHTEEN

## LAGUNA TWIN OVER TWIN BUNK BED - ASSEMBLY INSTRUCTIONS

---



**WARNING:** Read all instructions before assembling this product. **KEEP INSTRUCTIONS FOR FUTURE USE.**



### CUSTOMER SERVICE

If you are missing parts or have any questions about this product, contact us first. You can also order parts by writing to the address above. Include the product model number, color, and a brief description of the part.

Call 1-800-762-1751.

### CARE AND CLEANING

DO NOT scratch or chip the finish. DO NOT use abrasive chemicals for cleaning. Dust often using a clean, soft, dry cloth. Blot spills immediately and wipe with a clean damp cloth. If the crib is to be stored, store in a cool dry place and carefully package all original hardware to protect from loss.

### TOOLS AND INSTALLATION

Tools Necessary: Allen key (included)

Wrench (included)

Screwdriver (not included)

Note: It may be easier to assemble product with two people.

NOTE: When inserting bolts, turn clockwise until tight. Then loosen  $\frac{1}{2}$  -  $\frac{3}{4}$  of a turn. After bunks is completely assembled, return to each bolt and tighten. Use wax or soap on all bolts to facilitate assembly.

# RHTEEN

## LAGUNA TWIN OVER TWIN BUNK BED - ASSEMBLY INSTRUCTIONS

### IMPORTANT SAFETY INFORMATION FOR BUNK BED

1. Follow the information on the WARNINGS appearing on the upper bunk end structure and on the carton.
2. Always use the specified size mattress, mattress support, or both to help prevent the likelihood of entrapment or falls.
3. Surface of mattress must be at least 5 inches below the upper edge of guardrails on top bunk.
4. Do not allow children under 6 years of age to use the upper bunk.
5. Prohibit more than one person on upper bunk.
6. Periodically check and ensure that the guardrails, ladder, and other components are in their proper position, free from damage, and that all connectors are tight.
7. Do not allow horseplay on or under the bed and prohibit jumping on the bed.
8. Always use the ladder for entering and leaving the upper bunk.
9. Do not use substitute parts. Contact Restoration Hardware for replacement parts.
10. Use of a night light may provide added safety precaution for a child using the upper bunk.
11. Use guardrails on both sides of the upper bunk.
12. If the bunk bed will be placed next to a wall, the guardrail that runs the full length of the bed should be placed against the wall to prevent entrapment between the bed and the wall.
13. The use of water flotation mattress is prohibited.
14. **STRANGULATION HAZARD** - Never attach or hang items to any part of the bunk bed that are not designed for use with the bed: for example, but not limited to, hooks, belts, and jump ropes
15. Keep these instructions for future reference.
16. DO NOT remove warning label from bed.



### WARNING

#### TO HELP PREVENT SERIOUS OR FATAL INJURIES FROM ENTRAPMENT OR FALLS:

1. Never allow a child under 6 years on upper bunk.
2. Use mattress which is 38"W x 75"L x 7"H on Twin upper bunk, and 38"W x 75"L x 10"H on Twin lower bunk.
3. Ensure thickness of mattress does not exceed 7" and mattress is at least 5" below upper edge of guardrails.
4. Use guardrails on both sides of upper bunk.
5. Use ladder for entering and leaving upper bunk.
6. Prohibit horseplay on or under bed(s).
7. Prohibit more than one person on upper bunk.
8. If the bunk bed will be placed next to a wall the guardrails that run the full length of the bed .

#### **STRANGULATION HAZARD**

9. Never attach or hang items to any part of the bunk bed that are not designed for use with the bed; for example, but not limited to, hooks, belts, and jump ropes.

**DO NOT REMOVE THIS LABEL**

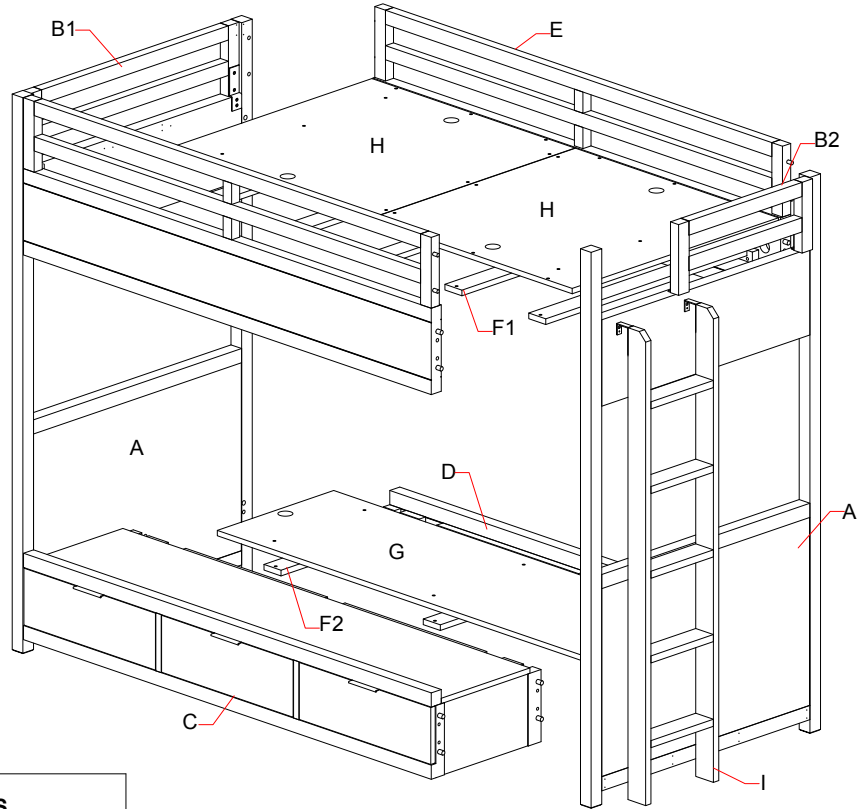
# RHTEEN

## LAGUNA TWIN OVER TWIN BUNK BED - ASSEMBLY INSTRUCTIONS

### COMPONENT IDENTIFICATION AND HARDWARE

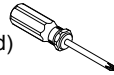
#### PARTS INCLUDED

- A [2] HEADBOARD & FOOTBOARD
- B1 [1] LONG GUARD RAIL
- B2 [1] SHORT GUARD RAIL
- C [1] STORAGE
- D [1] LOWER SIDE RAIL
- E [2] UPPER SIDE RAILS
- F1 [5] BED SLATS (LONG)
- F2 [3] BED SLATS (SHORT)
- G [1] LOWER PLATFORM PANEL
- H [2] UPPER PLATFORM PANELS
- I [1] LADDER



#### TOOLS NEEDED

Phillips-head Screwdriver (Not included)



HARDWARE FOR UPPER SIDE RAILS & LOWER SIDE RAILS				
NO.	SKETCH	DESCRIPTION	SPECIFICATION	QTY.
1		Threaded Rod	M8 x 100mm	12 pcs.
2		Curved Washer	15 x 8.5 x 2mm	12 pcs.
3		Lock Washer	Ø14 x Ø9 x 2mm	12 pcs.
4		Hex Nut	M8 x H15 x D14mm	12 pcs.
5		Spanner Wrench	D14.5 x 100mm	1 pc.

HARDWARE FOR LOWER SIDE RAILS				
NO.	SKETCH	DESCRIPTION	SPECIFICATION	QTY.
6		Allen Bolt	M8 x 40mm	8 pcs.
7		Lock Washer	Ø14 x Ø9 x 2mm	8 pcs.
8		Plain Washer	Ø19 x Ø9 x 2mm	8 pcs.
9		Allen Key	110 x 28 x D4mm	1 pc.

HARDWARE FOR GUARDRAILS & LADDER				
NO.	SKETCH	DESCRIPTION	SPECIFICATION	QTY.
10		Flat-head Screw	M4 x 20mm	22 pcs.
11		Metal Bracket	50 x 39 x 42 x 3mm	3 pcs.
12		Concealed Metal Bracket (Male)	52 x 11 x 5.5mm	2 pcs.
13		Flat-head Screw	M3 x 15mm	4 pcs.

HARDWARE FOR SLATS & PLATFORM PANELS				
NO.	SKETCH	DESCRIPTION	SPECIFICATION	QTY.
14		Round-head Screw	M4 x 25mm	46 pcs.

# RHTEEN

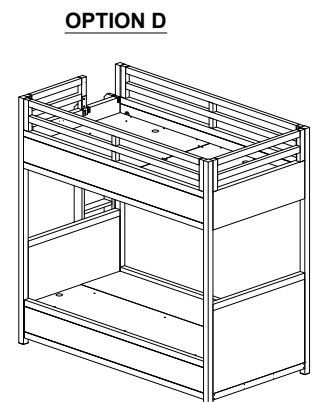
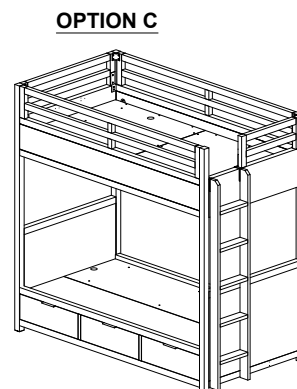
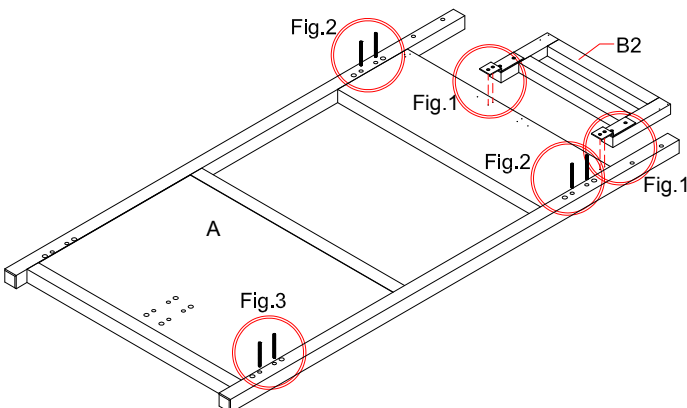
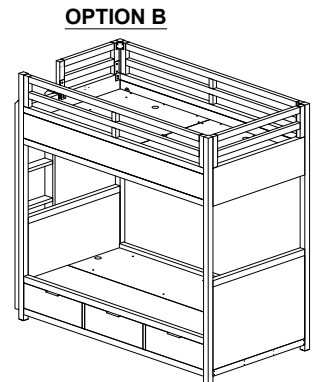
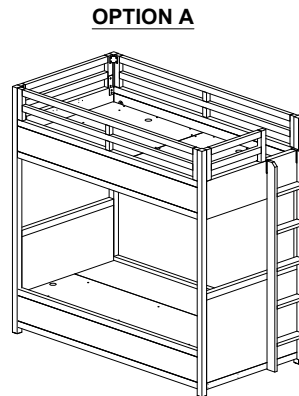
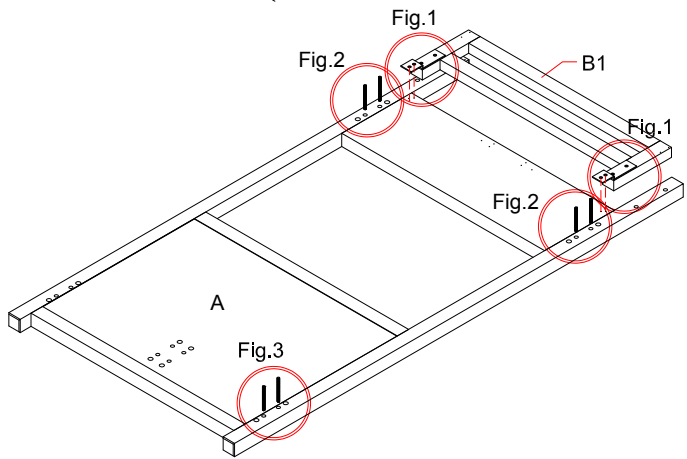
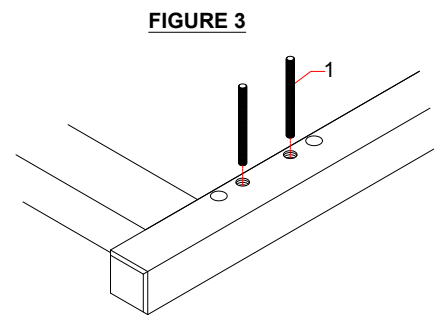
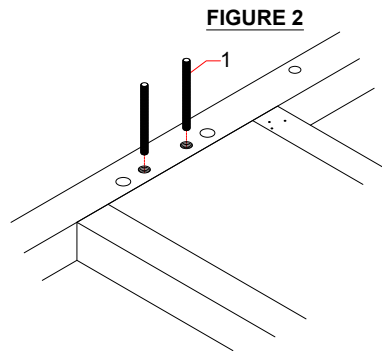
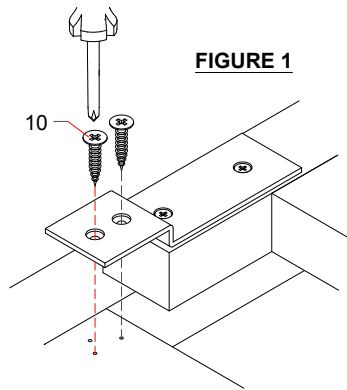
## LAGUNA TWIN OVER TWIN BUNK BED - ASSEMBLY INSTRUCTIONS

### IMPORTANT

These bed parts can be cumbersome and heavy, therefore the assistance of two or more people is recommended in order to prevent personal injury and ensure the bed parts are not damaged during the assembly process.

### ASSEMBLY INSTRUCTIONS

1. Lay the headboard and footboard (A) on a flat surface.
2. Attach the long guard rail (B1) to the headboard (A), same to so attach the short guard rail (B2) to the footboard (A). Refer to FIGURE 1.
3. Attach the threaded rods (1) into the fixed nuts in the post of the headboard/footboard by turning them manually. See FIGURE 2 and FIGURE 3.



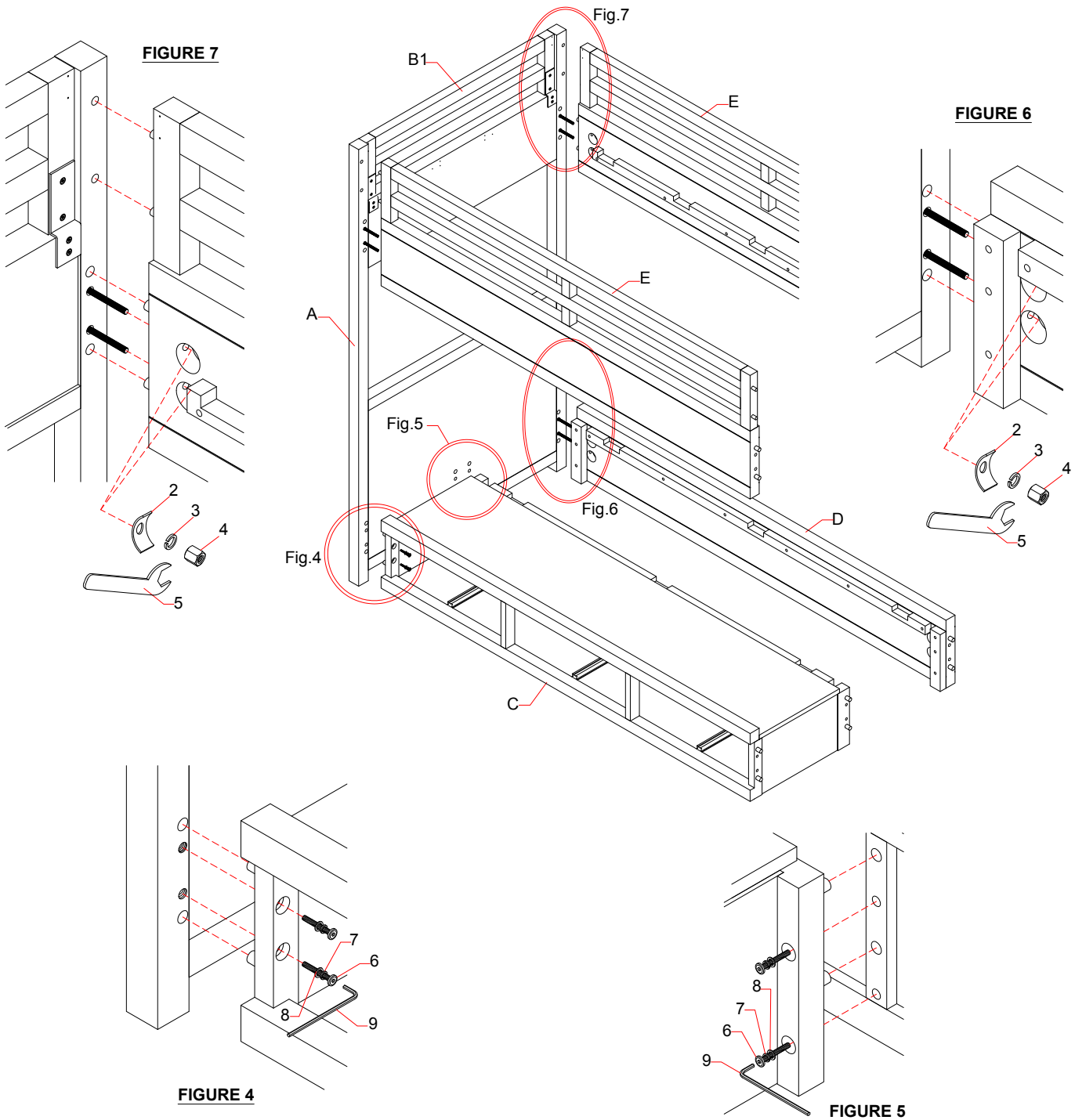
# RHTEEN

## LAGUNA TWIN OVER TWIN BUNK BED - ASSEMBLY INSTRUCTIONS

4. Fully remove all the drawers out of the storage (C). Attach the storage to the headboard (A/B1), as per illustration in FIGURE 4, FIGURE 5.
5. Attach the lower side rail (D) to the headboard as per illustration in FIGURE 6.

NOTE: Side panel is exchangeable for ladder placement on either side.

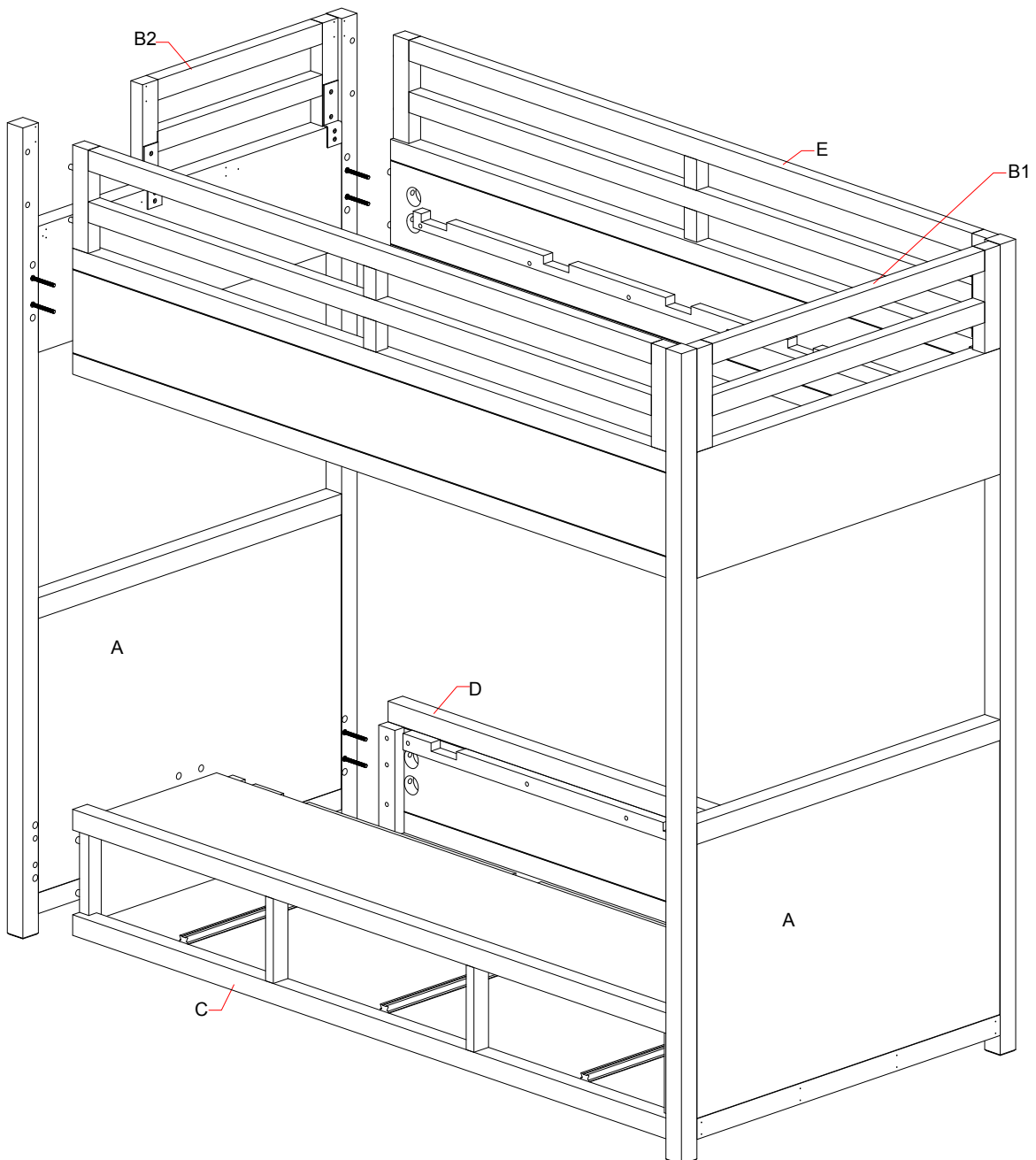
6. Bring the upper side rail (E) in upright position and align the threaded rods on the headboard to the corresponding holes in the end of the upper side rail. Attach the upper side rail to the headboard, as in FIGURE 7. KEEP HOLDING THIS SIDE RAIL DURING NEXT STEP.
7. Repeat step 6 to attach the other upper side rail to the headboard. KEEP HOLDING BOTH UPPER SIDE RAILS DURING NEXT STEP.



# RHTEEN

## LAGUNA TWIN OVER TWIN BUNK BED - ASSEMBLY INSTRUCTIONS

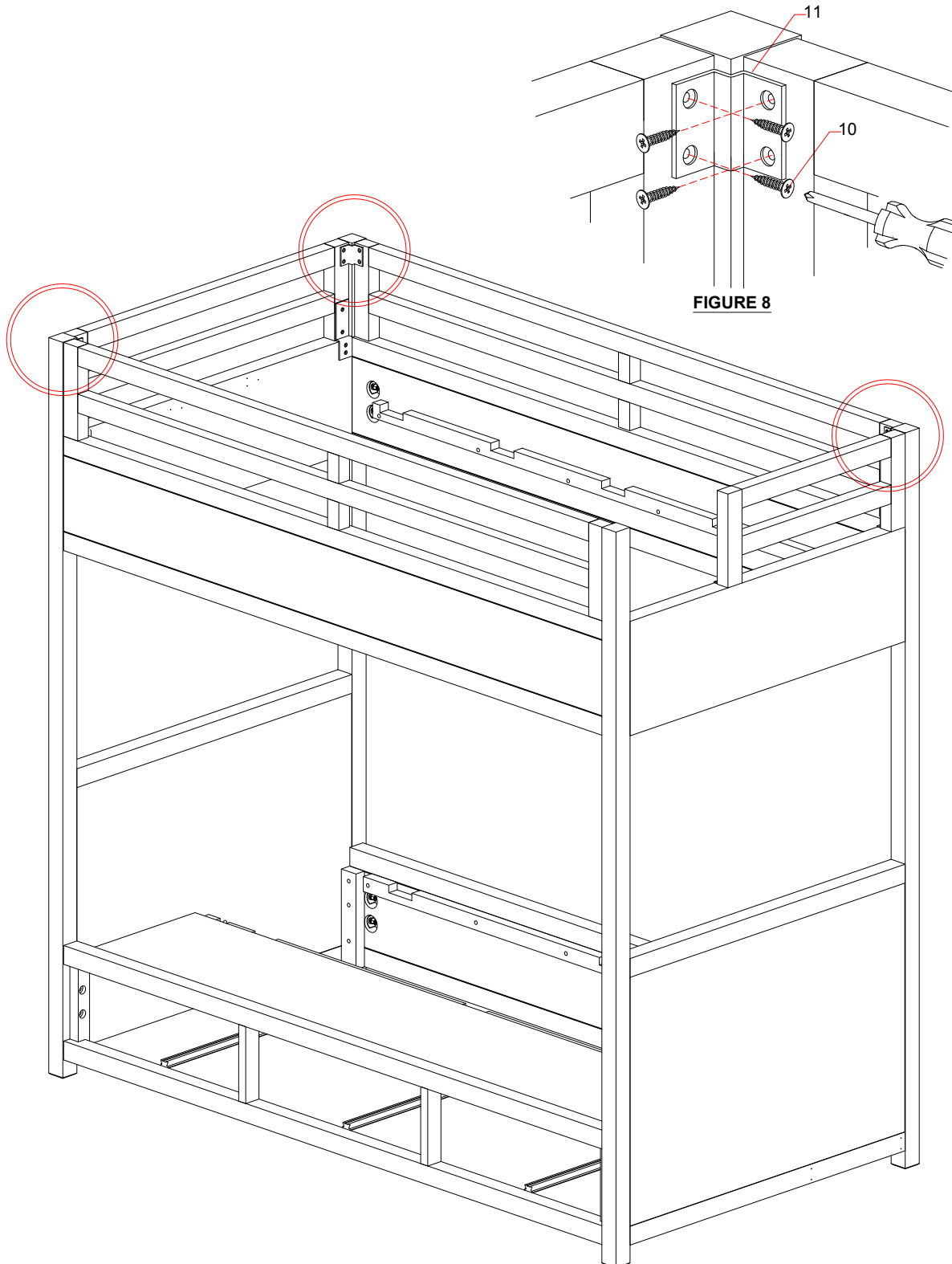
- Align the threaded rods on the footboard (A/B2) to the corresponding holes at the end of the storage (C), lower side rail (D) and upper side rails (E). Align the locator pins on the end of the storage and the side rails to the corresponding holes in the footboard. Insert the footboard into the storage and the side rails.
- Repeat step 4, 5, 6 and 7 to attach the storage and the side rails to the footboard.



# RHTEEN

## LAGUNA TWIN OVER TWIN BUNK BED - ASSEMBLY INSTRUCTIONS

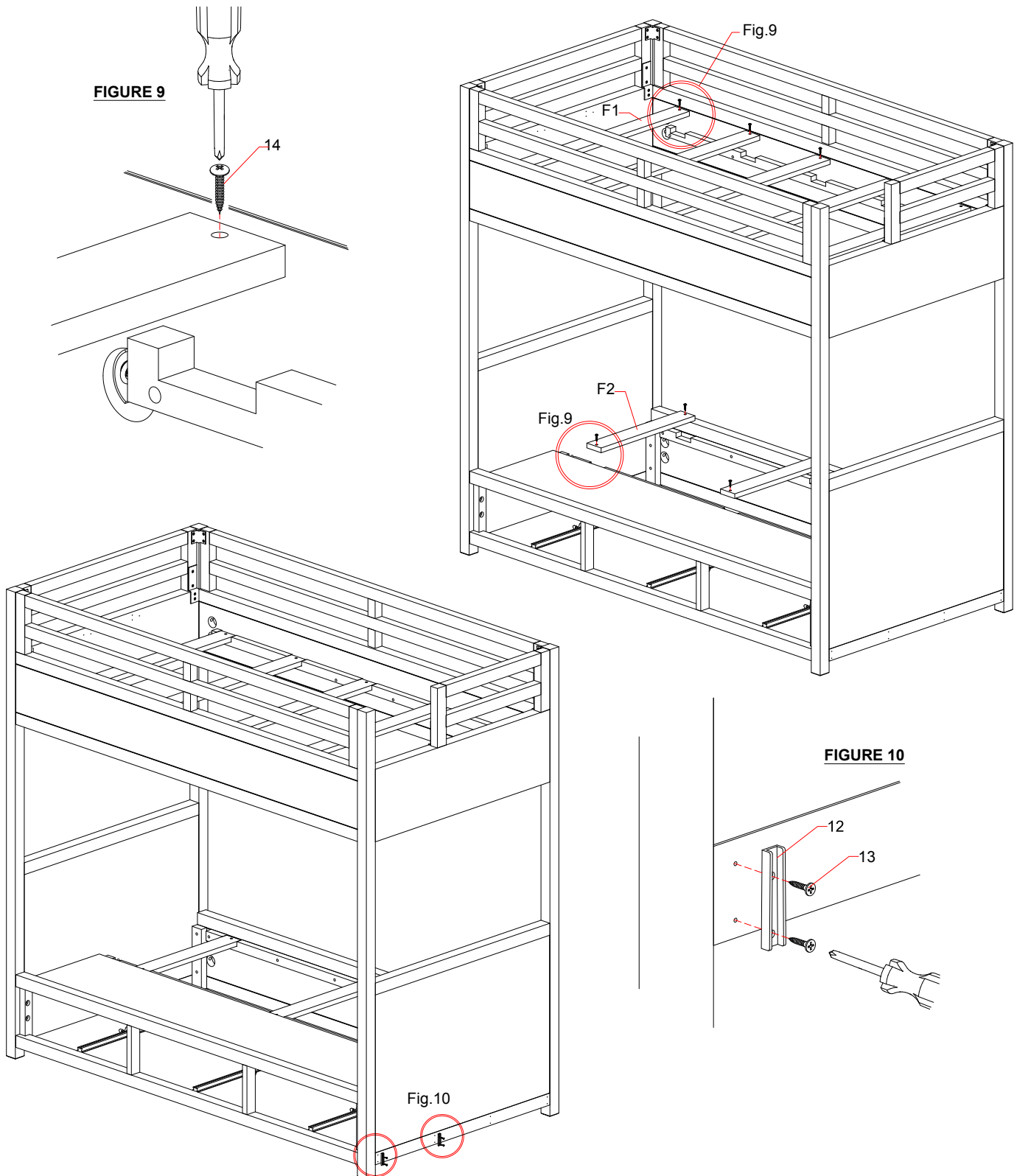
10. Attach the Metal bracket (11) into the side rails and guard rails. Insert screw (10) provided to pass through hole on metal bracket (11) to the pre-drill hole on side rails and guardrails. Refer to FIGURE 8.



# RHTEEN

## LAGUNA TWIN OVER TWIN BUNK BED - ASSEMBLY INSTRUCTIONS

11. Set the bed slats (F1, F2) on the upper bunk and lower bunk. Secure each slat by using screws (14) provided. See FIGURE 9.
12. For the purpose assembly, the both of Concealed metal bracket (12) were removed and put on hardware pack. At the headboard and footboard have the holes pre-drilled, this is location of the ladder that you will install. Please determind the location of the ladder for your desired, then install the Concealed metal bracket (12) into the holes pre-drilled and secure it by Phillips screws (13) provided. Refer to FIGURE 10.



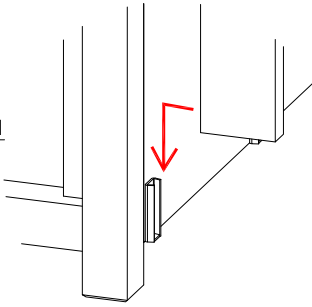


# RHTEEN

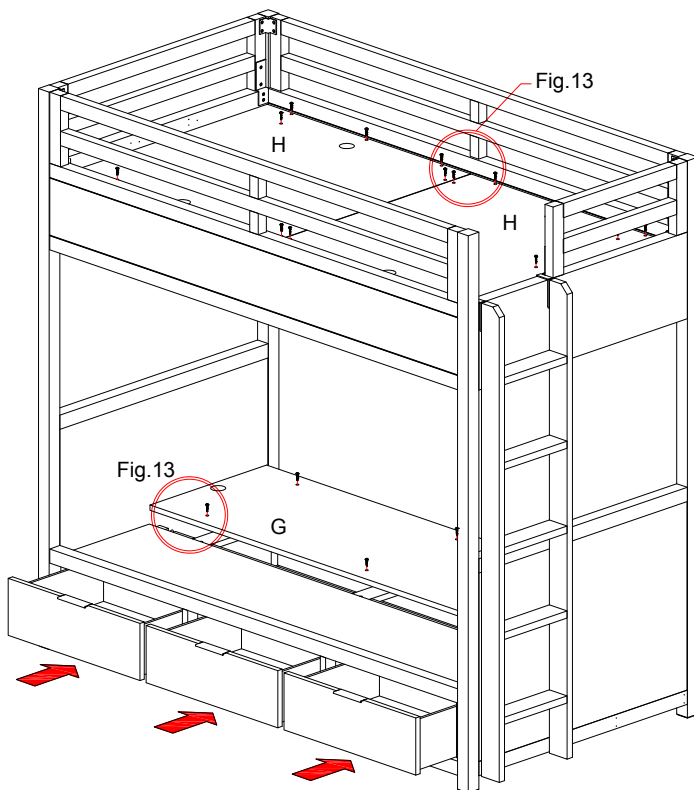
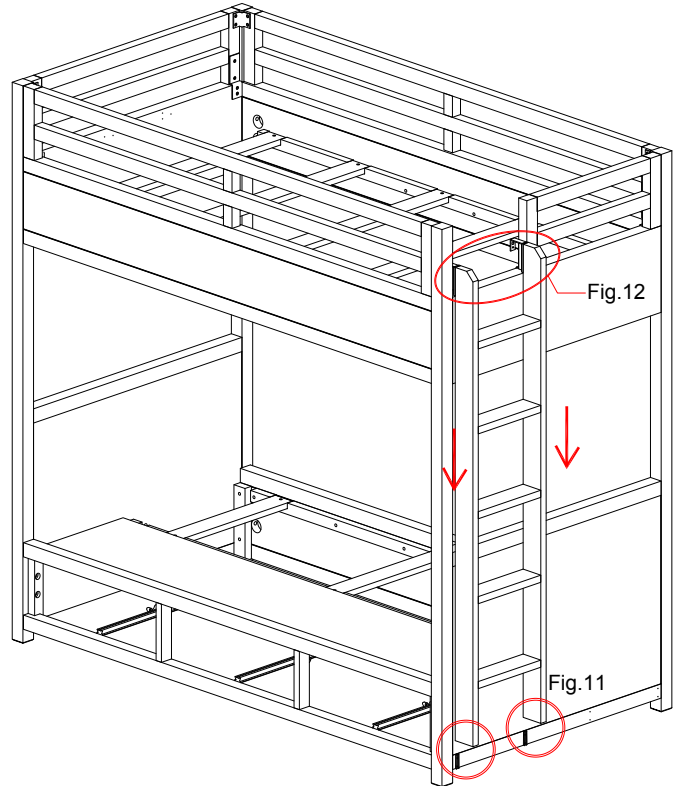
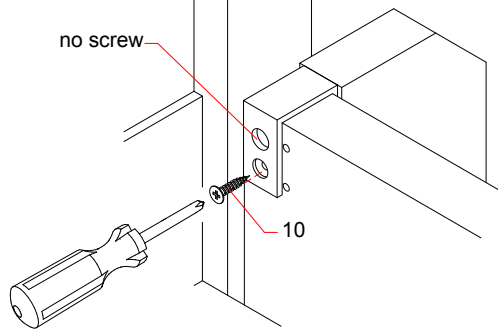
## LAGUNA TWIN OVER TWIN BUNK BED - ASSEMBLY INSTRUCTIONS

- Hook the ladder (I) on the footboard simultaneously align the metal concealed bracket male on the ladder with the female bracket on the footboard, Use screw (10) provided to fix the top of ladder with footboard. as per illustration in FIGURE 11 and FIGURE 12.
- Place the platform panels (G, H) on the lower bunk and the upper bunk, then fix them with screws (14). See FIGURE 13.
- Return the drawers to the storage. Assembly is complete.

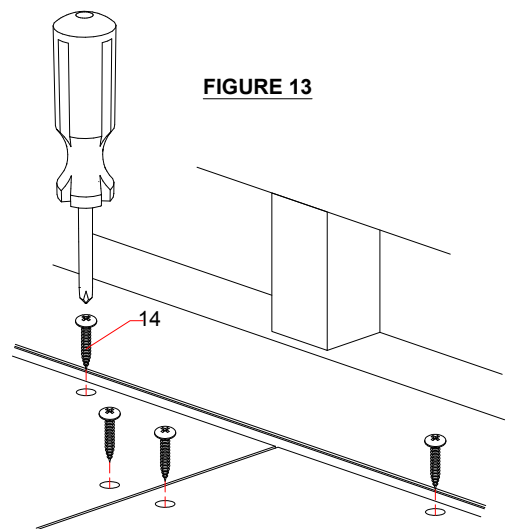
**FIGURE 11**



**FIGURE 12**



**FIGURE 13**



# RHTEEN

## LAGUNA TWIN OVER TWIN BUNK BED - ASSEMBLY INSTRUCTIONS

### 16. INSTALL BEDDING

#### BEDDING SPECIFICATION:

The following size mattress and foundation are specified for use with this bunk bed.

Mattress: 38"W x 75"L x 7"H on Twin upper bunk, and 38"W x 75"L x 10"H on Twin lower bunk.

**\*\*Note: ENSURE THICKNESS OF MATTRESS DOES NOT EXCEED 7" AND MATTRESS IS AT LEAST 5" BELOW UPPER EDGE OF GUARDRAILS.**

Be sure to adhere to these BEDDING SPECIFICATIONS in order to avoid the possibility of falling or entrapment. THESE SPECIFICATIONS MUST BE STRICTLY ADHERED TO!

### UPPER BUNK MATTRESS DIAGRAM

