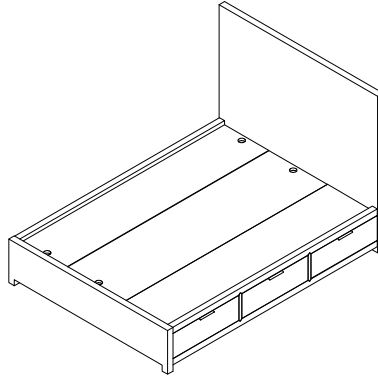


RH TEEN

LAGUNA 3-DRAWER STORAGE FULL/TWIN BED

PARTS INCLUDED

- A [1] HEADBOARD
- B [1] BED STORAGE
- C [1] SIDE RAIL
- D [1] FOOTBOARD
- E [3] SUPPORT RAILS
- F [1] LARGE COVER PANEL
- G [1] SMALL COVER PANEL



ASSEMBLY INSTRUCTIONS

1. Gently lay the headboard (A) and footboard (D) on a plain and non-abrasive surface.
2. Secure the threaded rod (1) to the fixed nut in the left side of the headboard (A) and the right side of the footboard (D) by simply turning it manually, as illustrated in FIGURE 01.
3. Place the headboard (A) upright in the position you wish the bed to be in when fully assembled. The headboard bed fast hardware should be facing inside, toward the mattress. Place the rod (1) to align with the bore holes on the end of the side rail (C). Put the side rail (C) up against the headboard (A) so the threaded rods go through the bore holes. Insert curved washer (2) and lock washer (3), place hex nuts (4) on threaded rod (1) and tighten hex nuts (4) with wrench (5), as illustrated in FIGURE 02.
4. Remove all the drawers out of the bed storage (B). Attach the bed storage (B) to the headboard (A) by using the Allen bolt (6), lock washer (3), flat washer (7) and Allen wrench (8), as illustrated in FIGURE 03 and FIGURE 04.
5. Repeat the above procedure to connect bed storage (B) and side rail (C) to the footboard (D).
6. Insert the support rail (E) and fix it to the bed storage (B) and the side rail (C) by screws (9). See FIGURE 05.
7. Re-insert all the drawers to the bed storage (B). Place the cover panels (F) & (G) on the support rails (E).
8. Assembly is complete.

NO.	ITEM	DESCRIPTION	QTY.
1		Threaded Rod	4 pcs.
2		Curved Washer	4 pcs.
3		Lock Washer	12 pcs.
4		Hex Nut	4 pcs.
5		Wrench	1 pc.
6		Allen Bolt	8 pcs.
7		Flat Washer	8 pcs.
8		Allen Wrench	1 pc.
9		Screw	6 pcs.

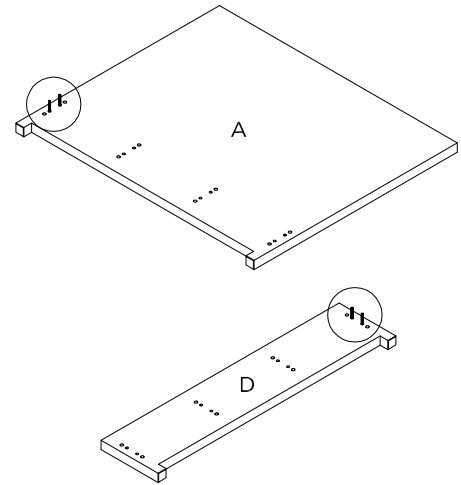
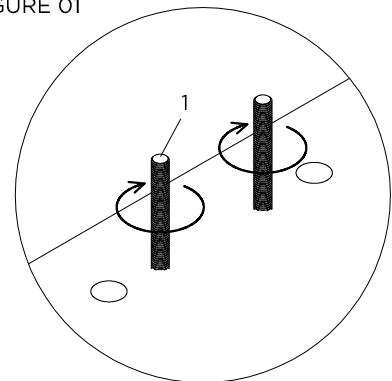


FIGURE 01



RH TEEN

LAGUNA 3-DRAWER STORAGE FULL/TWIN BED

FIGURE 02

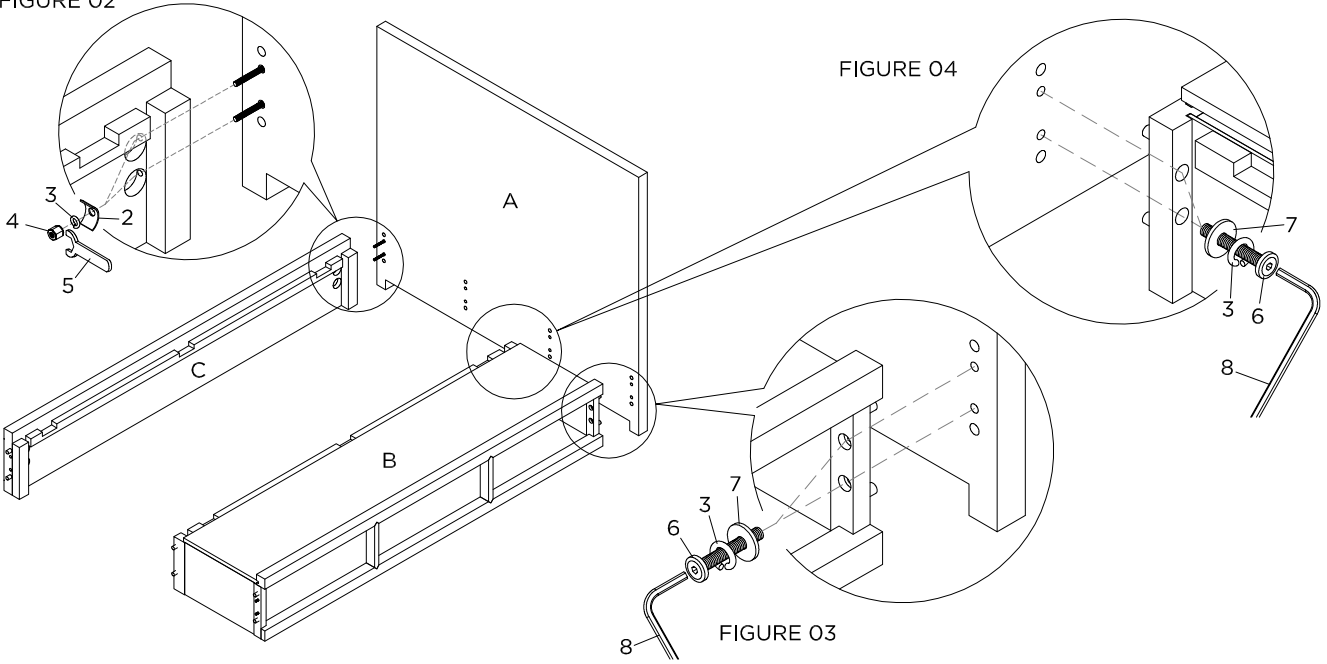


FIGURE 05

