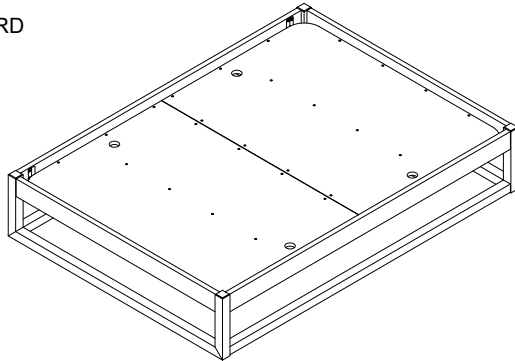





RHTEEN

LAGUNA FULL / QUEEN PLATFORM BED

PARTS INCLUDED

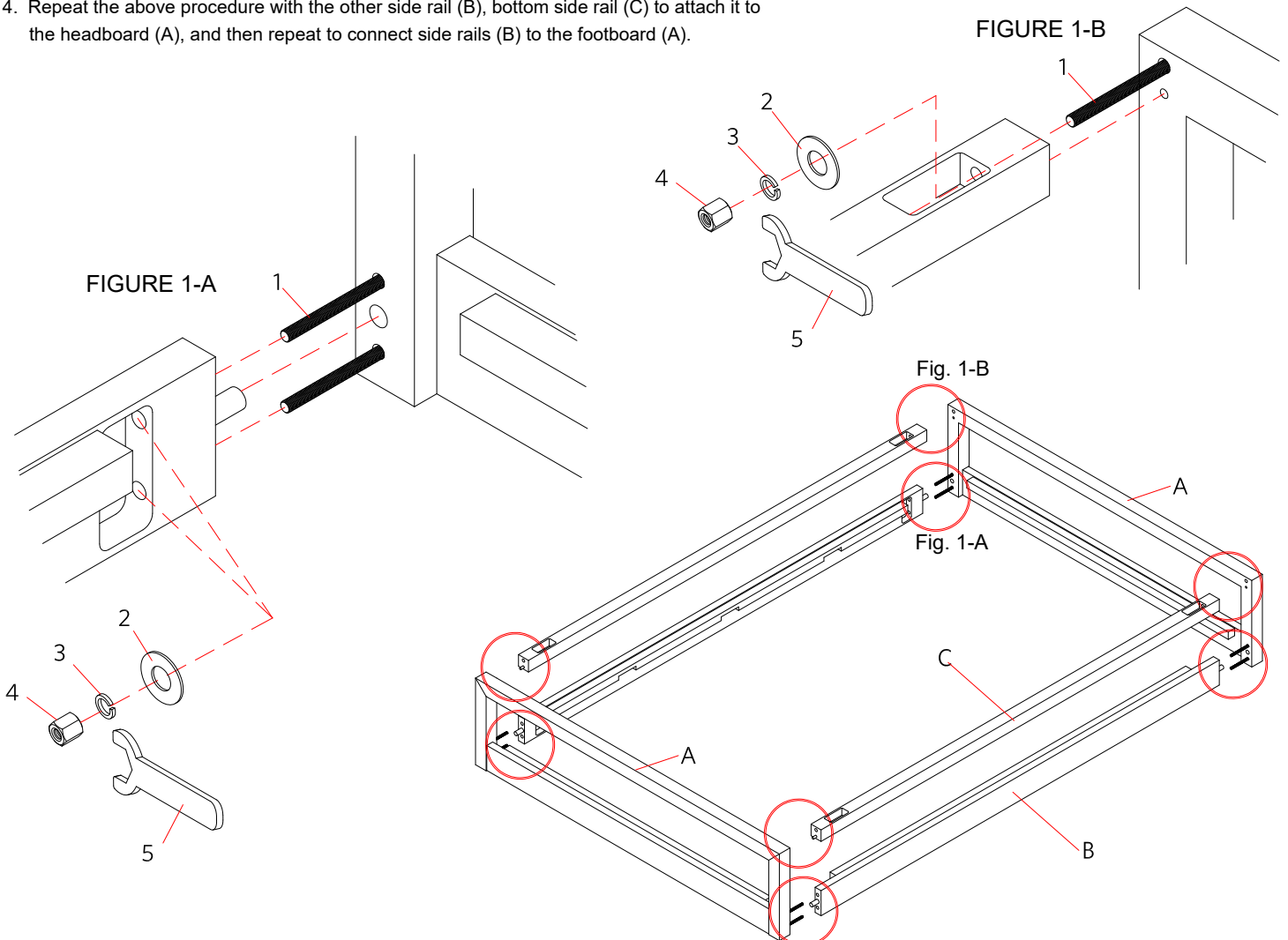
- A [1] HEADBOARD & FOOTBOARD
- B [2] SIDE RAILS
- C [2] BOTTOM SIDE RAIL
- D [2] BED SLATS 1
- E [1] BED SLAT 2
- F [1] CENTER LEG
- G [2] PLATFORM PANEL



NO.	ITEM	DESCRIPTION	QTY.
1		Threaded Rod	12 pcs.
2		Plain Washer	12 pcs.
3		Lock Washer	12 pcs.
4		Hex Nut	8 pcs.
5		Wrench	1 pc.
6		Phillip Screw	42 pcs.

ASSEMBLY INSTRUCTIONS:

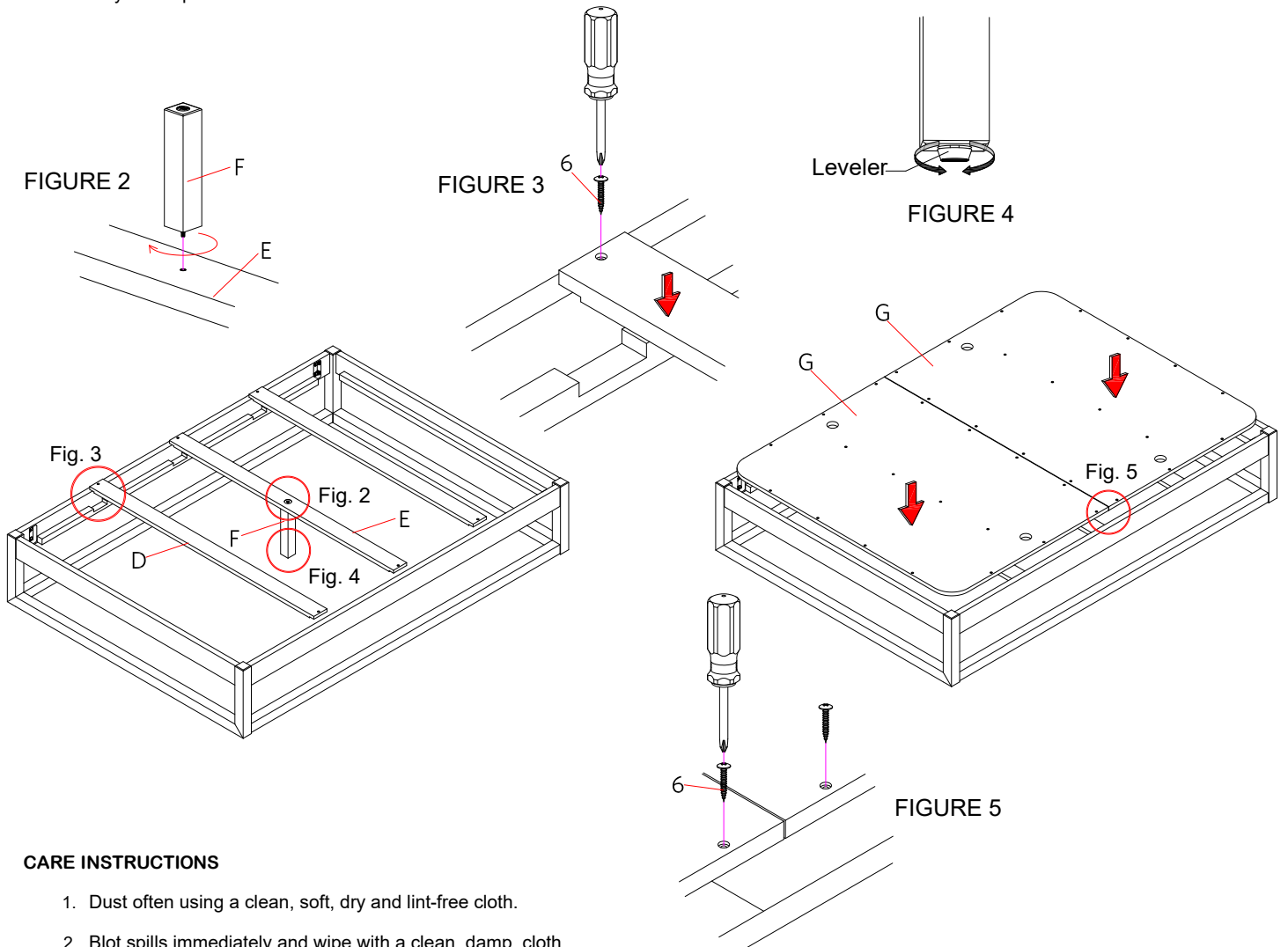
1. Lay the Headboard (A) upside down on a scratch free surface.
2. Secure the threaded rod (1) to the fixed nut in the headboard (A) by simply turning it manually.
3. Raise the side rail (B) up and place the rod (1) to align with the bore holes on the end of the side rail (B), Bottom side rail (C). Put the side rail (B), Bottom side rail (C) up against the headboard (A) so the threaded rods (1) go through the bore holes. Insert plain washer (2), lock washer (3) and place hexagon nuts (4) on threaded rod (1) then tighten the hex nuts (4) with wrench (5), as illustrated in FIGURE 1A & 1B.
4. Repeat the above procedure with the other side rail (B), bottom side rail (C) to attach it to the headboard (A), and then repeat to connect side rails (B) to the footboard (A).



RHTEEN

LAGUNA FULL / QUEEN PLATFORM BED

- Place the Bed assembled upright in the position you wish the bed to be in when fully assembled.
- For packing purpose the center leg of bed slat 2 (E) was removed. Re-install the center leg (F) to the bed slat 2 (E) by turning manual clockwise direction. DO NOT OVER TIGHTEN. See FIGURE 2.
- Set the Bed slat 1 (D) and Bed slat 2 with center leg installed into the cavities on the slat holder rails of the side rails (B). Once the slats are set, secure this with screws (6) provided, as illustrated in FIGURE 3. Check the center leg leveling, if it does not seat level, adjust the leveler on the bottom of the leg, as per illustrated in FIGURE 4.
- Set the platform panel (G) on the bed slat and then use screw (6) to fixed it with bed slat. See FIGURE 5.
- Assembly is complete.



CARE INSTRUCTIONS

- Dust often using a clean, soft, dry and lint-free cloth.
- Blot spills immediately and wipe with a clean, damp, cloth.
- We do not recommend the use of chemical cleansers, abrasives or furniture polish on our lacquered finish.

IMPORTANT SAFETY INSTRUCTIONS

- Please read all instructions carefully before assembling.
- For your safety, assembly by two or more adults is strongly recommended.
- Keep instructions for future use.
- Use only vendor supplied hardware to assemble. Using unauthorized hardware could jeopardize the structural integrity of the item.