

RH TEEN




KEYNES MODULAR 3-DRAWER BASE & HUTCH

PARTS INCLUDED

- A HUTCH
- B DRESSER
- C [2] ADJUSTABLE SHELF

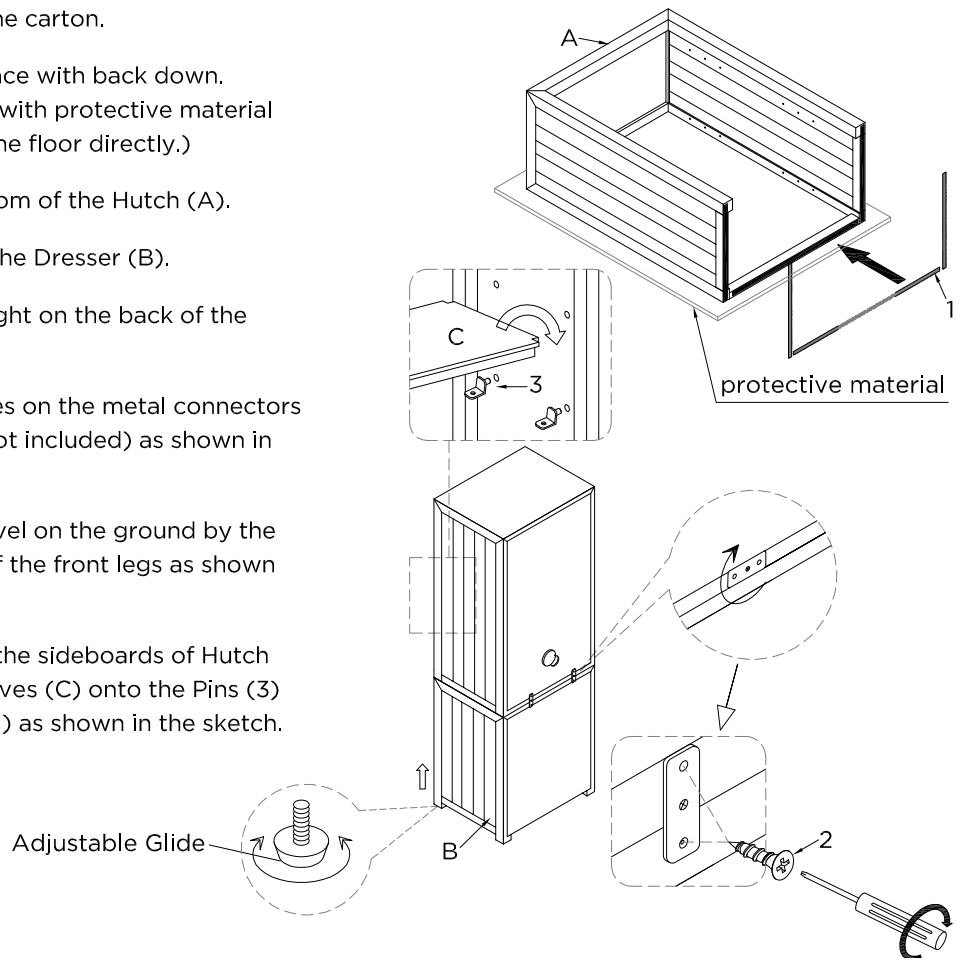
TOOLS NEEDED

Phillips Head Screwdriver (not included)

NO.	ITEM	DESCRIPTION	QTY.
1		Felt Pad	1 set.
2		Screw	4 pcs.
3		Pin	8 pcs.

ASSEMBLY INSTRUCTIONS

1. Carefully unpack the parts from the carton.
2. Place the Hutch (A) on a flat surface with back down.
(Note: the floor must be covered with protective material so that the back is not touching the floor directly.)
3. Apply the Felt Pad (1) to the bottom of the Hutch (A).
4. Position the Hutch (A) on top of the Dresser (B).
5. Rotate the metal connectors upright on the back of the Hutch (A) as shown in the sketch.
6. Insert the Screws (2) into the holes on the metal connectors and secure with a Screwdriver (not included) as shown in the sketch.
7. Note: hutch can be adjusted to level on the ground by the adjustable glides in the bottom of the front legs as shown in the sketch.
8. Insert the Pins (3) to the holes in the sideboards of Hutch (A). Then put the Adjustable Shelves (C) onto the Pins (3) (each shelf with four support pins) as shown in the sketch.



CARE INSTRUCTIONS

1. Clean periodically by wiping the furniture lightly with a soft, clean cloth.
2. We don't recommend using abrasive or chemical cleaners as they may damage the finish.

IMPORTANT SAFETY INSTRUCTIONS

1. The furniture must be assembled by at least two people.
2. Because of the big size and weight of this item, professional installation of the included Anti-Tip kit is required.

RHTEEN

KEYNES COLLECTION

PARTS INCLUDED

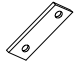





- A [1] UPPER PART
- B [1] BOTTOM PART

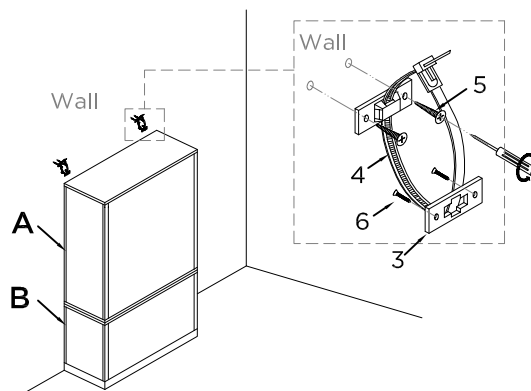
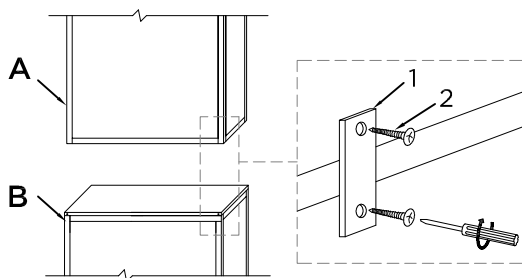
TOOLS NEEDED

Phillips Head Screwdriver (not included)

ASSEMBLY INSTRUCTIONS

- Carefully unpack the contents of the carton.
- Position the Upper Part (A) over the Bottom Part (B).
- Insert the Screws (2) into the slots on the Metal Connector (1), secure it with Screwdriver (not included) and repeat this procedure with the other Metal Connector (1).
- Place two of the Plastic Brackets (3) near the top back edge of the furniture, insert the Short Screw (6) and tighten with Screwdriver (not included).
- Drill two holes in line with the Plastic Brackets (3) on the back side of the furniture piece, attach the second set of Plastic Brackets (3) to the wall by inserting the Long Screws (5).
- Lace one end of the Restraint Strap (4) down through each Plastic Bracket (3), bring both ends together and slide the beaded end until its snap locks into the keyhole slot as shown in the sketch.

NO.	ITEM	DESCRIPTION	QTY.
1		Metal Connector	2 pcs.
2		Screw	4 pcs.
3		Plastic Bracket	4 pcs.
4		Restraint Strap	2 pcs.
5		Long Screw	4 pcs.
6		Short Screw	4 pcs.



CARE INSTRUCTIONS

- Clean periodically by wiping the furniture lightly with a soft, clean cloth.
- We don't recommend using abrasive or chemical cleaners as they may damage the finish.

IMPORTANT SAFETY INSTRUCTIONS

- The furniture must be assembled by at least two people.
- Because of the big size and weight of this item, professional installation of the included Anti-Tip kit is required.