

RH TEEN

JULIET UPHOLSTERED TWIN/FULL BED

PARTS INCLUDED

- A [1] HEADBOARD
- B [2] SIDE RAILS
- C [1] FOOTBOARD
- D [1] SET OF BED SLATS
- E [8] LEG

ASSEMBLY INSTRUCTIONS

1. Gently lay the Headboard (A) and footboard (C) on a flat and non-abrasive surface.

NOTE: There are holes at the bottom of the headboard and footboard with pre-installed nuts that correspond to the threaded rods pre-installed in the leg.

2. Align and insert the threaded rod of the leg (E) into the hole and tighten clockwise, as illustrated in FIGURE 01 and FIGURE 02.







3. Attach the threaded rod (1) to the headboard (A) and the footboard (C). See FIGURE 01.

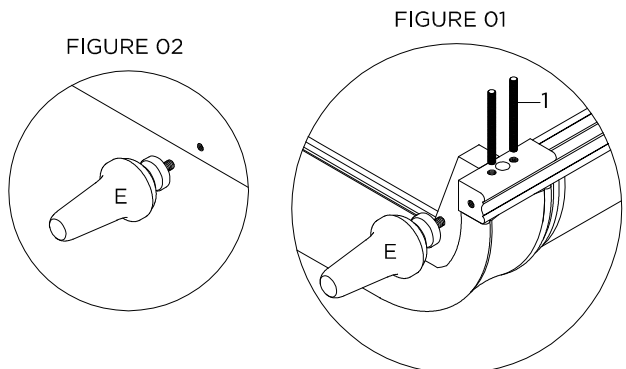
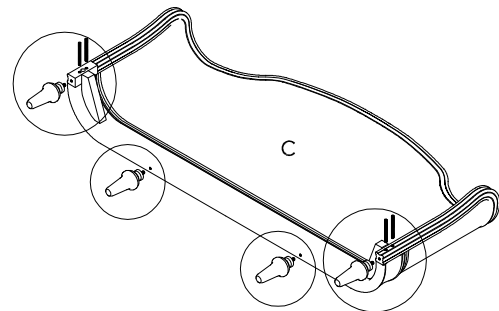
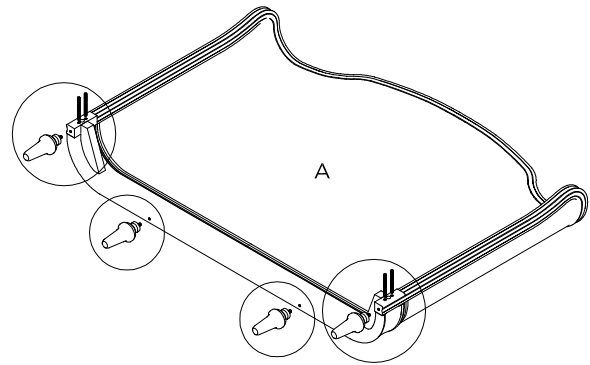
4. Place the headboard (A) upright in the position you wish the bed to be in when fully assembled.

5. Raise the side rail (B) up and place the rod (1) to align with the bore holes on the end of the side rails (B). Put the side rails (B) up against the headboard (A) so the threaded rods go through the bore holes. Insert curved washer (2) and lock washer (3), place hex nuts (4) on threaded rod (1) and tighten hex nuts (4) with wrench (5), as illustrated in FIGURE 03.

6. Repeat the above procedure with the other side rail (B) to attach it to the headboard (A), and then repeat to connect side rails (B) to the footboard (C).

7. On inside surface of both side rails (B) are pre-installed wooden stopper cleats designed to hold the set of bed slats (D). Place bed slats (D) on both sides of the side rails (B), with the third to the last slat on either side of the stopper cleat, to hold the slats in place. Once the slats (D) are set, secure this with screws (6) provided, as in FIGURE 04.

NO.	ITEM	DESCRIPTION	QTY.
1		Threaded Rod	8 pcs.
2		Curved Washer	8 pcs.
3		Lock Washer	8 pcs.
4		Hex Nut	8 pcs.
5		Wrench	1 pc.
6		Screw	26 pcs.



RH TEEN

JULIET UPHOLSTERED TWIN/FULL BED

FIGURE 03

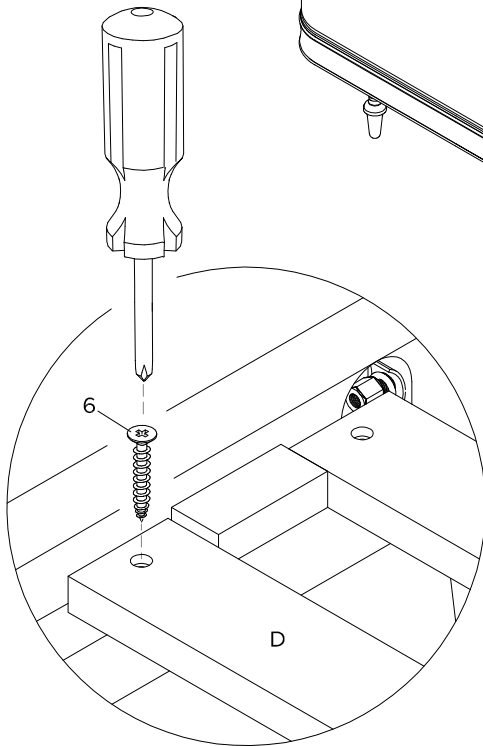
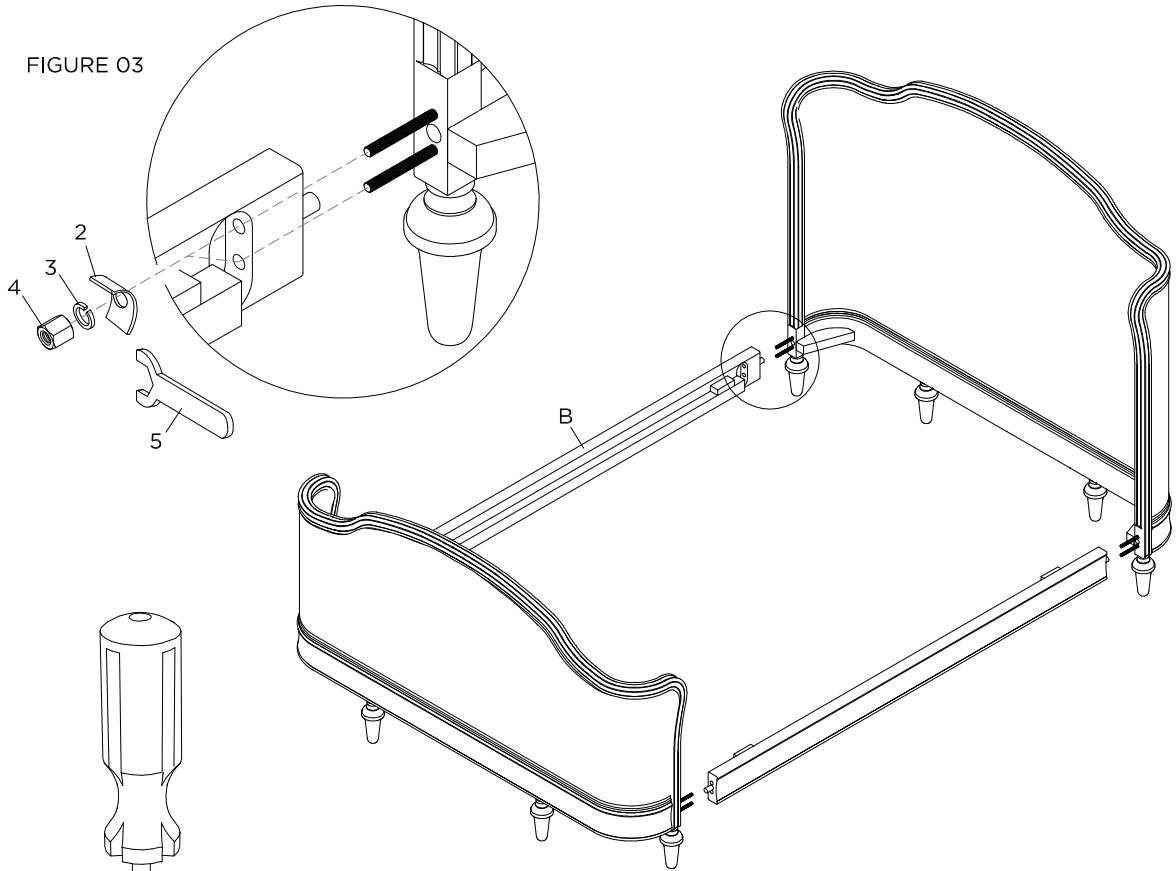


FIGURE 04

