

RH TEEN






JULIET UPHOLSTERED QUEEN BED

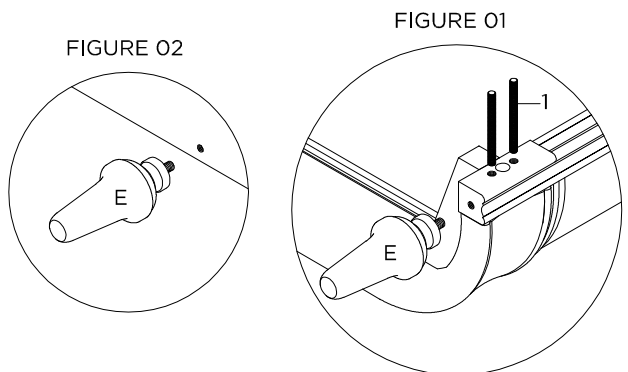
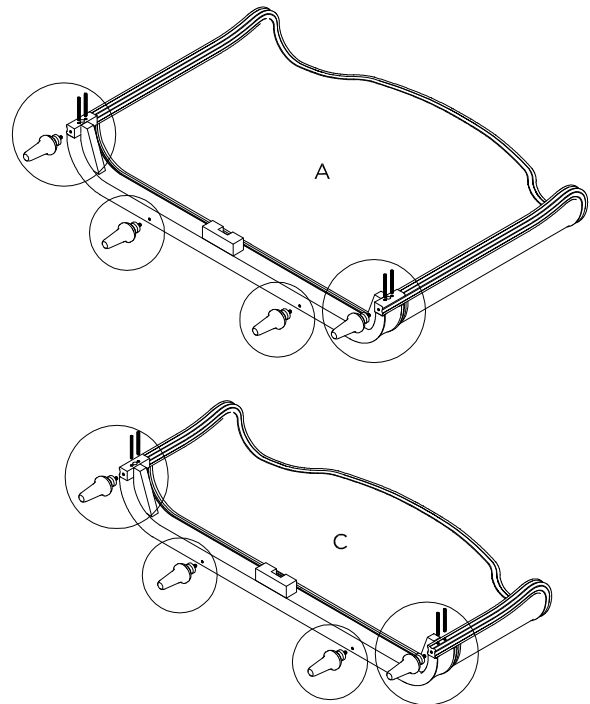
PARTS INCLUDED

- A [1] HEADBOARD
- B [2] SIDE RAILS
- C [1] FOOTBOARD
- D [7] BED SLATS
- E [8] LEG
- F [1] SUPPORT SLAT

ASSEMBLY INSTRUCTIONS

1. Gently lay the Headboard (A) and footboard (C) on a flat and non-abrasive surface.
 Note: There are holes at the bottom of the headboard (A) and footboard (C) with pre-installed nuts that correspond to the threaded rods pre-installed in the leg.
2. Align and insert the threaded rod of the leg (E) into the hole and tighten clockwise, as illustrated in FIGURE 01 and FIGURE 02.
3. Attach the threaded rod (1) to the headboard (A) and the footboard (C). See FIGURE 01.
4. Place the headboard (A) upright in the position you wish the bed to be in when fully assembled.
5. Raise the side rail (B) up and place the rod (1) to align with the bore holes on the end of the side rails (B). Put the side rails (B) up against the headboard (A) so the threaded rods go through the bore holes. Insert curved washer (2) and lock washer (3), place hex nuts (4) on threaded rod (1) and tighten hex nuts (4) with wrench (5), as illustrated in FIGURE 03.
6. Repeat the above procedure with the other side rail (B) to attach it to the headboard (A), and then repeat to connect side rails (B) to the footboard (C).
7. On inside of both headboard (A) and footboard (C) are pre-installed wooden brackets for the support slat (F). Set the support slat (F) on the wood bracket, as illustrated in FIGURE 04.
8. On inside surface of both side rails (B) are cavities designed to hold the individual bed slats (D). Set individual bed slats (D) on both sides of the side rails (B), as illustrated in FIGURE 05.

NO.	ITEM	DESCRIPTION	QTY.
1		Threaded Rod	8 pcs.
2		Curved Washer	8 pcs.
3		Lock Washer	8 pcs.
4		Hex Nut	8 pcs.
5		Wrench	1 pc.



RH TEEN

JULIET UPHOLSTERED QUEEN BED

FIGURE 03

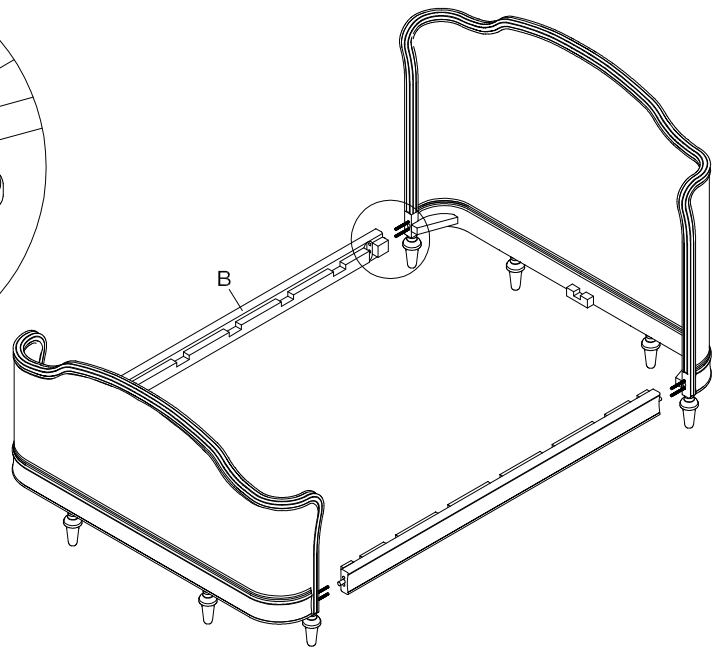
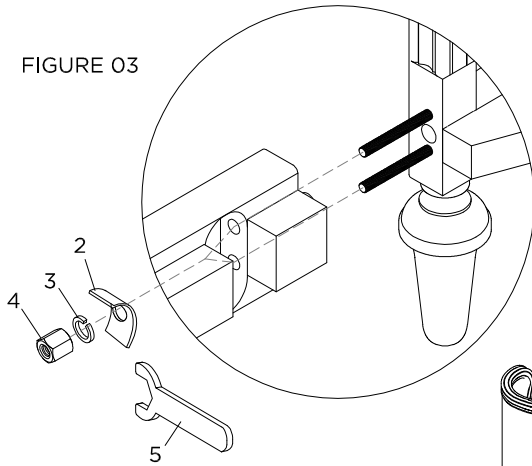


FIGURE 04

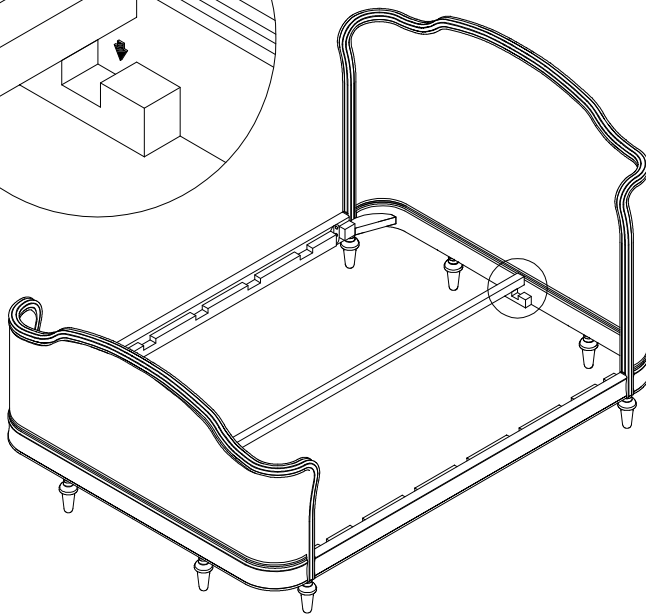
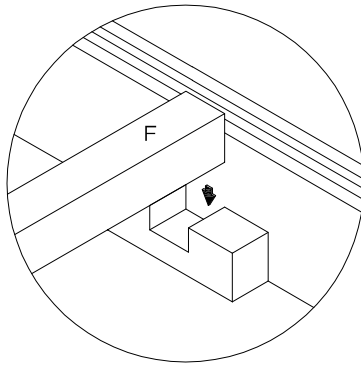


FIGURE 05

