

RHTEEN

GRIER STUDY WALL INSTRUCTIONS



WARNING :

FALL HAZARD - To prevent death or serious injury from falls, always keep child within arm's reach.

Never leave child unattended and always use restraining system.

GRIER HUTCH will be used with **GRIER DESK**.

Do not use the **GRIER HUTCH** or **GRIER DESK** if damaged or broken.

Customer Service

- If you are missing parts or have any questions about this product, please contact us at : 1-800-762-1751.

IMPORTANT SAFETY INSTRUCTIONS :

Please read all instructions before use of the Hutch or Desk. For your safety, assembly by two or more adults is recommended. Keep instructions for future use.

PRE-ASSEMBLY :

The illustrations provided allow for easier assembly when used in conjunction with the assembly instructions.

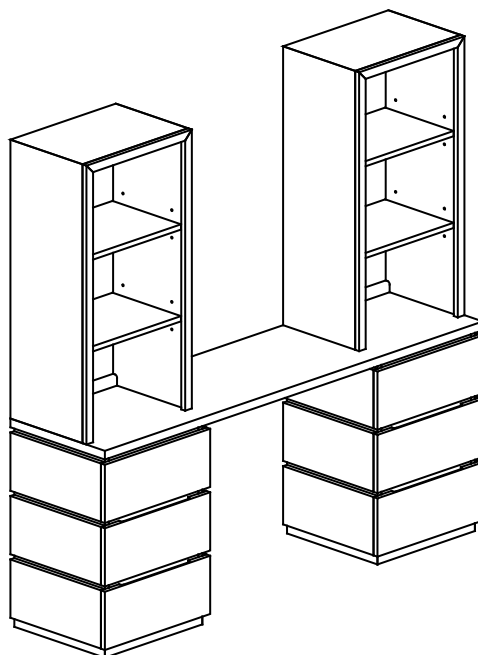
Remove all parts and hardware from the box and lay out on a carpeted or scratch-free work surface.

The shipping box provides an ideal work surface. Do not dispose of any contents until assembly is completed to avoid accidentally discarding small parts or hardware.

Use the parts on the hardware list to identify and separate each of the pieces included prior to starting assembly.

Note: Do not fully tighten the screws until all parts are in place. Failure to follow these instructions may cause the screws to misalign during assembly.

If using power tools to aid in assembly please use caution. Power tools can damage hardware or split wood.



GRIER STUDY WALL INSTRUCTIONS

PARTS INCLUDED

A [2] HUTCH

B [1] DESK

TOOLS NEEDED

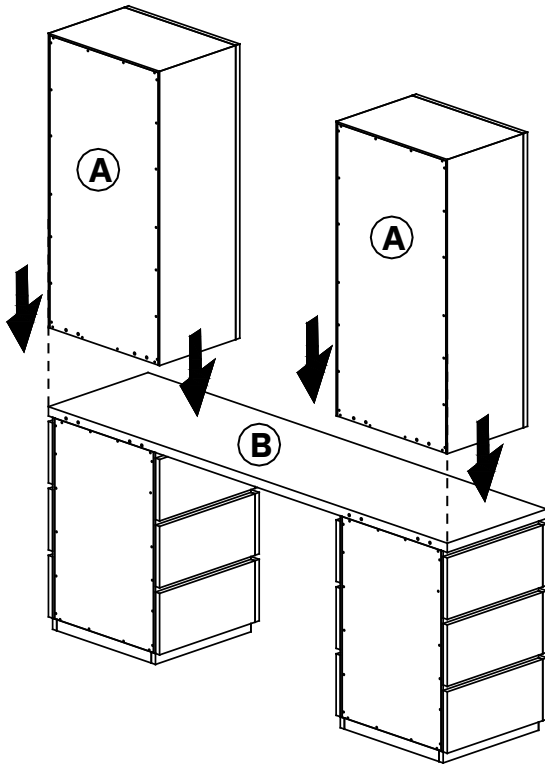


PHILLIPS HEAD SCREWDRIVER (NOT INCLUDED)

ASSEMBLY INSTRUCTIONS:

STEP 1:

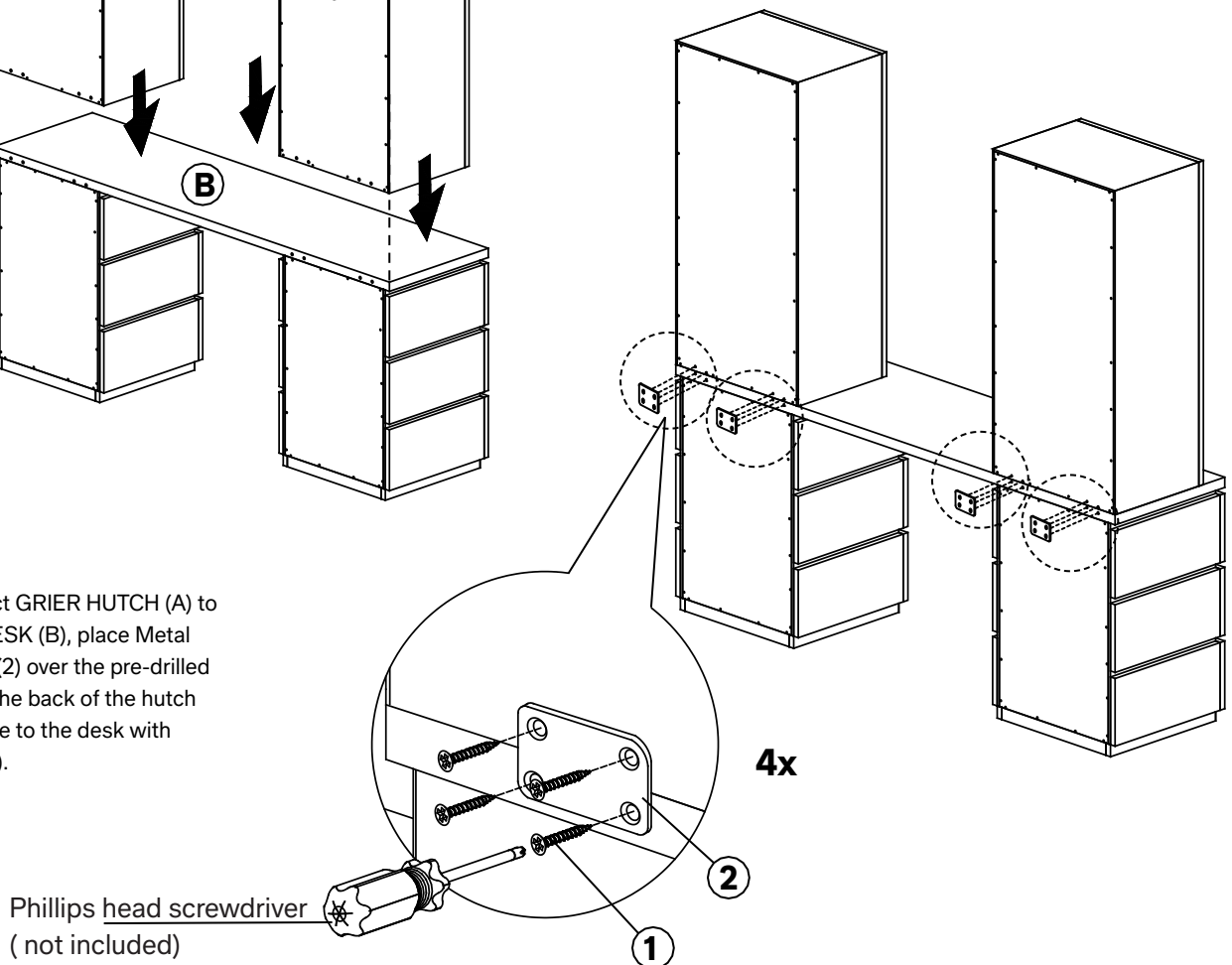
Place the Hutch (A) onto the Desk (B) carefully..



NO.	ITEM	DESCRIPTION	QTY.
1		Screws 7x15 mm	16 pcs.
2		Metal brackets	4 pcs.
3		Plastic anchors	4 pcs.
4		Metal brackets	4 pcs.
5		Cap nut	4 pcs.
6		Phillips screws M4x30 mm	4 pcs.
7		Phillips screws M4x19 mm	4 pcs.
8		Metal cable	2 pcs.

STEP 2:

To connect GRIER HUTCH (A) to GRIER DESK (B), place Metal Brackets (2) over the pre-drilled holes on the back of the hutch and secure to the desk with Screws (1).



GRIER STUDY WALL INSTRUCTIONS

FURNITURE TIPPING RESTRAINT:

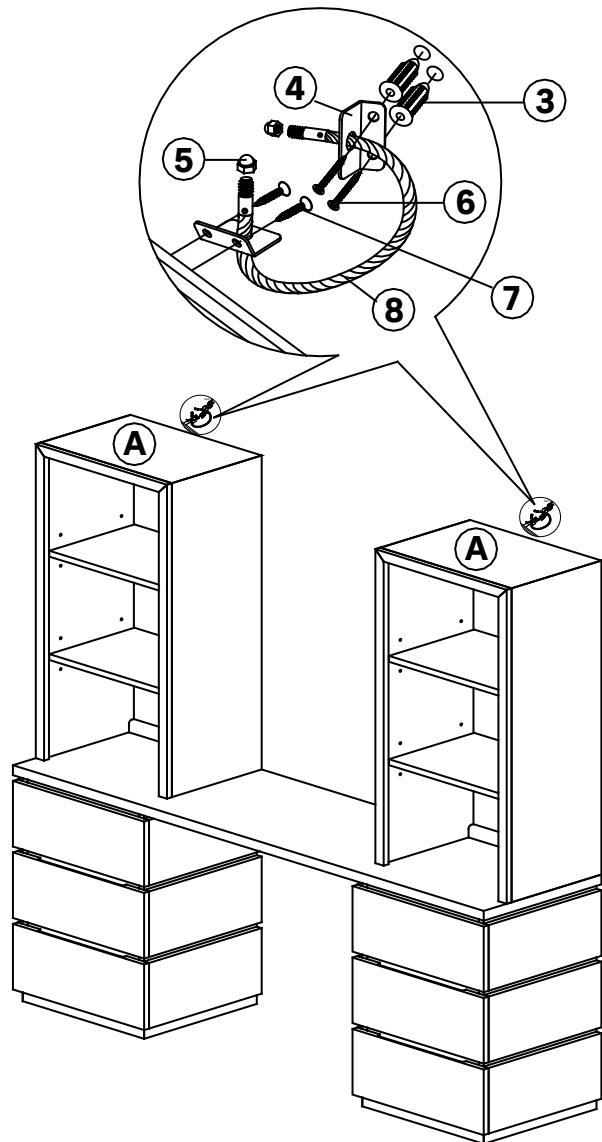
YOUNG CHILDREN MAY BE INJURED BY TIPPING FURNITURE AND THE USE OF A TIPPING RESTRAINT IS HIGHLY RECOMMENDED. WHEN PROPERLY INSTALLED, THIS RESTRAINT COULD PROVIDE PROTECTION AGAINST THE UNEXPECTED TIPPING OF FURNITURE DUE TO SMALL TREMORS, BUMPS OR CLIMBING. WE RECOMMEND MOUNTING THIS RESTRAINT TO A WALL STUD.

WARNING:

THIS PRODUCT IS ONLY A DETERRENT. IT IS NOT A SUBSTITUTE FOR PROPER ADULT SUPERVISION.

ASSEMBLY INSTRUCTIONS:

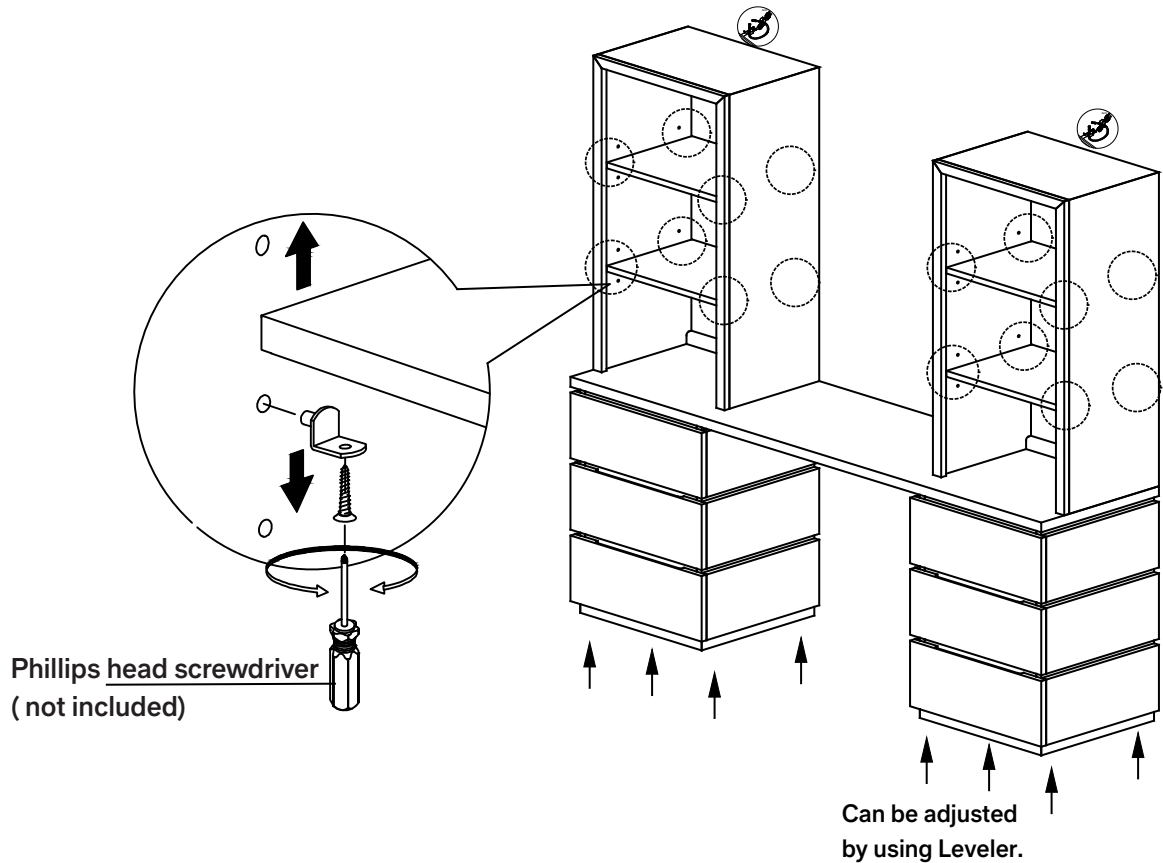
1. ATTACH ONE OF THE METAL BRACKET NEAR THE TOP BACK EDGE OF THE FURNITURE PIECE BY INSERTING THE SHORTER SCREWS.
2. DETERMINE THE FINAL POSITION OF THE FURNITURE PIECE. MARK LOCATION ON THE WALL APPROXIMATELY 2" BELOW THE BRACKET MOUNTED TO THE BACK OF THE FURNITURE.
3. DRILL A STARTER HOLE INTO THE WALL STUD. IF WALL STUD IS NOT AVAILABLE, DRILL A HOLE INTO THE WALL AND INSERT PLASTIC ANCHOR. GENTLY TAP THE ANCHOR UNTIL THE FLANGE OF THE ANCHOR IS FLUSH WITH THE WALL.
4. ATTACH THE SECOND BRACKET BY INSERTING THE LONGER SCREW THROUGH THE BRACKET AND INTO THE WALL.
5. ATTACH ONE OF THE CAP NUTS TO ONE END OF THE METAL CABLE AND SECURE HAND TIGHT. SLIDE THE OPEN END OF THE METAL CABLE THROUGH THE HOLE IN THE BRACKET LOCATED ON THE BACK OF THE FURNITURE.
6. PLACE THE FURNITURE SO THE BRACKET ON THE BACK EDGE IS IN LINE WITH THE BRACKET IN THE WALL. (NOTE: MAY NEED TO MOVE THE BRACKET ON FURNITURE TO LEFT OR RIGHT HORIZONTALLY TO MAKE IT CLOSE ENOUGH TO WALL STUD).
7. SLIDE THE OPEN END OF THE METAL CABLE THROUGH THE BRACKET ON THE WALL AND SECURE HAND TIGHT WITH A CAP NUT.
8. CHECK TO MAKE SURE THE METAL CABLE IS SECURELY LACED AND LOCKED TO THE BRACKETS.
9. CAREFULLY POSITION THE FURNITURE AGAINST THE WALL IN IT'S FINAL POSITION.



GRIER STUDY WALL INSTRUCTIONS

The height of the wooden shelves can be adjusted.
REMOVE THE SCREWS FROM THE SHELF CLIPS TO
ADJUST THE PLACEMENT OF WOODEN SHELVES.

THE ADJUSTABLE LEVELERS SHOULD BE USED
WHEN THE OBJECT IS PLACED ON AN UNEVEN
FLOOR.



CARE INSTRUCTIONS:

1. DUST OFTEN USING A CLEAN, SOFT, DRY LINT-FREE CLOTH.
2. BLOT SPILLS IMMEDIATELY, AND WIPE WITH A CLEAN, DAMP CLOTH.
3. WE DO NOT RECOMMEND THE USE OF CHEMICAL CLEANSERS, ABRASIVES, OR FURNITURE POLISH ON OUR LACQUERED FINISH.