

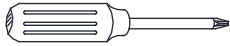
RHTEEN

GRIER WIDE DRESSER INSTRUCTIONS

PARTS INCLUDED

A [1] WIDE DRESSER

TOOLS NEEDED



PHILLIPS HEAD SCREWDRIVER (NOT INCLUDED)

FURNITURE TIPPING RESTRAINT:

YOUNG CHILDREN MAY BE INJURED BY TIPPING FURNITURE AND THE USE OF A TIPPING RESTRAINT IS HIGHLY RECOMMENDED. WHEN PROPERLY INSTALLED, THIS RESTRAINT COULD PROVIDE PROTECTION AGAINST THE UNEXPECTED TIPPING OF FURNITURE DUE TO SMALL TREMORS, BUMPS OR CLIMBING. WE RECOMMEND MOUNTING THIS RESTRAINT TO A WALL STUD.

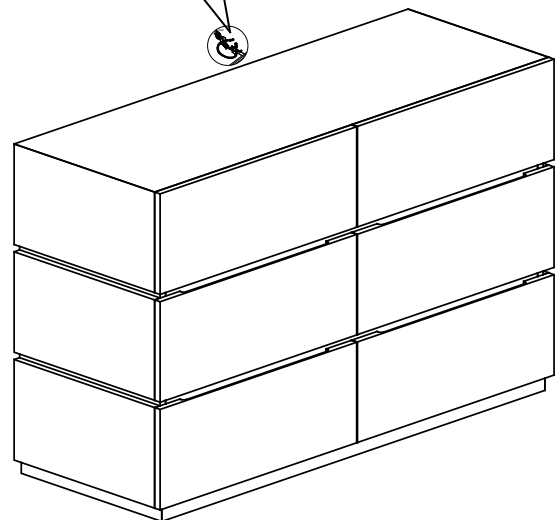
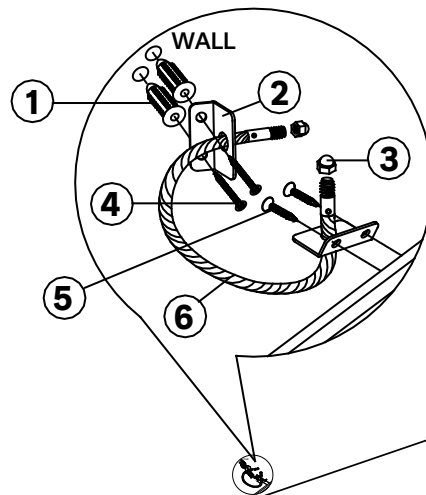
WARNING:

THIS PRODUCT IS ONLY A DETERRENT. IT IS NOT A SUBSTITUTE FOR PROPER ADULT SUPERVISION.

ASSEMBLY INSTRUCTIONS:

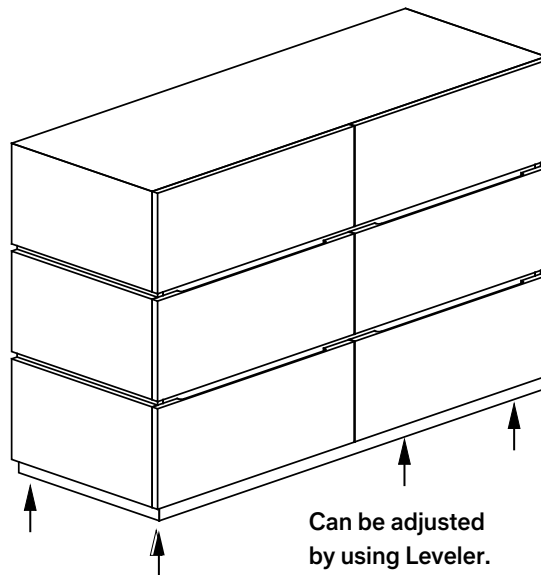
1. ATTACH ONE OF THE METAL BRACKET NEAR THE TOP BACK EDGE OF THE FURNITURE PIECE BY INSERTING THE SHORTER SCREWS.
2. DETERMINE THE FINAL POSITION OF THE FURNITURE PIECE. MARK LOCATION ON THE WALL APPROXIMATELY 2" BELOW THE BRACKET MOUNTED TO THE BACK OF THE FURNITURE.
3. DRILL A STARTER HOLE INTO THE WALL STUD. IF WALL STUD IS NOT AVAILABLE, DRILL A HOLE INTO THE WALL AND INSERT PLASTIC ANCHOR. GENTLY TAP THE ANCHOR UNTIL THE FLANGE OF THE ANCHOR IS FLUSH WITH THE WALL.
4. ATTACH THE SECOND BRACKET BY INSERTING THE LONGER SCREW THROUGH THE BRACKET AND INTO THE WALL.

NO.	ITEM	DESCRIPTION	QTY.
1		Plastic anchors	2 pcs.
2		Metal brackets	2 pcs.
3		Cap nut	2 pcs.
4		Phillips screws M4x30 mm	2 pcs.
5		Phillips screws M4x19 mm	2 pcs.
6		Metal cable	1 pc.



GRIER WIDE DRESSER INSTRUCTIONS

5. ATTACH ONE OF THE CAP NUTS TO ONE END OF THE METAL CABLE AND SECURE HAND TIGHT. SLIDE THE OPEN END OF THE METAL CABLE THROUGH THE HOLE IN THE BRACKET LOCATED ON THE BACK OF THE FURNITURE.
6. PLACE THE FURNITURE SO THE BRACKET ON THE BACK EDGE IS IN LINE WITH THE BRACKET IN THE WALL. (NOTE: MAY NEED TO MOVE THE BRACKET ON FURNITURE TO LEFT OR RIGHT HORIZONTALLY TO MAKE IT CLOSE ENOUGH TO WALL STUD).
7. SLIDE THE OPEN END OF THE METAL CABLE THROUGH THE BRACKET ON THE WALL AND SECURE HAND TIGHT WITH A CAP NUT.
8. CHECK TO MAKE SURE THE METAL CABLE IS SECURELY LACED AND LOCKED TO THE BRACKETS.
9. CAREFULLY POSITION THE FURNITURE AGAINST THE WALL IN IT'S FINAL POSITION.
10. THE ADJUSTABLE LEVELERS SHOULD BE USED WHEN THE OBJECT IS PLACED ON AN UNEVEN FLOOR.



CARE INSTRUCTIONS:

1. DUST OFTEN USING A CLEAN, SOFT, DRY LINT-FREE CLOTH.
2. BLOT SPILLS IMMEDIATELY, AND WIPE WITH A CLEAN, DAMP CLOTH.
3. WE DO NOT RECOMMEND THE USE OF CHEMICAL CLEANSERS, ABRASIVES, OR FURNITURE POLISH ON OUR LACQUERED FINISH.