

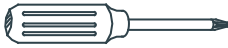
RHTEEN

GRIER FULL/ QUEEN STORAGE BED

PARTS INCLUDED

- A [1] HEADBOARD PANEL
- B [1] FOOTBOARD PANEL
- C [1] STORAGE BOX
- D [1] SIDE RAIL
- E [2] SIDE SLATS
- F [1] CENTER SLAT
- G [2] PLATFORM PANELS
- H [1] SUPPORT LEG

TOOLS NEEDED



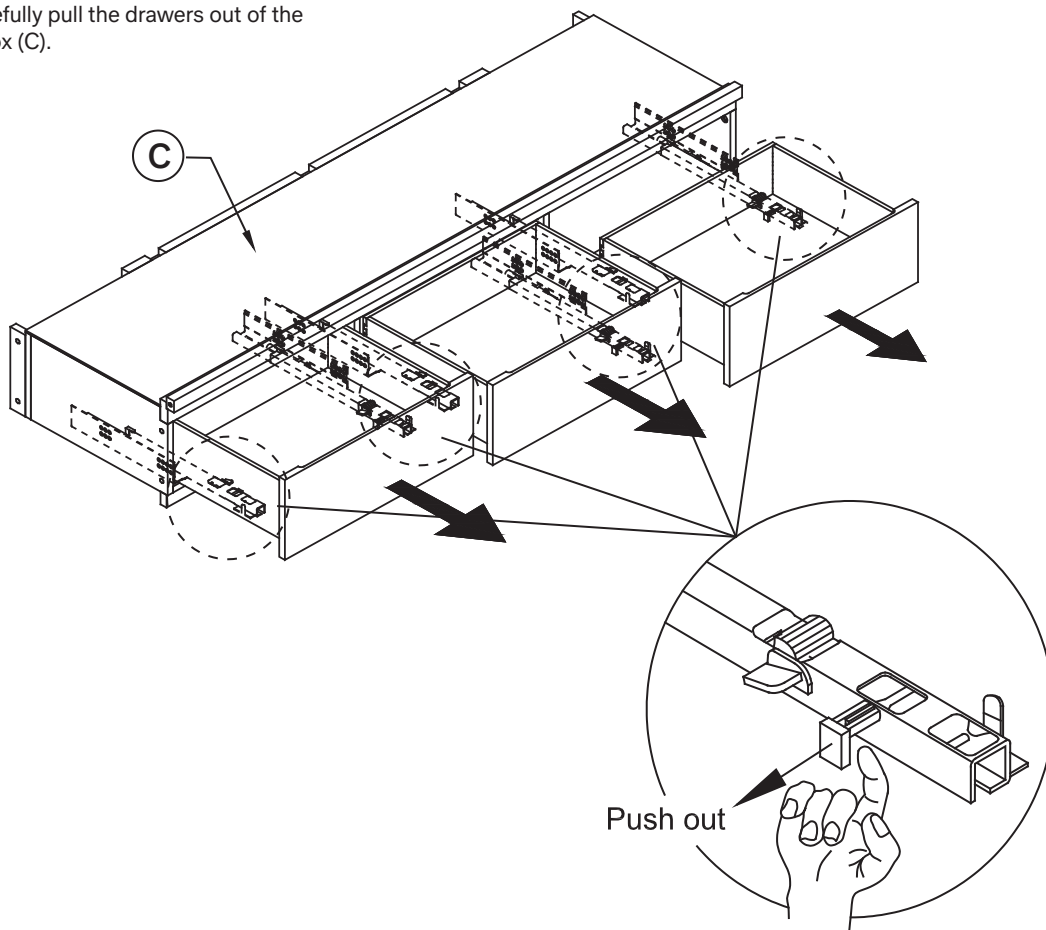
Phillips-Head screwdriver (not included)

NO.	ITEM	DESCRIPTION	QTY.
1		Short Bolts 5/16 " x 1-1/2"	8 pcs.
2		Spring Washers 5/16" x 13mm	12 pcs.
3		Flat Washers 5/16" x 19mm	12 pcs.
4		Long Bolts 5/16 " x 2"	4 pcs.
5		Screws 8 x 30 mm	18 pcs.
6		Allen Key 4 mm	1 pc.

ASSEMBLY INSTRUCTIONS:

STEP 1:

Please carefully pull the drawers out of the Storage Box (C).

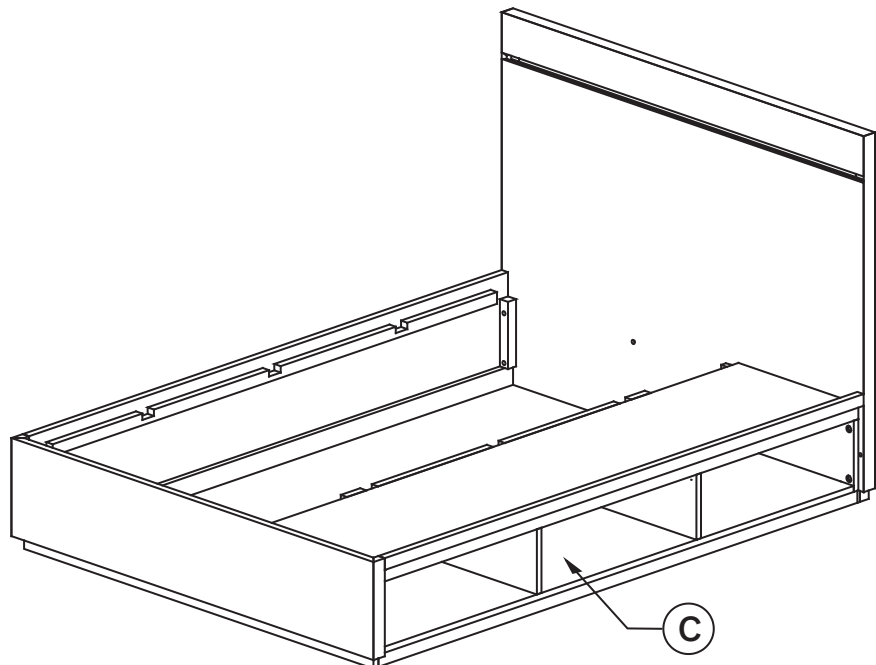
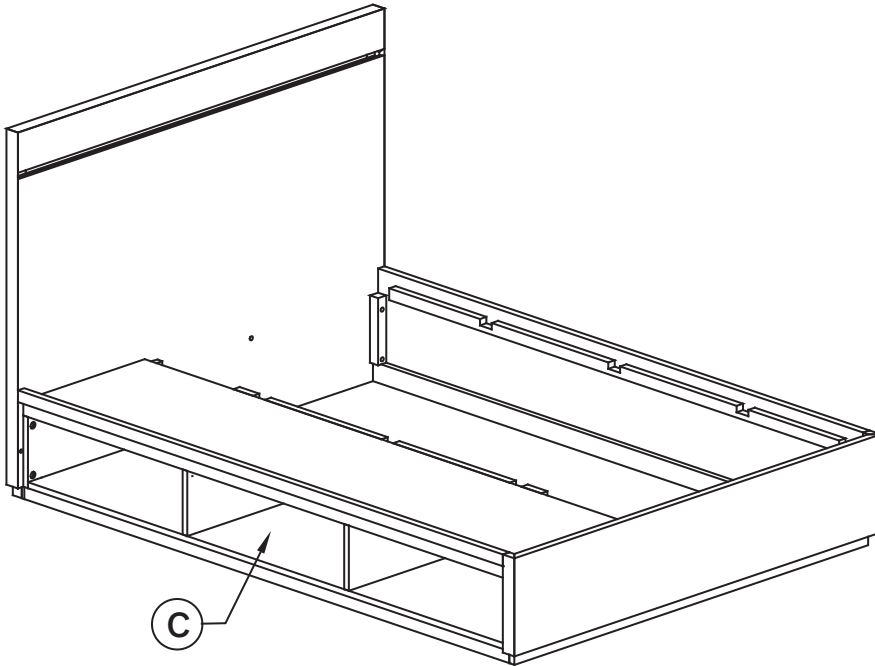


RHTEEN

GRIER FULL/ QUEEN STORAGE BED

STEP 2:

NOTE: Storage Box (C) can be attached to left or right of the bed, depending on where you would like to be positioned.

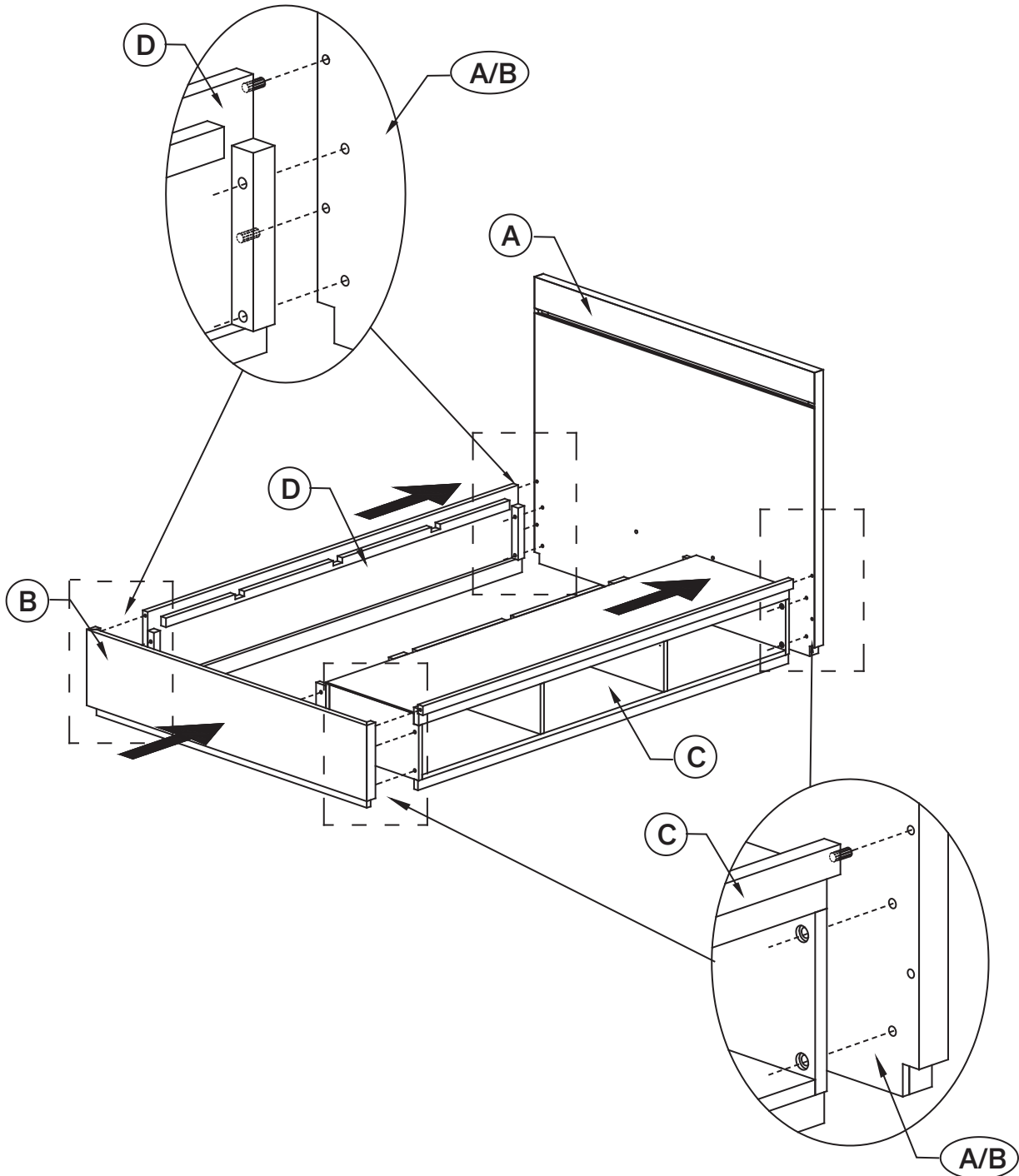


RHTEEN

GRIER FULL/ QUEEN STORAGE BED

STEP 3:

Place the Headboard Panel (A)/ Footboard Panel (B) to the Storage Box (C) and Side Rail (D) by aligning wooden dowel on the Storage Box (C) and Side Rail (D) with the pre-drilled holes on Headboard Panel (A)/ Footboard Panel (B).



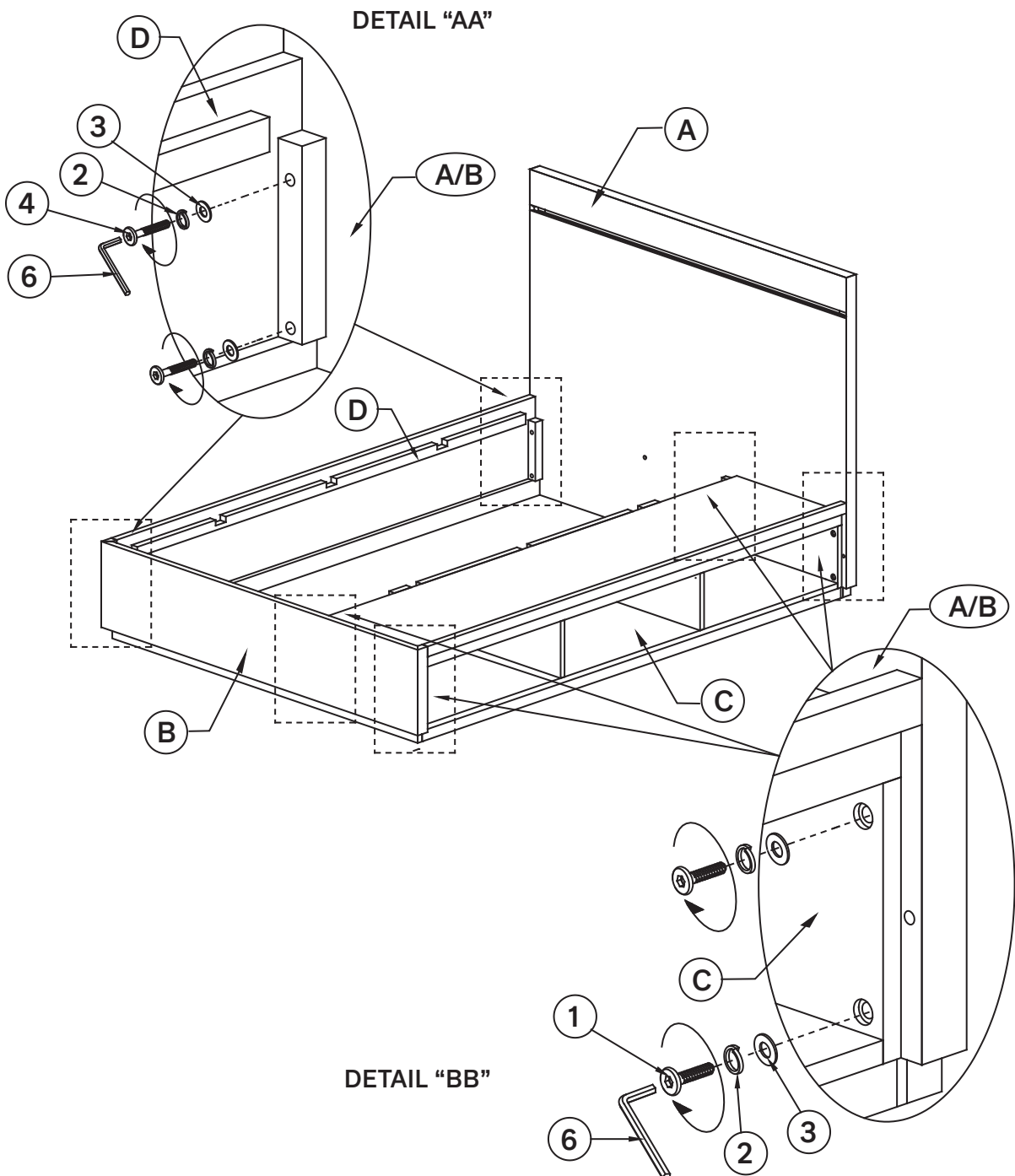
RHTEEN

GRIER FULL/ QUEEN STORAGE BED

STEP 4:

- Attach the Side Rail (D) to the Headboard Panel (A)/ Footboard Panel (B) by using Long Bolts (4), Spring Washers (2), Flat Washers (3), and tighten with Allen Key (6). (Refer to Detail "AA").

- Attach the Storage Box (C) to the Headboard Panel (A)/ Footboard Panel (B) by using Short Bolts (1), Spring Washers (2), Flat Washers (3), and tighten with Allen Key (6). (Refer to Detail "BB").

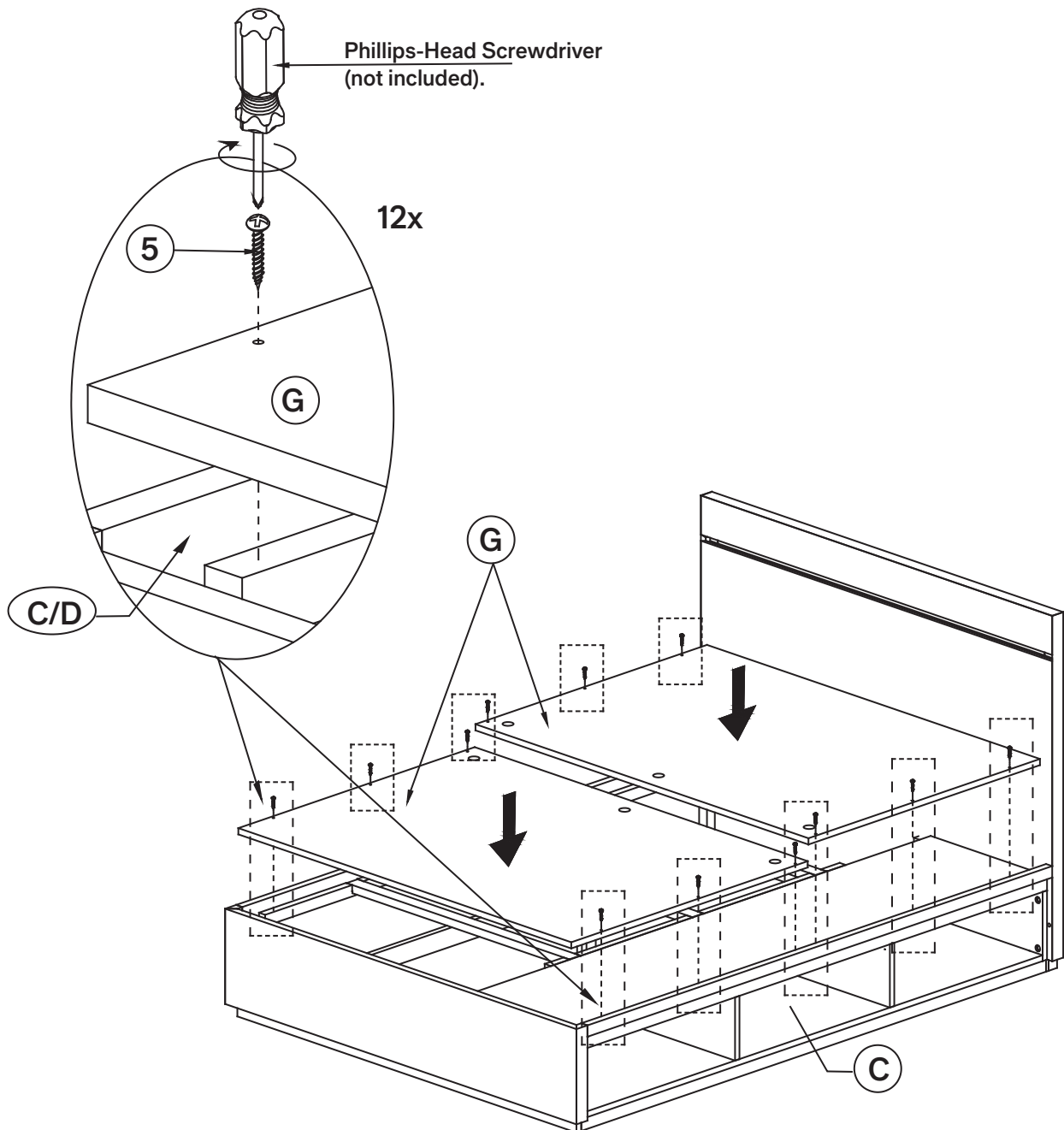


RHTEEN

GRIER FULL/ QUEEN STORAGE BED

STEP 7:

Lay the Platform Panels (G) on top of the Slats (E/F) and attach using Qty.12 Screws (5) with Phillips-Head Screwdriver.

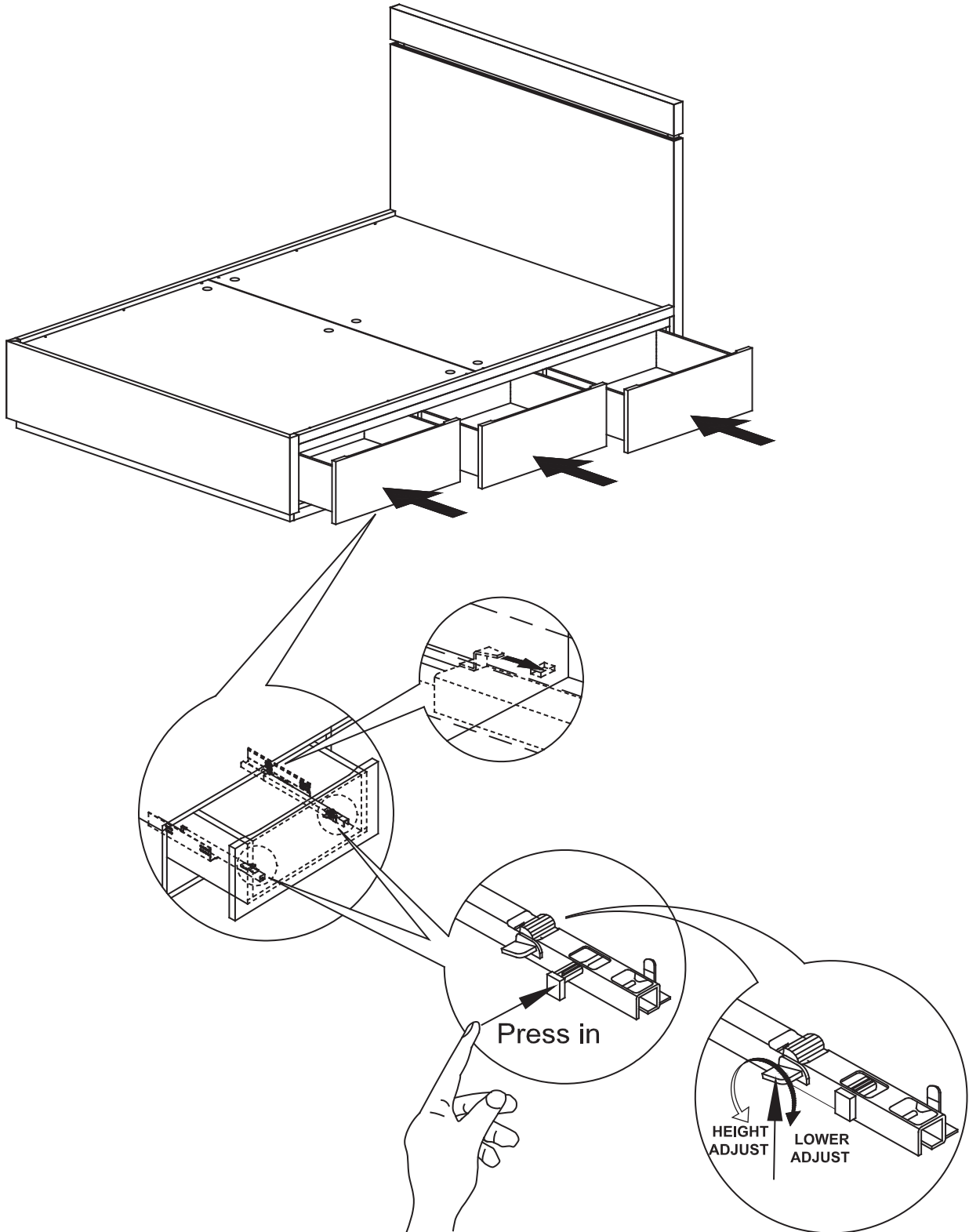


RHTEEN

GRIER FULL/ QUEEN STORAGE BED

STEP 8:

Carefully push the all drawers back into the Storage Box (C).

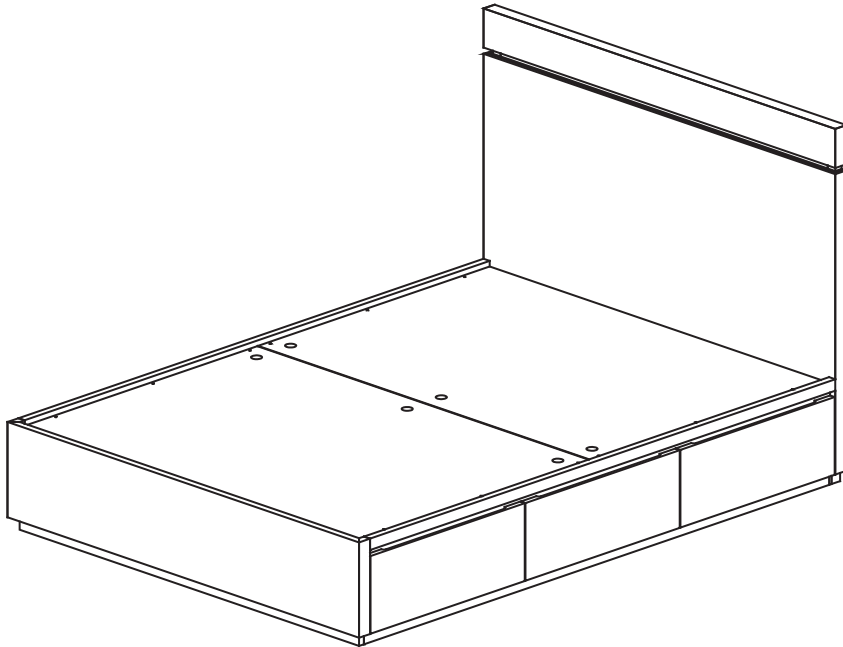


RHTEEN

GRIER FULL/ QUEEN STORAGE BED

STEP 9:

Assembly is complete.



CARE INSTRUCTIONS

- Dust often using a clean, soft, dry lint-free cloth.
- Blot spills immediately, and wipe with a clean, damp cloth.
- We do not recommend the use of chemical cleansers, abrasives, or furniture polish on our lacquered finish.