

RH TEEN

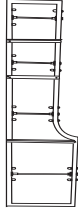
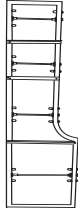


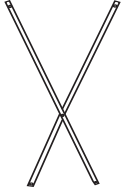
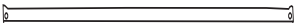



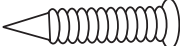
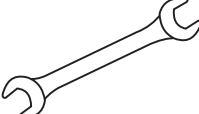

FRENCH LIBRARY SINGLE DESK

Customer Service - If you are missing parts or have any questions about this product please contact us at : 1-800-762-1751

IMPORTANT SAFETY INSTRUCTIONS:

For your safety, it is recommended that two people assemble the unit.

These instructions are provided for your safety. It is important that they are read carefully and completely before installation of the fixture.

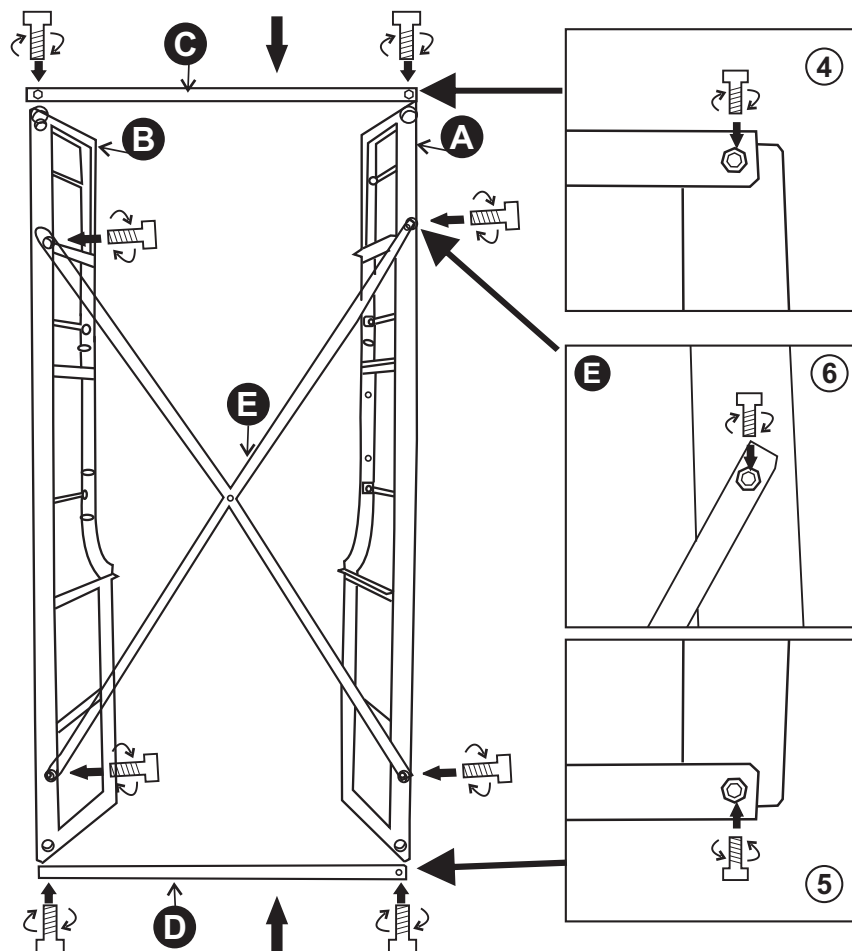
Sr.No.	Item	Description	Qty.
1	A 	Right Section	1
2	B 	Left Section	1
3	C 	Top Support Angle	2
	D 	Bottom Support Angle	1
4	E 	Cross Bracing	1
5	F 	Desk Front Support Angle	1
6	G 	Top Shelf	1
	H 	Narrow Shelf	2
	I 	Wide Shelf	1
7	J 	Screws	23+2
8	K 	Wrench	2
9	L 	Cast Iron Handles	2

RH TEEN

FRENCH LIBRARY SINGLE DESK

ASSEMBLY INSTRUCTIONS

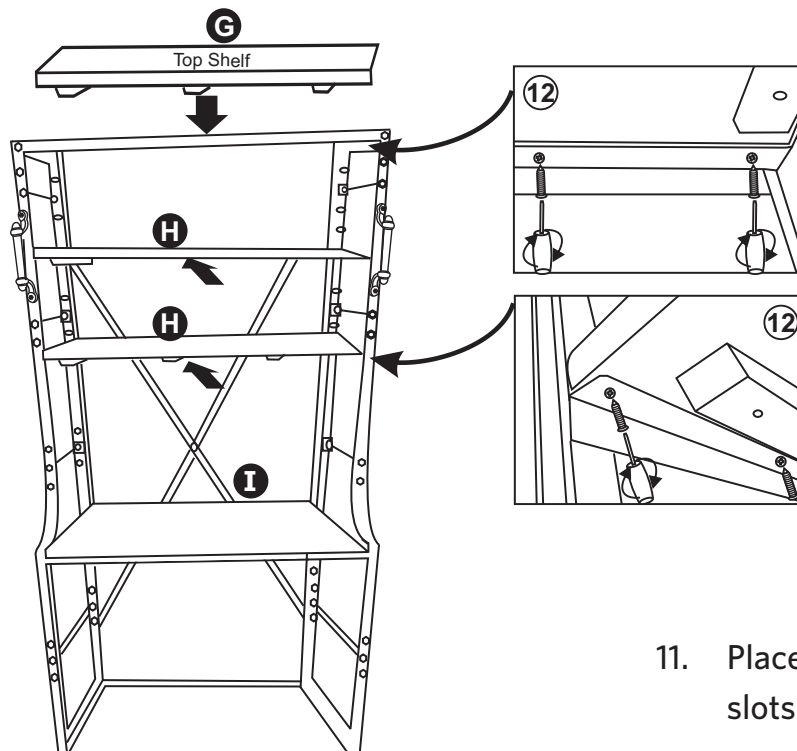
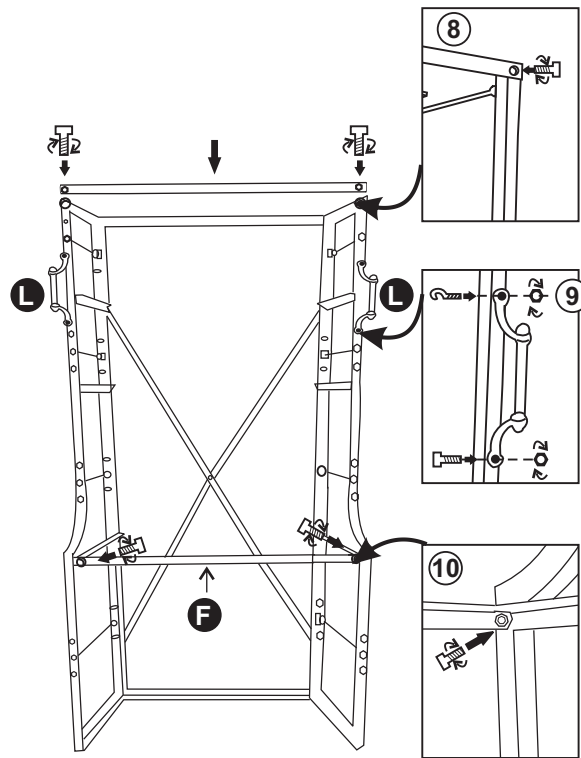
1. Carefully unpack the contents of the carton.
2. Assemble the unit as close to its final location as possible.
3. Place Left Section (A) away from wall and place Right Section (B) next to it.
4. Remove all the pre-installed bolts from the back of Left Section (A) & Right Section (B). Place one of the Top Support Angles (C) on top and re-tighten the bolts back in place.
5. Slightly lift the unit and slide Bottom Support Angle (D) underneath and tighten the bolts back in place.
6. Place Cross Bracing (E) at the back of unit connecting Left Section (A) & Right Section (B) and tighten the bolts back in place.



RH TEEN

FRENCH LIBRARY SINGLE DESK

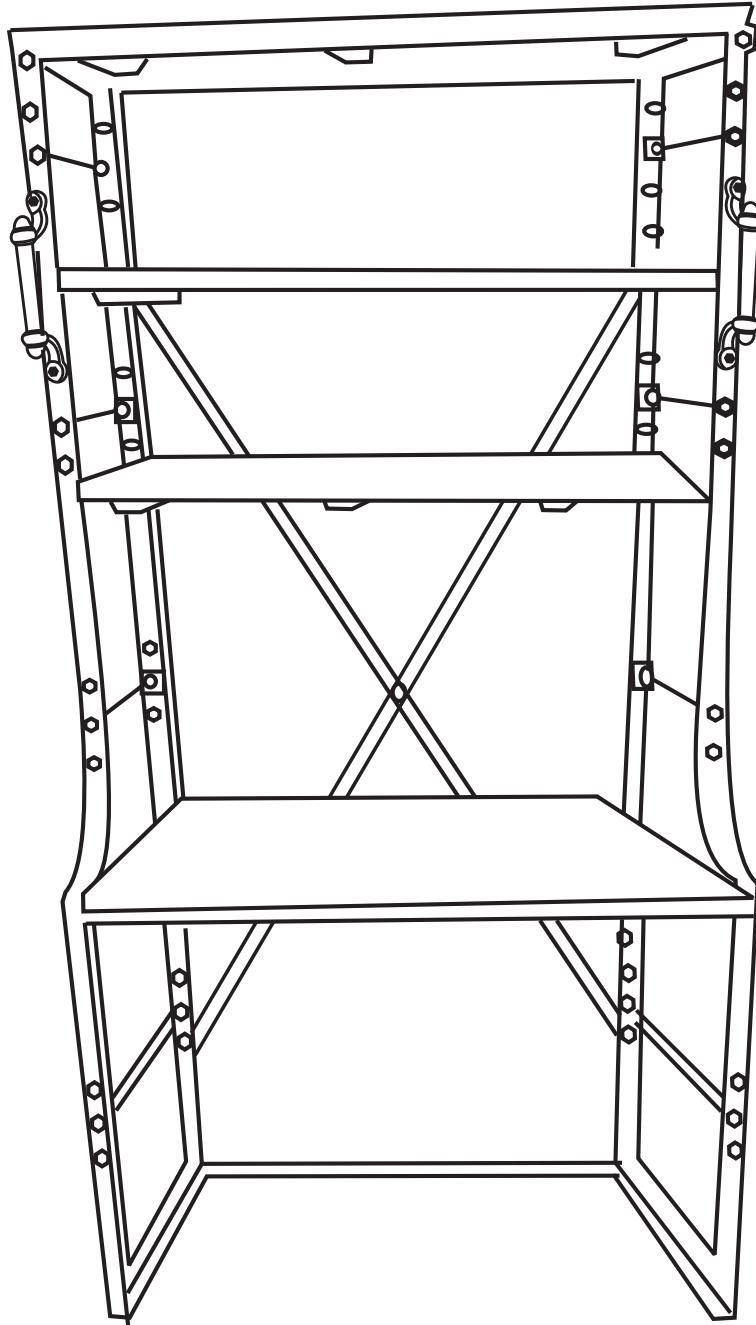
- Slide the unit towards the wall, to the desired final location.
- Remove all the pre-installed bolts from the front of the unit & place the other Top Support Angle (C) on Top and re-tighten the bolts back in place.
- Place Cast Iron Handles (L) on both the Sections and tighten the bolts back in place.
- Place Desk Front Support Angles (F) and re-tighten the bolts.



- Place all the Shelves (G-I) into the slots as shown.
- Screw (J) all the Shelves in place (G-I) as shown in picture 12.

RH TEEN

FRENCH LIBRARY SINGLE DESK



FURNITURE TIPPING RESTRAINT INSTRUCTION



WARNING:

Young children may be injured by tipping furniture and proper installation of the mounting hardware for this item is highly recommended. When properly installed, this mounting hardware could provide protection against the unexpected tipping of this furniture piece.

This product is only a deterrent. It is not a substitute for proper adult supervision.

Hardware Included:



Wall Bracket :
2 Pcs.



Screws :
4 Pcs.



Nylon Strap :
2 Pcs.



Anchors :
4 Pcs.

TOOLS NEEDED

Phillips head screwdriver (not included)

ASSEMBLY INSTRUCTIONS:

1. Determine the final position of the furniture piece. Mark location on the wall approximately 2" below the top of the furniture.
2. Drill a starter hole into the wall stud. If wall stud is not available, drill a hole into the wall and insert plastic anchor. Gently tap the anchor until the flange of the anchor is flush with the wall.
3. Place the furniture so the Side Panels (A) are in line with the brackets on the wall.
4. Lace the supplied nylon straps through the wall bracket & around the side panel. Bring both ends together and slide the beaded end until it snap locks into the keyhole slot.
5. To double lock, return the beaded ends back through keyholes.
6. Check to make sure the straps are securely laced and locked to the brackets.

FIGURE 1

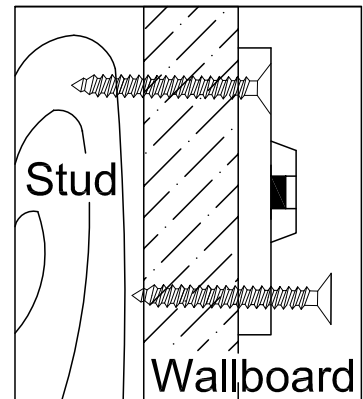
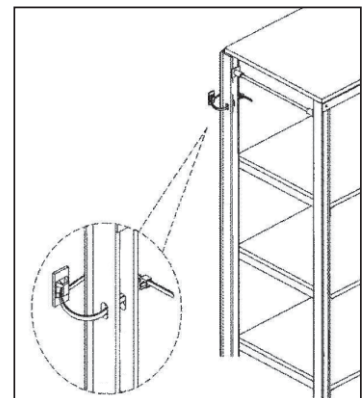


FIGURE 2



CARE INSTRUCTIONS:

To clean, wipe with a soft dry cloth.

Avoid use of harsh chemicals or abrasive cleaners as they may damage the finishes.

Thank you for your purchase