

# RHBABY&CHILD

## DEVYN UPHOLSTERED BUNK BED – ASSEMBLY INSTRUCTIONS

---

### Made in China

MODEL NO. 602355

DEVYN UPHOLSTERED BUNK BED

RH Baby&Child

2900 North MacArthur Dr.

Tracy, CA 95376, USA

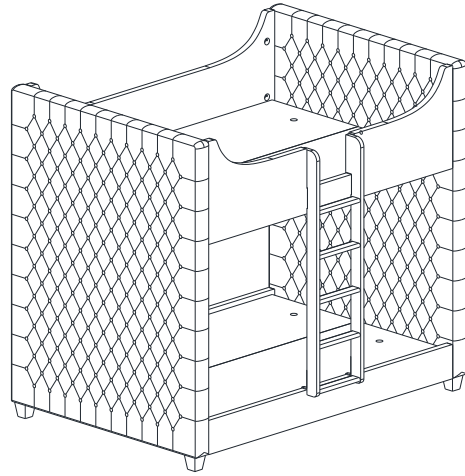
1-800-762-1751

Distributed in Canada by:

RH Canada, Inc.

1500-1055 West Georgia St.,

Vancouver, British Columbia V6E 4N7



**WARNING:** Read all instructions before assembling this product.

**KEEP INSTRUCTIONS FOR FUTURE USE.**

### CUSTOMER SERVICE

If you are missing parts or have any questions about this product, contact us first. You can also order parts by writing to the address above. Include the product model number, color, and a brief description of the part. Or call 1-800-762-1751.

### CARE AND CLEANING

DO NOT scratch or chip the finish. DO NOT use abrasive chemicals for cleaning.

Dust often using a clean, soft, dry cloth. Vacuum to remove dust.

If bunk bed is to be stored, store in a cool, dry place and carefully package all original hardware to protect from loss.

### TOOLS AND INSTALLATION

Tools needed: Key Wrench (included).

Two people are recommended for assembly.

When inserting bolts, turn clockwise until tight. Then loosen 1/2 - 3/4 of a turn.

After bed is completely assembled, return to each bolt and tighten.

# RHBABY&CHILD

## DEVYN UPHOLSTERED BUNK BED – ASSEMBLY INSTRUCTIONS

### IMPORTANT SAFETY INFORMATION FOR BUNK BED

1. Follow the information on the WARNING label attached to the upper bunk end structure and on the box.  
**DO NOT REMOVE WARNING LABEL FROM BED.**
2. Always use the specified mattress size, mattress support, or both to help prevent the likelihood of entrapment or falls.
3. Surface of mattress must be at least 5 inches below the upper edge of guardrails on top bunk.
4. Do not allow children under 6 years of age to use the upper bunk.
5. Do not allow more than one person on upper bunk.
6. Periodically check and ensure that guardrails, ladder, and other components are in their proper position, free from damage, and that all connectors are tight.
7. Do not allow horseplay on or under the bed and do not allow jumping on the bed.
8. Always use the ladder for entering and leaving the upper bunk.
9. Do not use substitute parts. Contact RH for replacement parts.
10. Use of a nightlight may provide added safety precaution for a child using the upper bunk.
11. Use guardrails on both sides of the upper bunk.
12. If the bunk bed will be placed next to a wall, the guardrail that runs the full length of the bed should be placed against the wall to prevent entrapment between the bed and the wall.
13. Do not use a water flotation mattress on the bed.
14. **STRANGULATION HAZARD** – Never attach or hang items to any part of the bunk bed that are not designed for use with the bed, such as hooks, belts, and jump ropes.
15. Keep these instructions for future reference.

### **⚠WARNING**

**To help prevent serious or fatal injuries from entrapment or falls:**

- Never allow a child under 6 years on upper bunk.

- If bunk is Twin/Twin:

Only use a mattress that is 75" long, 38" wide and 7" high on upper bunk, and a mattress that is 75" long, 38" wide and 10" high on lower bunk.

- If bunk is Full/Full:

Only use a mattress that is 75" long, 53" wide and 7" high on upper bunk, and a mattress that is 75" long, 53" wide and 10" high on lower bunk.

- Ensure the thickness of the upper mattress does not exceed 7" and the mattress surface is at least 5" below upper edge of guardrails. The thickness for the lower bunk is 10" high.

- Use guardrails on both sides of upper bunk.

- Prohibit horseplay on or under bed(s).

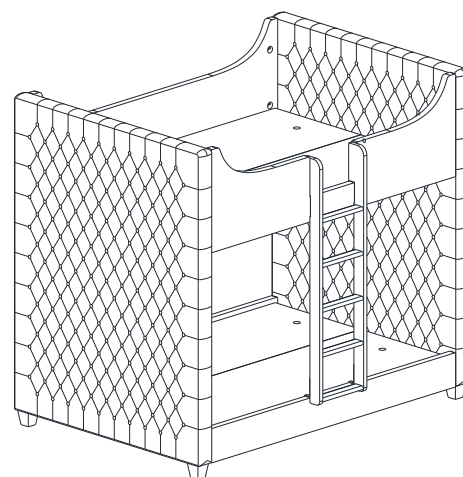
- Prohibit more than one person on upper bunk.

- Use ladder for entering and leaving upper bunk.

- If the bunk bed will be placed next to a wall, the guardrails that run the full length of the bed should be placed against the wall to prevent entrapment between the bed and the wall.

**STRANGULATION HAZARD** - Never attach or hang items to any part of the bunk bed that are not designed for use with the bed, such as hooks, belts and jump ropes.

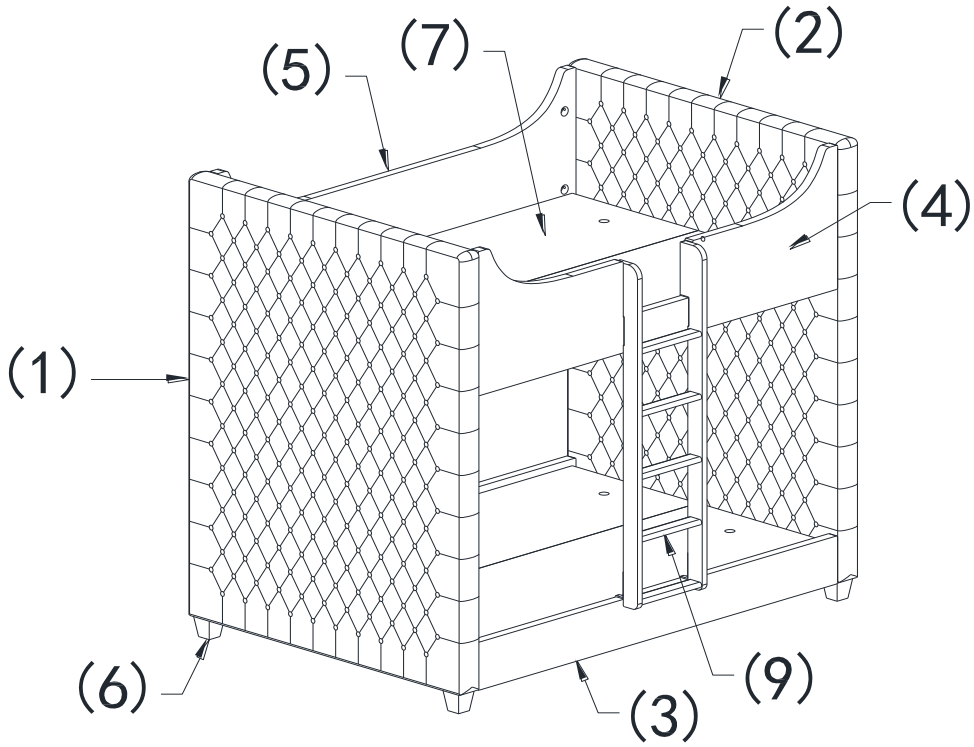
**DO NOT REMOVE THIS LABEL**

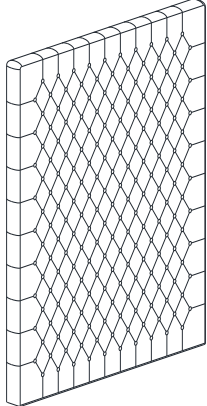
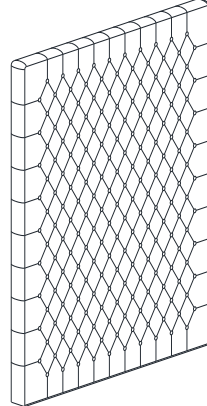
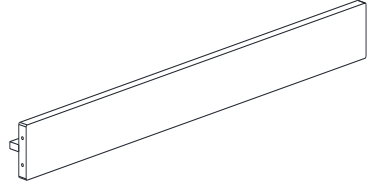
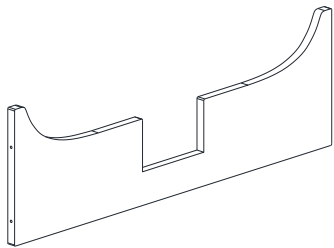
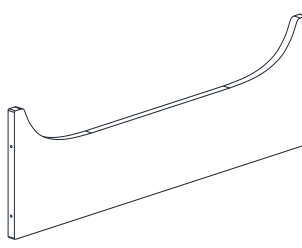
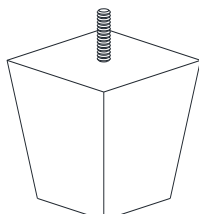


# RHBABY&CHILD

## DEVYN UPHOLSTERED BUNK BED – ASSEMBLY INSTRUCTIONS

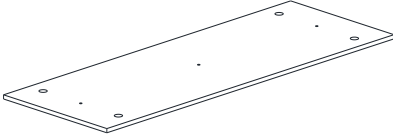
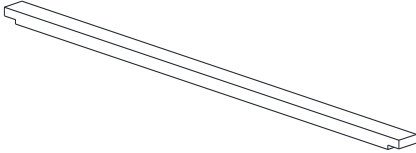
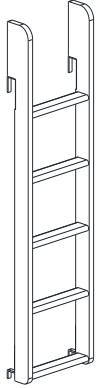
### PARTS INCLUDED



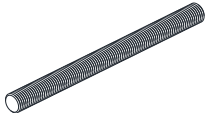
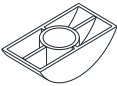
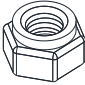




		
<p>(1) Headboard Panel – 1 pc.</p>	<p>(2) Footboard Panel – 1 pc.</p>	<p>(3) Side Rail – 2 pcs.</p>
		
<p>(4) Front Guardrail – 1 pc.</p>	<p>(5) Back Guardrail – 1 pc.</p>	<p>(6) Bed Foot – 4 pcs.</p>

# RHBABY&CHILD


## DEVYN UPHOLSTERED BUNK BED – ASSEMBLY INSTRUCTIONS

		
(7) Platform – 4 pcs.	(8) Platform Slat – 10 pcs.	(9) Ladder – 1 pc.

### HARDWARE INCLUDED

PART	ITEM	DESCRIPTION	QTY.
A		Threaded Rod	16 pcs.
B		Curved Washer	16 pcs.
C		Nut	16 pcs.
D		Big Screw (3cm)	12 pcs.
E		Wrench	1 pc.
F		Wood Peg	4 pcs.
G		Small Screw (2cm)	4 pcs.

### TOOLS NEEDED:

Phillips-head screwdriver (not included) 

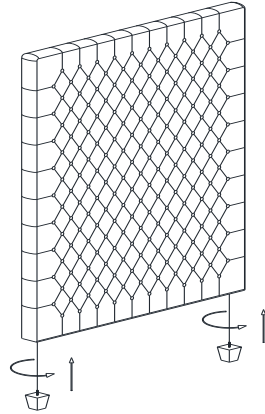
### ASSEMBLY INSTRUCTIONS

- Note:**
- Bed must be assembled by at least two people.
  - Please read instructions carefully before assembling bed.
  - Use the above parts and fittings list to identify each component.
  - Keep all packing materials until assembly is complete to avoid loss of smaller parts.
  - Do not completely tighten all bolts until all steps are finished.

# RHBABY&CHILD

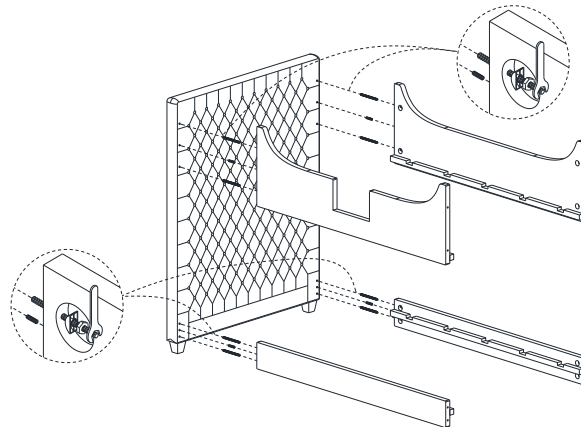
## DEVYN UPHOLSTERED BUNK BED – ASSEMBLY INSTRUCTIONS

**Step 1:** Attach Bed Feet (6) to Headboard Panel (1) and repeat the procedure with Footboard Panel (2).



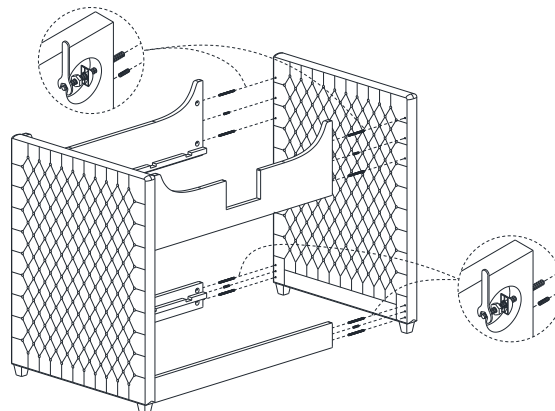
**Step 2:** Attach Side Rails (3) to Headboard Panel (1). Insert the Wood Pegs (F) into the second hole on Side Rails (3), and insert the Threaded Rods (A), Curved Washer (B) and Nut (C) into the other two holes on Side Rails (3). Then tighten the Nut (C) with Wrench (E).

**Step 3:** Attach Guardrails (4) and (5) to Headboard Panel (1). Insert the Threaded Rods (A), Curved Washer (B) and Nut (C) into the holes. Then tighten the Nut (C) with Wrench (E).



**Step 4:** Attach Side Rails (3) to Footboard Panel (2). Insert the Wood Pegs (F) into the second hole on Side Rails (3), and insert the Threaded Rods (A), Curved Washer (B) and Nut (C) into the other two holes on Side Rails (3). Then tighten the Nut (C) with Wrench (E).

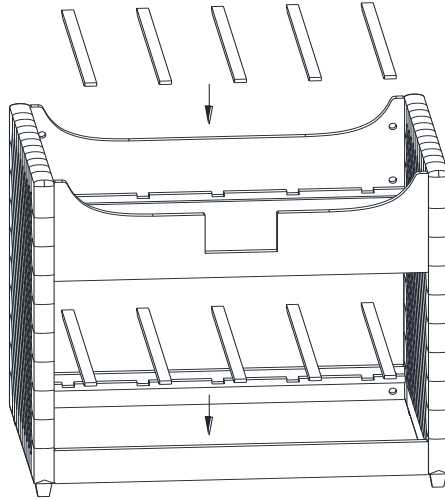
**Step 5:** Attach Guardrails (4) and (5) to Footboard Panel (2). Insert the Threaded Rods (A), Curved Washer (B) and Nut (C) into the holes. Then tighten the Nut (C) with Wrench (E).



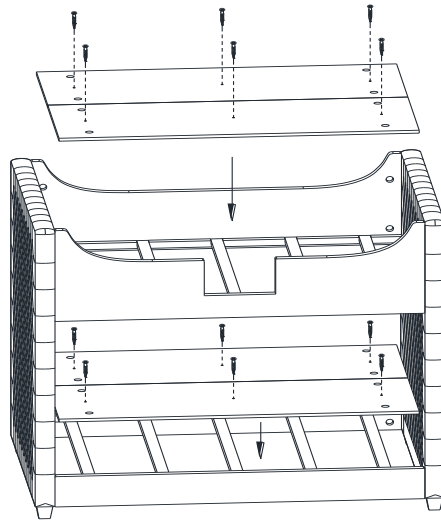
# RHBABY&CHILD

## DEVYN UPHOLSTERED BUNK BED – ASSEMBLY INSTRUCTIONS

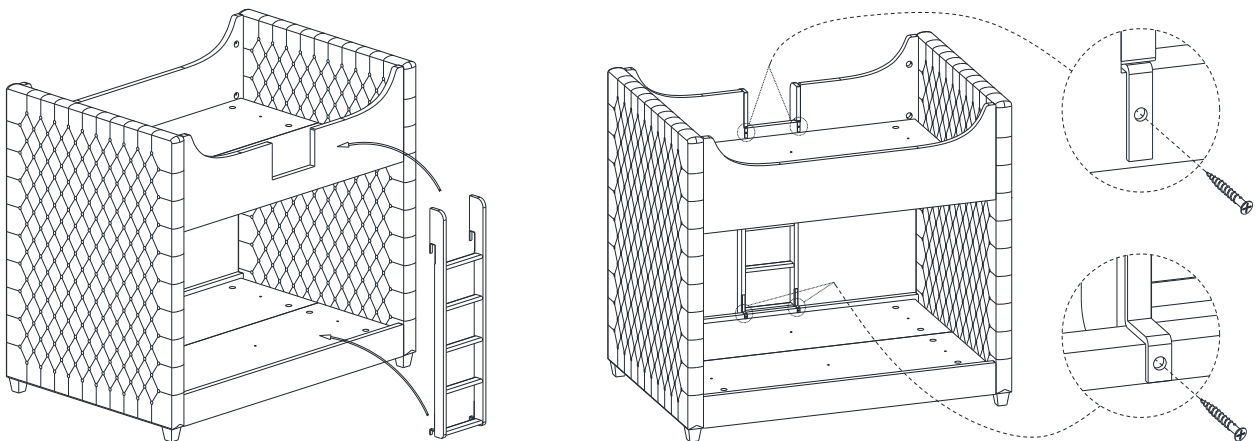
**Step 6:** Lay the Platform Slats (8) in between the Side Rails (3) and Guardrails (4) and (5).



**Step 7:** Lay the Platforms (7), then tighten with Big Screws (D).



**Step 8:** Attach Ladder (9) to Front Guardrail (4), then tighten with Small Screws (G).



# RH BABY & CHILD

## DEVYN UPHOLSTERED BUNK BED – ASSEMBLY INSTRUCTIONS

### Step 9: Install Mattress:

#### MATTRESS SPECIFICATIONS FOR TOP BUNK:

The following size mattress and foundation are specified for use with this bunk bed:

#### MATTRESS DIMENSION SPECIFICATIONS FOR TOP BUNK

Twin-Over-Twin bunk: 75" long x 38" wide x 7" high

Full-Over-Full bunk: 75" long x 53" wide x 7" high

#### MATTRESS DIMENSION SPECIFICATIONS FOR LOWER BUNK

Twin-Over-Twin bunk: 75" long x 38" wide x 10" high

Full-Over-Full bunk: 75" long x 53" wide x 10" high

#### PLATFORM :

- Twin-Over-Twin bunk: consists of 4 platform pieces 73" long x 37.5" wide x 0.7" high

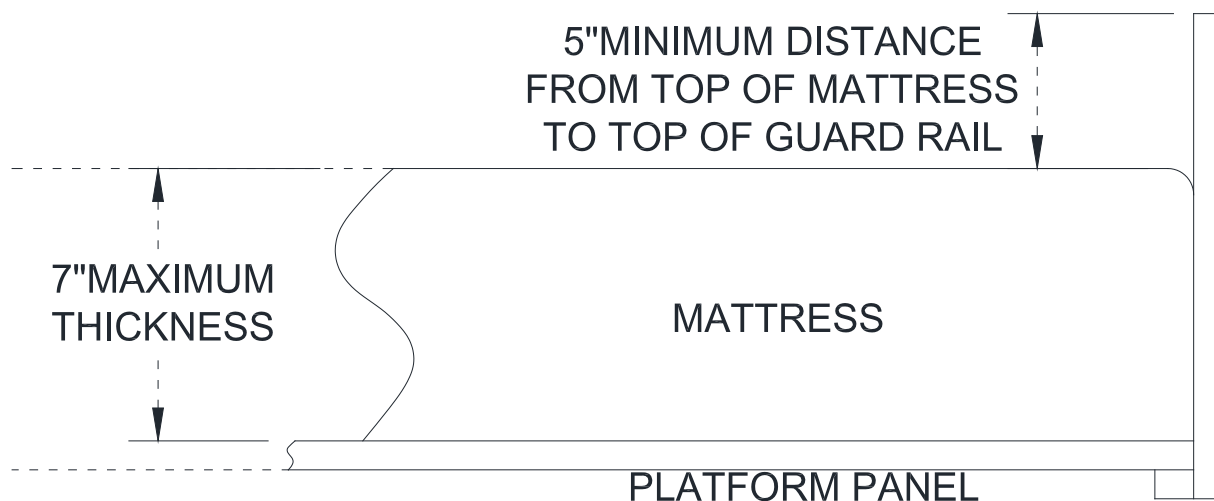
- Full-Over-Full Bunk: consists of 4 platform pieces 73" long x 52.5" wide x 0.7" high

**\*\*Note: MATTRESS THICKNESS MUST NOT EXCEED 7" HEIGHT FOR TOP BUNK.**

Be sure to adhere to these MATTRESS SPECIFICATIONS in order to avoid the possibility of falling or entrapment.

THESE SPECIFICATIONS MUST BE STRICTLY ADHERED TO!

#### UPPER BUNK MATTRESS DIAGRAM



Thank you for your purchase.

[www.rhbabyandchild.com](http://www.rhbabyandchild.com)