

RH TEEN

COLBIN FULL & QUEEN BED

PARTS INCLUDED

- A [1] HEADBOARD
- B [2] SIDE RAILS
- C [1] FOOTBOARD
- D [1] SUPPORT RAIL
- E [1] SET OF BED SLATS

ASSEMBLY INSTRUCTIONS

1. Place the headboard (A) upright in the position you wish the bed to be in when fully assembled. Secure the threaded rod (1) to the fixed nut in the headboard (A) by simply turning it manually.
2. Raise the side rail (B) up and place the rods (1) to align with the bore holes on the end of the side rail (B). Put the side rail (B) up against the headboard (A) so the threaded rods go through the bore holes. Insert curved washers (2) and lock washers (3), place hex nuts (4) on threaded rods (1), then tighten hex nuts (4) with wrench (5), as illustrated in FIGURE 1.
3. Repeat the above procedure with the other side rail (B) to attach it to the headboard (A), and then repeat to connect side rails (B) to the footboard (C).
4. On inside surface of headboard (A) and footboard (C) are brackets designed to hold the support rail (D). Set the support rail (D) into these brackets, as per illustration in FIGURE 2.
5. Set the bed slats (E) on the slat holders of the side rails (B), then secure each slat by inserting screws (6) provided. Refer to FIGURE 3.


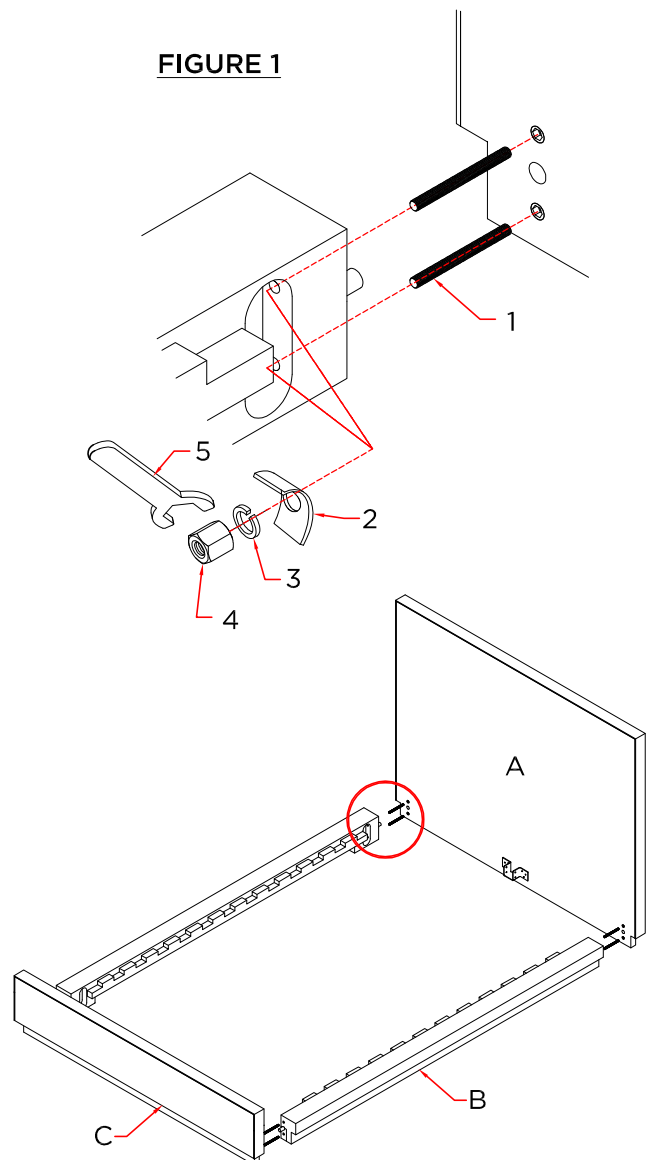
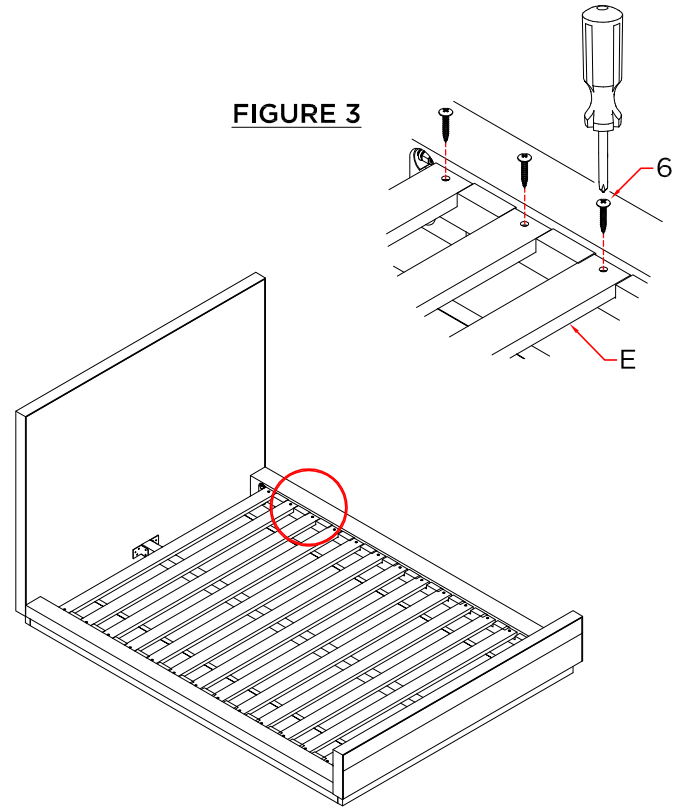
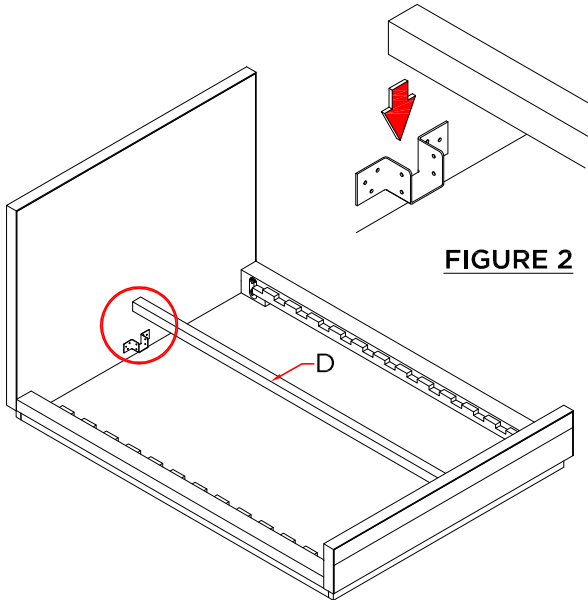
NO.	ITEM	DESCRIPTION	QTY.
1		Threaded Rod	8 pcs.
2		Curved Washer	8 pcs.
3		Lock Washer	8 pcs.
4		Hex Nut	8 pcs.
5		Wrench	1 pc.
6		Screw	26 pcs.

FIGURE 1



RH TEEN

COLBIN FULL & QUEEN BED



CARE INSTRUCTIONS

1. Dust often using a clean, soft, dry and lint-free cloth.
2. Blot spills immediately and wipe with a clean, damp, cloth.
3. We do not recommend the use of chemical cleansers, abrasives or furniture polish on our lacquered finish.

IMPORTANT SAFETY INSTRUCTIONS

1. Please read all instructions carefully before assembling.
2. For your safety, assembly by two or more adults is strongly recommended.
3. Keep instructions for future use.
4. Use only vendor supplied hardware to assemble. Using unauthorized hardware could jeopardize the structural integrity of the item.