

# RHTEEN

## COLBIN BOOKCASE INSTRUCTIONS

### PARTS INCLUDED

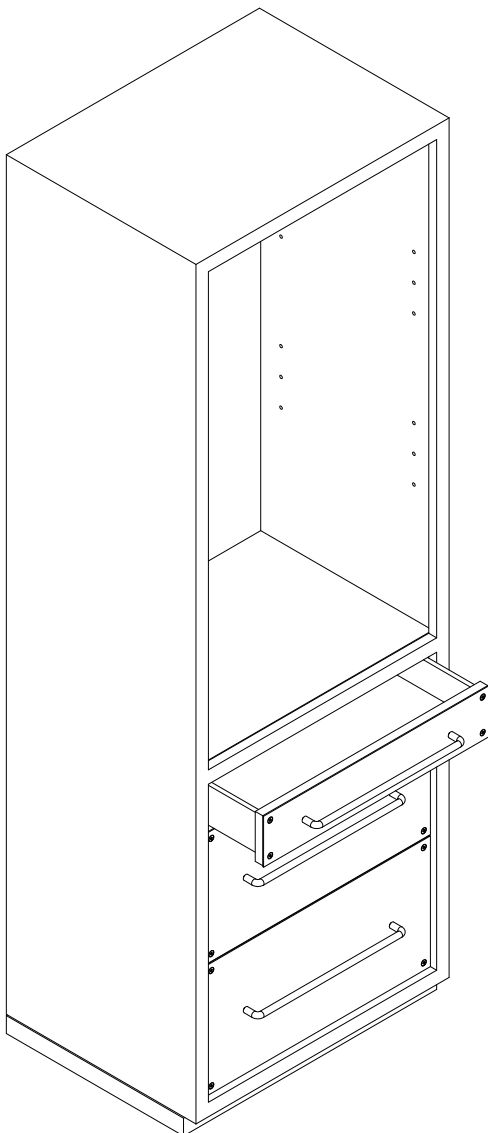
- A [1] BOOKCASE
- B [2] REMOVABLE SHELF PANELS


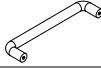
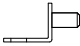


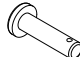






### ⚠ WARNING

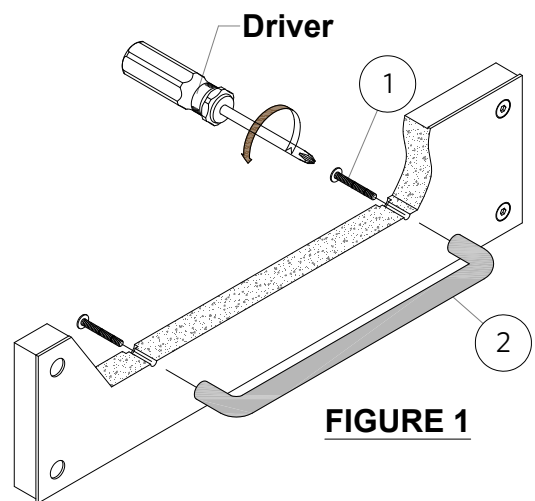
- Use product on carpet or apply optional felt pads to help protect floors.
- Do not pull or push product on the floor.

### ASSEMBLY INSTRUCTIONS

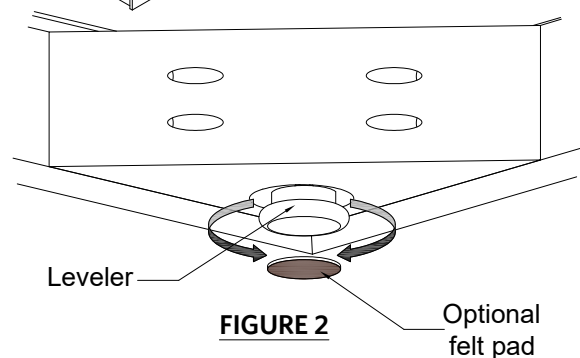
1. For packing purpose, the drawer handles were reversed or removed and put in hardware bag. Attach the handles (2) to the drawer of bookcase by using the Phillips head bolts (1) provided. Repeat this steps to attach handle for other drawers. Refer to FIGURE 1.
2. Check the furniture leveling, if it does not seat level, adjust the leveler on the bottom of the base, as per illustrated in FIGURE 2.
3. Apply glue on the felt pads (11) then stick them underneath the levelers. See FIGURE 2.



NO.	ITEM	DESCRIPTION	QTY.
1		Phillip head Bolt	6 pcs.
2		Handle	3 pcs.
3		Shelf holder	8 pcs.
4		Round head screws (M4 x 15mm)	8 pcs.
5		Metal Bracket	2 pcs.
6		Clevis Pin	2 pcs.
7		Steel Aircraft cable	1 pc.
8		Hair Pin	2 pcs.
9		Short Screw	2 pcs.
10		Long Screw	2 pcs.
11		Felt Pad	4 pcs.
12		Toggle bolt	2 sets



**FIGURE 1**

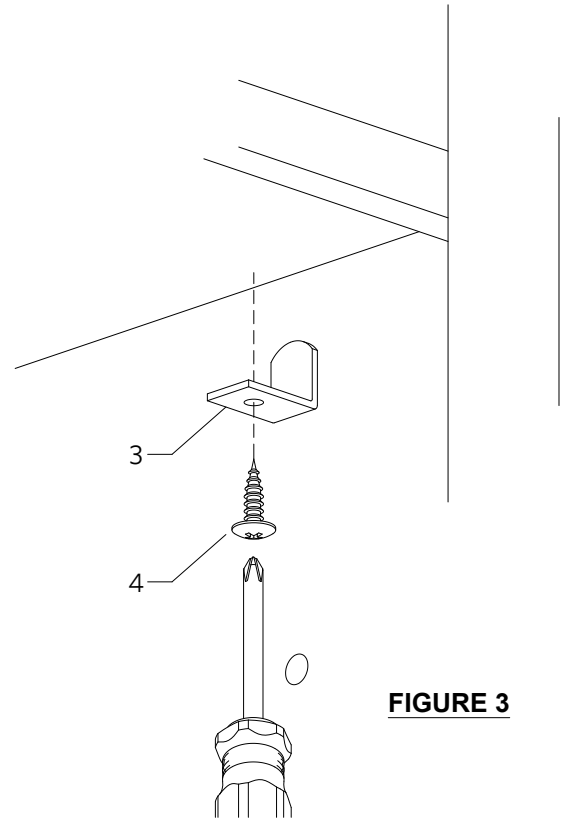
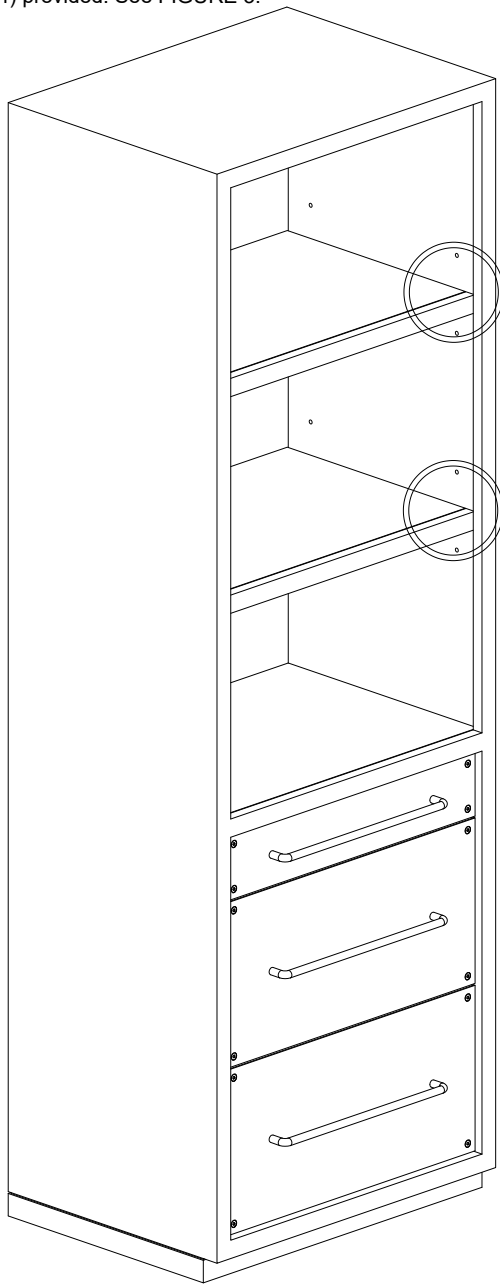


**FIGURE 2**

# RHTEEN

## COLBIN BOOKCASE INSTRUCTIONS

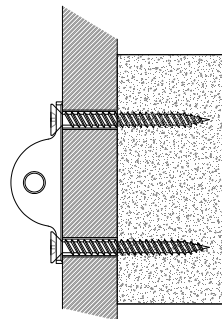
4. Install the metal shelf holders (3), set the removable shelf panels (B) on the shelf holders then fix them together by inserting screws (4) provided. See FIGURE 3.



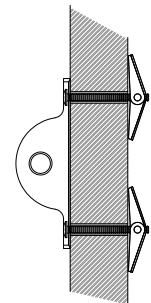
**FIGURE 3**

### ASSEMBLY INSTRUCTIONS BY WALL TYPE :

- DRYWALL WITH STUDS: Use screws to affix to studs, and use hollow wall anchors and screws to affix to drywall. See FIGURE A.
- DRYWALL WITHOUT STUDS: Use toggle bolt and screws to affix to drywall. See FIGURE B.



**FIGURE A**  
DRYWALL W/STUDS



**FIGURE B**  
DRYWALL W/O STUDS

# RHTEEN

## COLBIN BOOKCASE INSTRUCTIONS

### FURNITURE TIPPING RESTRAINT INSTRUCTIONS

Young children may be injured by tipping furniture. The use of a tipping restraint is highly recommended.

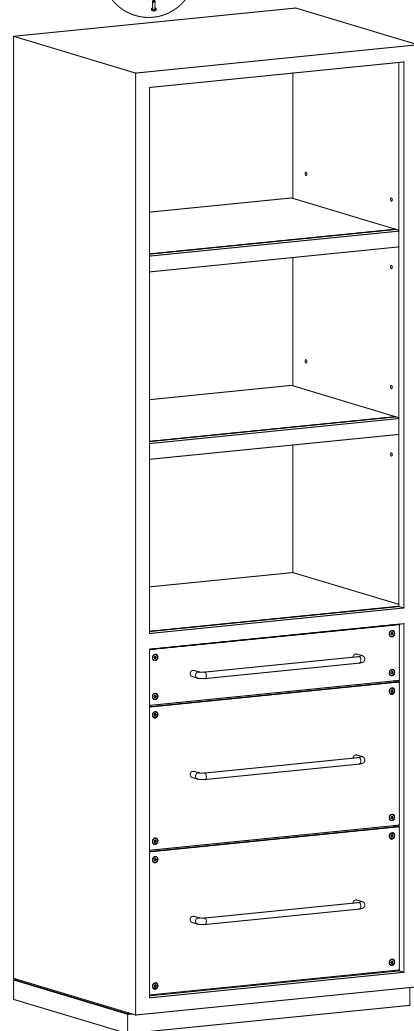
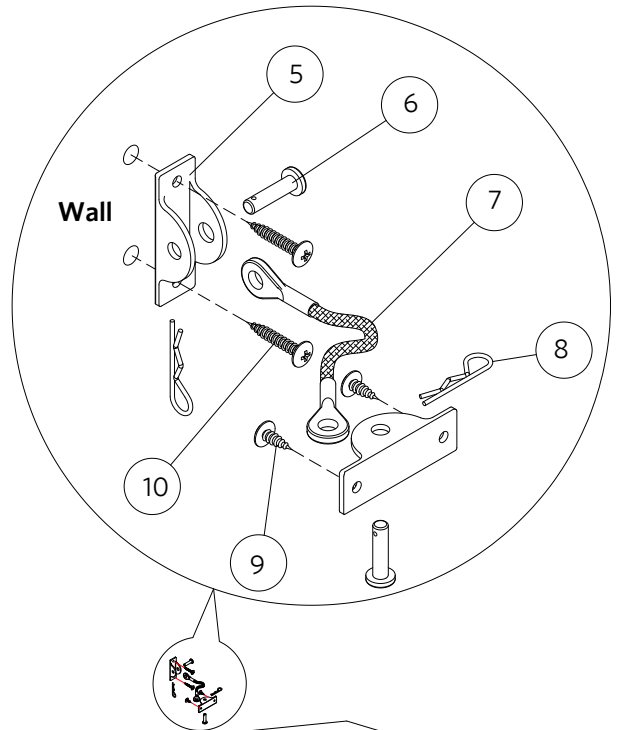
When properly installed, this restraint could provide protection against the unexpected tipping of furniture due to small tremors, bumps or climbing. We recommend mounting this restraint to a wall stud.

**WARNING:** This product is only a deterrent. It is not a substitute for proper adult supervision.

### ANTI-TIP-KIT INSTALLATION INSTRUCTION

**⚠ WARNING:** Always mount metal brackets to solid wood of furniture. Do not attach to plywood of back panels. Always locate and attach to studs. Do not depend on wall anchors.

1. Attach mounting brackets (5) near the middle-top back edge of the furniture piece by inserting the shorter screws (9).
2. Determine the final position of the furniture piece. Mark locations on the wall approximately 2" below the brackets mounted to the back of the furniture.
3. Attach the second brackets by inserting the longer screw (10) or toggle bolt (12) or plastic anchor (DEPEND ON YOUR WALL TYPE) through the bracket and into the wall.
4. Place the furniture so that the brackets on the back edge are in line with the brackets in the wall.
5. Insert the clevis pin (6) through holes on brackets and hole on steel aircraft cable (7). Using hair pin (8) to go through small hole on clevis pin (6) to lock it.
6. Repeat above step to attach the end of air craft cable (7) to the bracket on the wall.
7. Check to make sure the steel aircraft cable are securely laced and locked to the brackets.



### CARE INSTRUCTIONS

1. Dust often using a clean, soft, dry and lint-free cloth.
2. Blot spills immediately and wipe with a clean, damp, cloth.
3. We do not recommend the use of chemical cleansers, abrasives or furniture polish on our lacquered finish.

### IMPORTANT SAFETY INSTRUCTIONS

1. Please read all instructions carefully before assembling.
2. For your safety, assembly by two or more adults is strongly recommended.
3. Keep instructions for future use.
4. Use only vendor supplied hardware to assemble. Using unauthorized hardware could jeopardize the structural integrity of the item.