

RH BABY & CHILD




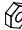


RH TEEN

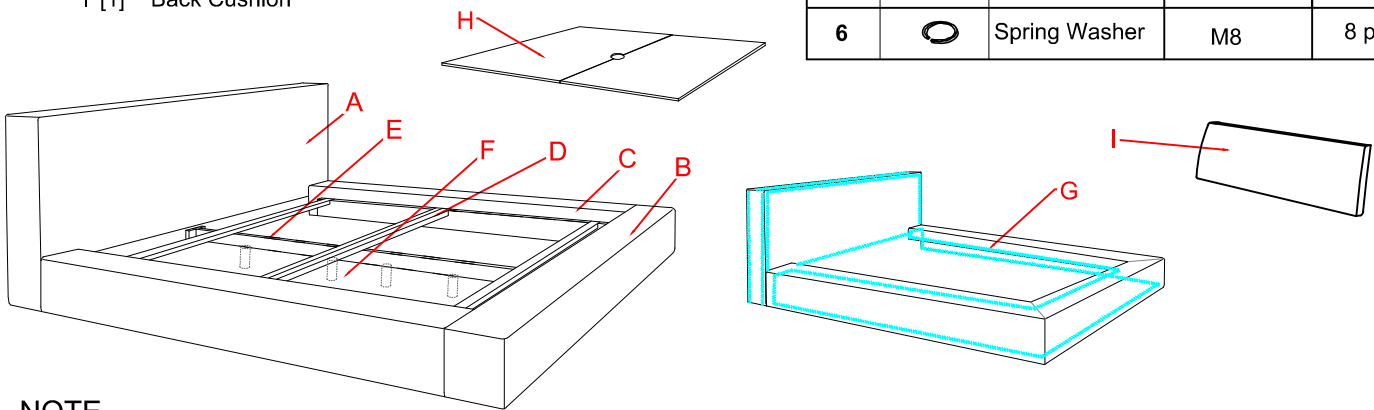
CLOUD BED-FABRIC-ASSEMBLY INSTRUCTIONS

PARTS INCLUDED

- A [1] Headboard
- B [1] Footboard
- C [2] Side Rails
- D [2] Cross Rails
- E [1] Center Support Bar
- F [4] Support Short Legs
- G [1] Slipcover
- H [2] Wood Panels
- I [1] Back Cushion

TOOLS NEEDED

NO.	Description	Size	QTY.
1	 Bolts	M8*100 mm	8 pcs
2	 Washer	M8	8 pcs
3	 Flat Washer	M8	8 pcs
4	 Nuts	M8	8 pcs
5	 Wrench	M8	1 pc
6	 Spring Washer	M8	8 pcs



NOTE

- Bed must be assembled by at least two people.
- Please read instructions carefully before assembling bed.
- Use the above parts and fittings list to identify each component.
- Keep all packing materials until assembly is completed to avoid loss of smaller parts.

ASSEMBLY INSTRUCTIONS

STEP 1:

1. Place the headboard (A) on a protective surface to prevent damage.
2. Insert the connecting bolts (1) into the threaded holes of the headboard (A), making sure these extend out of the headboard by 2 inches.
3. Align the holes on the end of the side rails (C) with the headboard connection bolts (1) and attach side rails (C) to headboard (A).
4. Affix the washer (2), flat washer (3), spring washer (6) and nuts (4) onto the connection bolt and tighten nut with the wrench (5) as seen in the diagram.
5. Repeat this step to attach the other side rail (C) to headboard (A).
6. To attach the footboard (B), please repeat the above assembly procedure.

STEP 2:

1. Locate support short legs (F) along center support bar (E).
2. Turn the thread rod on top of support short legs (F) into the thread holes to align front center support bar (E).

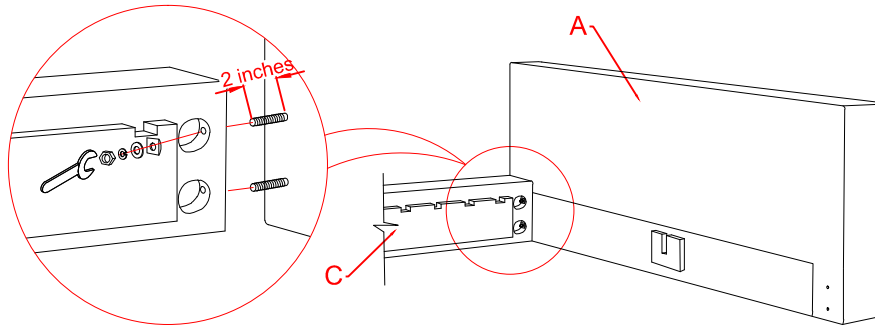
STEP 3:

1. Insert the center support bar (E) into the U-Shaped wooden blocks of the headboard (A) and footboard (B).
2. Insert the cross rails (D) into the notched grooves along the inside of the side rails (C).

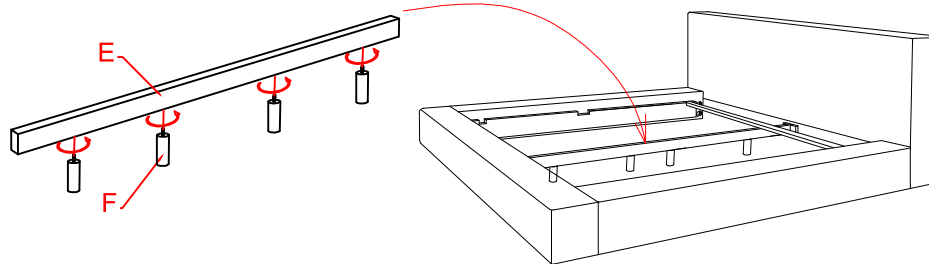
STEP 4:

1. Wrap up the headboard, footboard and side rails with the slipcover (G). Make the surface smooth and attach the Velcro. (Make sure the Velcro on the slipcover sticks to both the bottom and the inside Velcro on the bed as seen in diagram).
2. Place the wood panels (H) and back cushion (I) onto slats.
3. Assembly is complete.

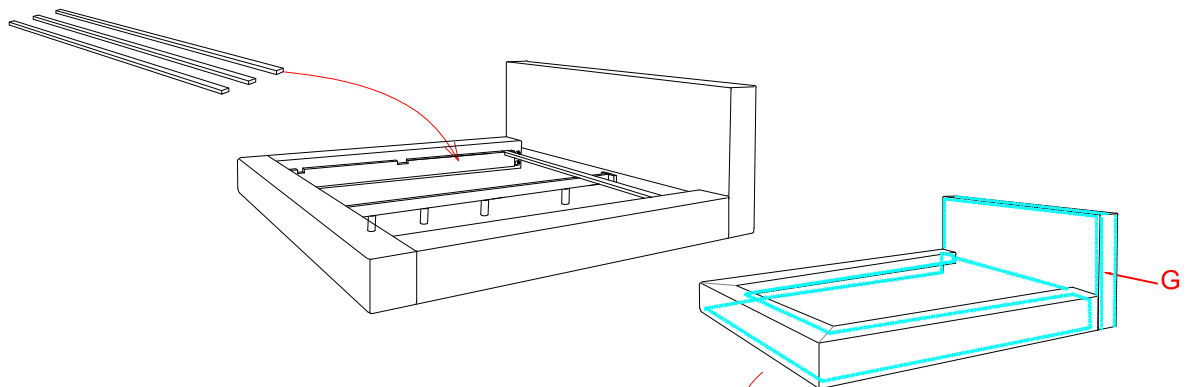
STEP 1



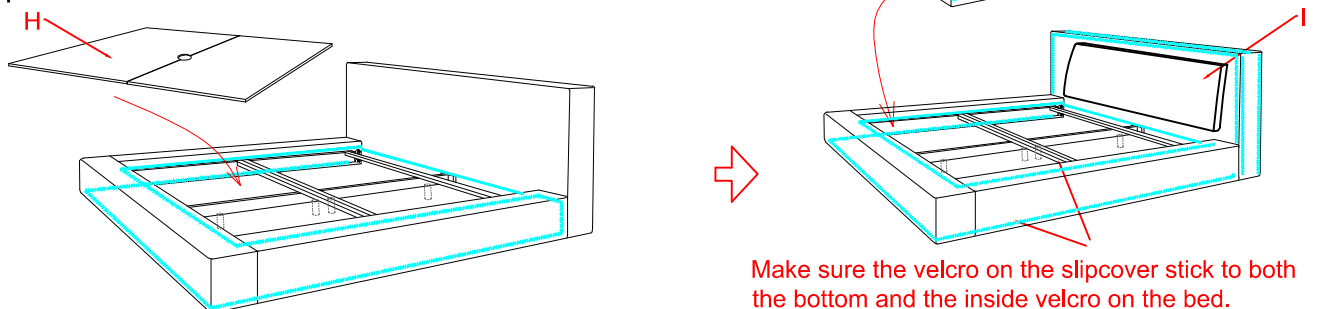
STEP 2



STEP 3



STEP 4



Make sure the velcro on the slipcover stick to both the bottom and the inside velcro on the bed.

CARE INSTRUCTIONS

Dust or vacuum regularly to help keep fabric looking new. Dab spills immediately with a soft, white cloth dampened with distilled water. Do not use tap water or detergents to clean. Professional, in-home upholstery cleaning is recommended. Avoid direct sunlight and heat to protect fabric.

IMPORTANT SAFETY INSTRUCTIONS

1. Exercise care and precaution when moving furniture as careless handling may cause injury and damage.
2. Never drag furniture. Always lift it.
3. Periodically check all fixtures to ensure none have come loose.
4. Re-tighten as and when necessary. Incorrect assembly of furniture can be dangerous.
5. Assembly should be carried out by competent personnel.
6. No liability will be accepted for damage or injury caused by incorrectly assembled furniture.
7. Take care and seek assistance when lifting heavy furniture to avoid personal injury and or damage to product.