

RH TEEN

CLASSIC MODULAR CLOSET SYSTEM CORNER SHELVING

FURNITURE TIP RESTRAINT INSTRUCTIONS

PARTS INCLUDED

A [1] Storage

ASSEMBLY INSTRUCTION





1. Carefully fix the anti-tip kit on wall behind the unit.
2" below the bracket mounted to the back of unit.
2. Place the unit near the wall.
3. Lace the anti-tip strap through the wall as well through the clips on the unit.
4. Tighten the Anti-tip straps

TOOLS NEEDED

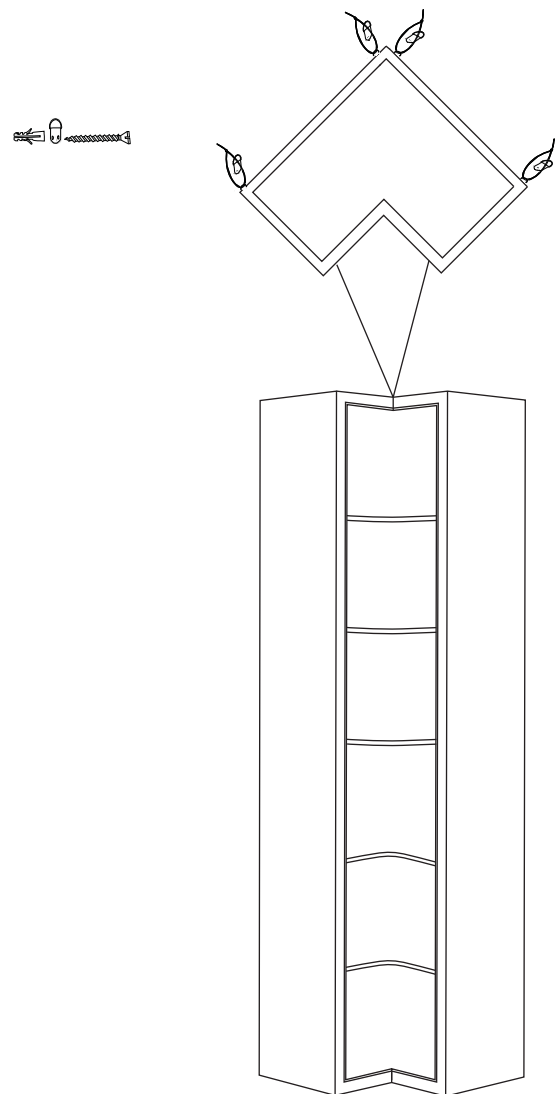
1. Philips Head Screwdriver (Not Included)

IMPORTANT SAFETY INSTRUCTION

1. Do not allow children to climb on unit.

NO.	ITEMS	DESCRIPTIONS	QTY.
1.		D-CLIP	2
2.		SCREW ANCHORS	4
3.		SCREW	4
4.		ANTI TIP STRAP	2

OVERHEAD VIEW



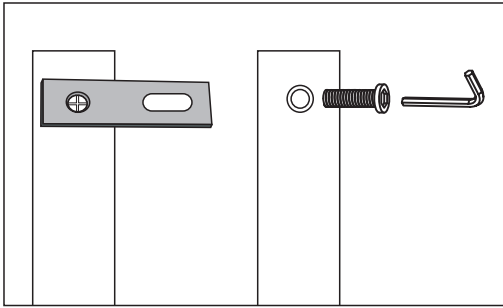
RH TEEN




CLASSIC MODULAR CLOSET SYSTEM CORNER SHELVING

MENDING PLATES ASSEMBLY

(to attach multiple vertical units)

How to Assembly Mending Plates



NO	ITEMS	DESCRIPTIONS	QTY.
1.		Mending Plates	2
2.		Mx20mm Short Bolt	4
3.		4mm 'L' Allen Key	1

