

RH TEEN

CECILY QUEEN CANOPY BED

PARTS INCLUDED







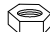

- A [1] HEADBOARD
- B [1] FOOTBOARD
- C [2] SIDE RAIL
- D [1] TOP FRAME
- E [3] SUPPORT BEAM

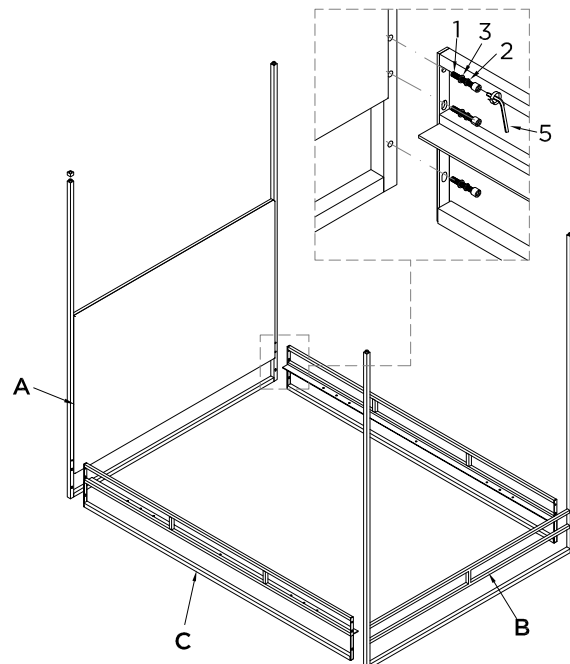
TOOLS NEEDED

Phillips Head Screwdriver (not included)

ASSEMBLY INSTRUCTIONS

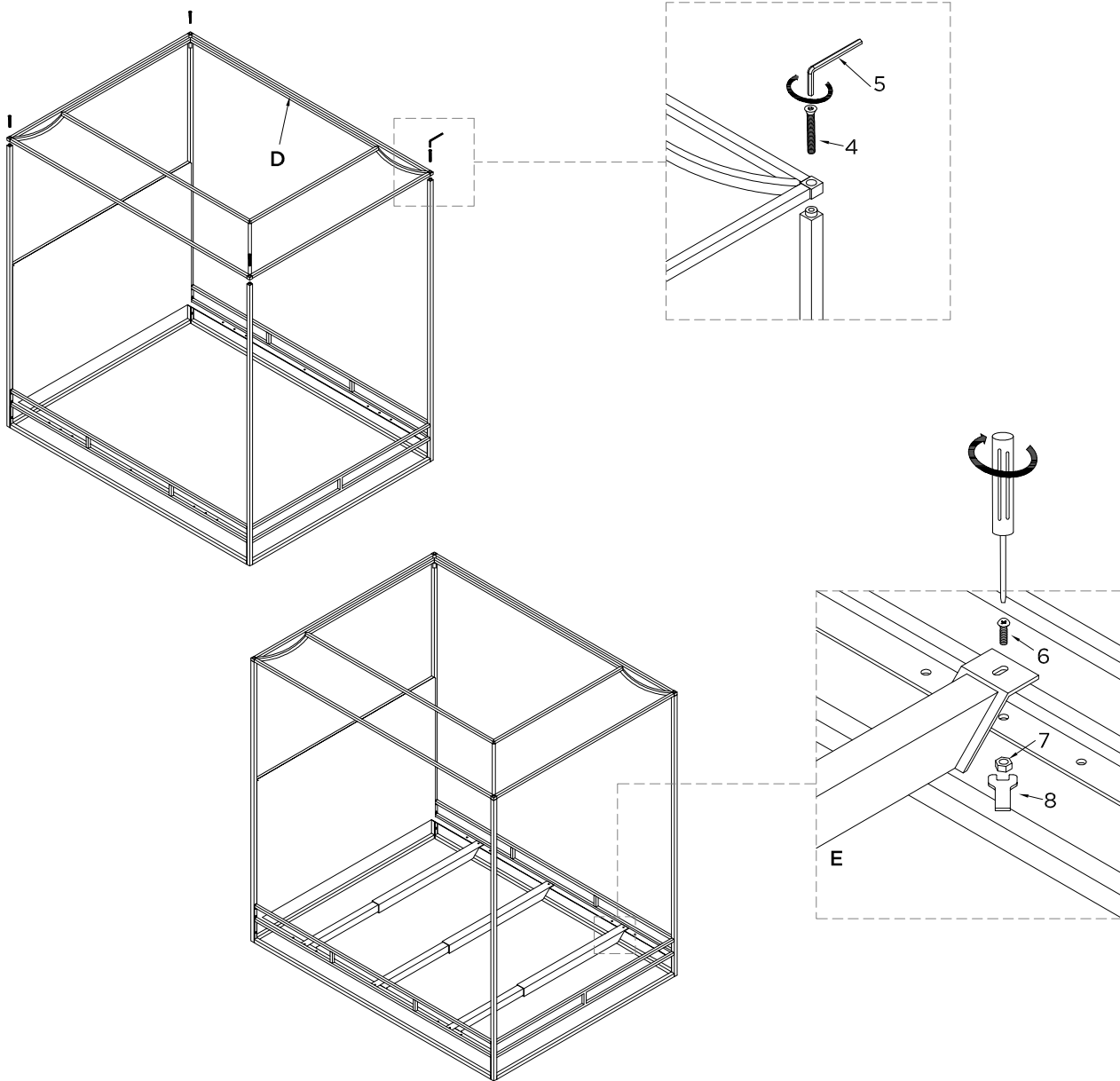
1. Carefully unpack the parts from the carton.
2. Position the Side Rail (C) beside the Headboard (A) and align the holes at the top onto given holes on the Headboard as shown in the sketch.
3. Insert the Flat Washer (3), Lock Washer (2) onto the Allen Bolt (1), and tighten using the Allen Key (5) as shown in the sketch.
4. Repeat the steps with the other Side Rail (C) and with the Footboard (B).
5. Position the Top Frame (D) on top of the posts and align the holes at the top onto given holes on the posts, insert the Allen Bolts (4), and tighten using the Allen Key (5) as shown in the sketch.
6. Position the Support Beam (E) on top of the Side Rail (C) and align the holes onto given holes as shown in the sketch.
7. Insert the Bolts (6) and Nuts (7), and tighten using the Wrench (8).
8. Repeat the steps with the other Support Beams (E).

NO.	ITEM	DESCRIPTION	QTY.
1		Allen Bolt	12 pcs.
2		Lock Washer	12 pcs.
3		Flat Washer	12 pcs.
4		Allen Bolt	4 pcs.
5		Allen Key	1 pc.
6		Bolt	6 pcs.
7		Flat Washer	6 pcs.
8		Wrench	1 pc.



RH TEEN

CECILY QUEEN CANOPY BED



CARE INSTRUCTIONS

1. Clean periodically by wiping the furniture lightly with a soft, clean cloth.
2. We don't recommend using abrasive or chemical cleaners as they may damage the finish.

IMPORTANT SAFETY INSTRUCTIONS

1. This furniture must be assembled by at least two people. These instructions are written assuming two people are assembling it.