

RHBABY&CHILD


CALLUM STORAGE BUNK BED - FULL-OVER-FULL

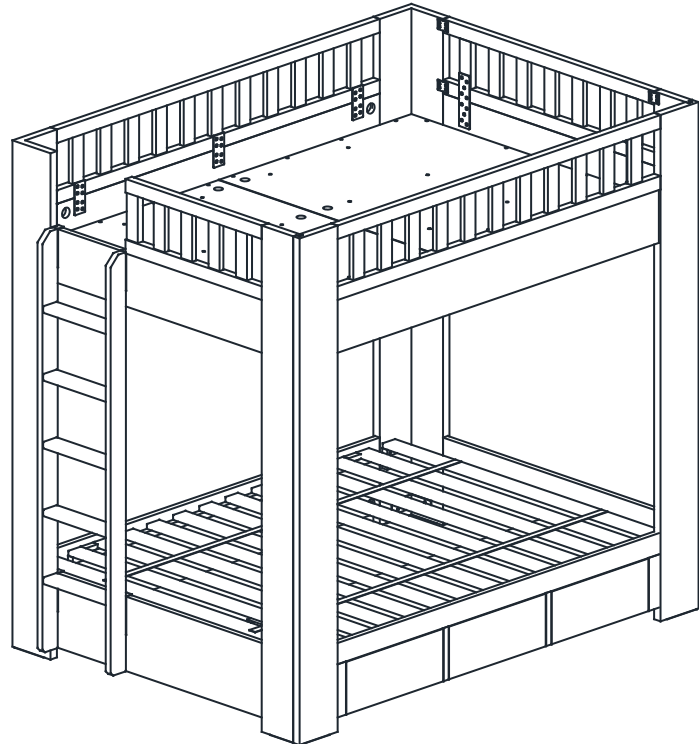
Made in Vietnam

Model No: 0821 - 79

Distributed in the U.S.A by:
RH Baby&Child
2900 N MACARTHUR DRIVE
TRACY, CA 95376
www.rhbabyandchild.com

Distributed in Canada by:
RH Canada, Inc.
1500-1055 West Georgia Street
Vancouver, British Columbia
V6E4N7

 **WARNING:** Read all
Instructions before assembling
this product.
KEEP INSTRUCTIONS FOR
FUTURE USE.



CUSTOMER SERVICE

If you are missing parts or have any questions about this product, contact us first. You can also order parts by writing to the address above. Include the product model number, color, and a brief description of the part. Or call 1-800-762-1751.

CARE AND CLEANING

DO NOT scratch or chip the finish. DO NOT use abrasive chemicals for cleaning. If the crib is to be stored, store in a cool, dry place and carefully package all original hardware to protect from loss.

TOOLS AND INSTALLATION

Tools needed: Key Wrench (included).

Two people are recommended for assembly.

When inserting bolts, turn clockwise until tight. Then loosen 1/2-3/4 of a turn. After bed is completely assembled, return to each bolt and tighten.

RH BABY & CHILD

CALLUM STORAGE BUNK BED - FULL-OVER-FULL

IMPORTANT SAFETY INFORMATION FOR BUNK BED

1. Follow the information on the WARNINGS label appearing on the upper bunk end structure and on the box. **DO NOT REMOVE WARNING LABEL FROM BED.**
2. Always use the specified mattress size, or mattress support, or both to help prevent the likelihood of entrapment or falls.
3. Surface of mattress must be at least 5 inches below the upper edge of guardrails on top bunk.
4. Do not allow children under 6 years of age to use the upper bunk.
5. Prohibit more than one person on upper bunk.
6. Periodically check and ensure that the guardrails, ladder, and other components are in their proper position, free from damage, and that all connectors are tight.
7. Do not allow horseplay on or under the bed and prohibit jumping on the bed.
8. Always use the ladder for entering and leaving the upper bunk.
9. Do not use substitute parts. Contact Restoration Hardware for replacement parts.
10. Use of a nightlight may provide added safety precaution for a child using the upper bunk.
11. Use guardrails on both sides of the upper bunk.
12. If the bunk bed will be placed next to a wall, the guardrail that runs the full length of the bed should be placed against the wall to prevent entrapment between the bed and the wall.
13. The use of water flotation mattresses is prohibited.
14. **STRANGULATION HAZARD** - Never attach or hang items to any part of the bunk bed that are not designed for use with the bed, such as hooks, belts, and jump ropes.
15. Keep these instructions for future reference.



WARNING

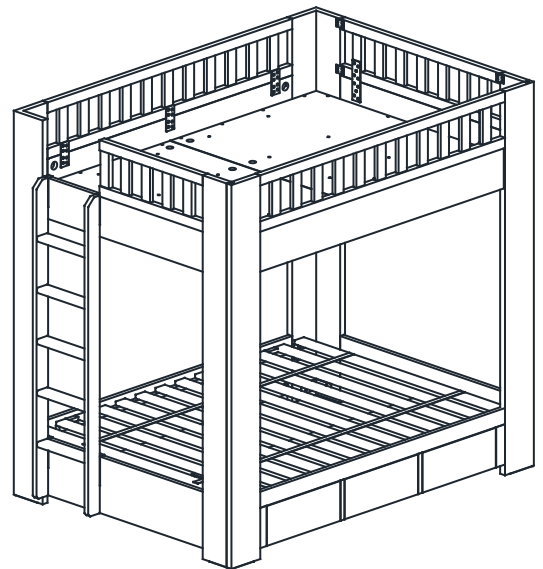
TO HELP PREVENT SERIOUS OR FATAL INJURIES FROM ENTRAPMENT OR FALLS

1. Never allow a child under 6 years of age on upper bunk.
2. - If bunk is Twin/Twin:
Only use a mattress that is 75" long, 38" wide and 7" high on upper bunk, and a mattress that is 75" long, 38" wide and 10" high on lower bunk.
- If bunk is Full/Full:
Only use a mattress that is 75" long, 53" wide and 7" high on upper bunk, and a mattress that is 75" long, 53" wide and 10" high on lower bunk.
3. Ensure thickness of mattress does not exceed 7" and mattress surface is at least 5" below upper edge of guardrails. Thickness for lower bunk is 10" high.
4. Use guardrails on both sides of upper bunk.
5. Prohibit horseplay on or under bed(s).
6. Prohibit more than one person on upper bunk.
7. Use ladder for entering and leaving upper bunk.
8. If the bunk bed will be placed next to a wall, the guardrails that run the full length of the bed should be placed against the wall to prevent entrapment between the bed and the wall.

STRANGULATION HAZARD

9. Never attach or hang items to any part of the bunk bed that are not designed for use with the bed, such as hooks, belts, and jump ropes.

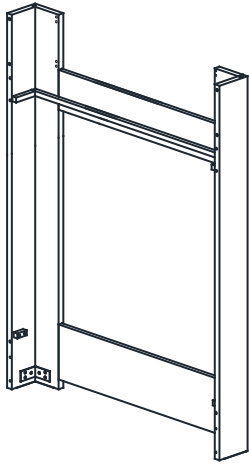
DO NOT REMOVE THIS LABEL



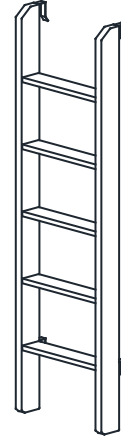
RHBABY&CHILD

CALLUM STORAGE BUNK BED - FULL-OVER-FULL

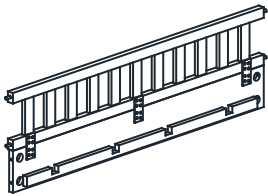
PARTS IDENTIFICATION



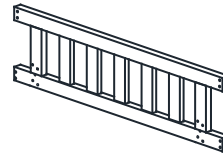
(A) Headboard/Footboard (x2 pieces)



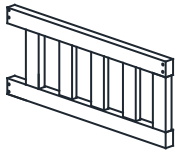
(B) Ladder (x1 piece)



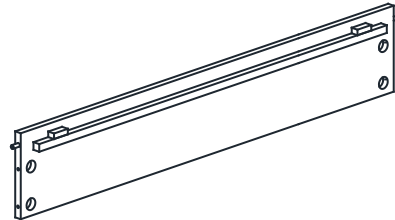
(C) Front/Back Guard Rails (x2 pieces)



(D) Long Side Guard Rail (x1 piece)



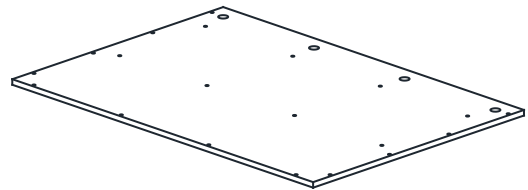
(E) Short Side Guard Rail (x1 piece)



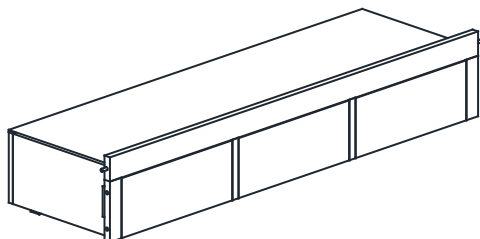
(F) Bottom Side Rail (x1 piece)



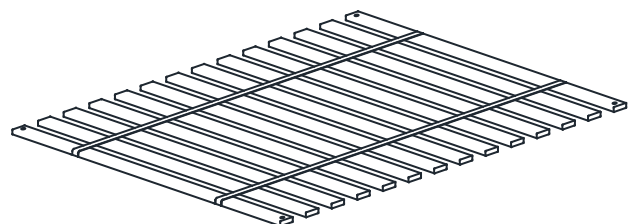
(G) Stretcher Bars (x4 pieces)



(H) Top Platform Panels (x2 pieces)



(I) Storage Box (x1 set)





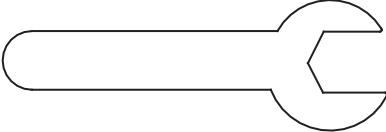

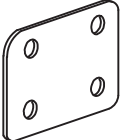
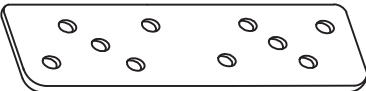


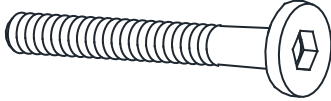



(J) Slat Roll (x1 set)

RH BABY & CHILD

CALLUM STORAGE BUNK BED - FULL-OVER-FULL

HARDWARE INCLUDED

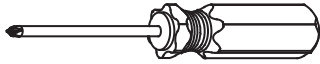
| NO. | ITEM | DESCRIPTION | QTY. |
|-----|---|-------------------------------------|-----------|
| 1 |  | Threaded Rod 5/16" x 2-1/2" | 12 pieces |
| 2 |  | Curved Slotted Washer 5/16" | 12 pieces |
| 3 |  | Hex Nut 5/16" x 12mm | 12 pieces |
| 4 |  | Medium Screw 8 x 30mm | 56 pieces |
| 5 |  | Hex Wrench 12mm | 1 piece |
| 6 |  | Short Screw 8 x 19mm | 68 pieces |
| 7 |  | Small Metal Bracket 51 x 38 x 1.5mm | 6 pieces |
| 8 |  | Long Metal Bracket 200 x 52 x 4mm | 4 pieces |
| 9 |  | Flat Washer 5/16" x 19mm | 4 pieces |
| 10 |  | Spring Washer 5/16" x 13mm | 4 pieces |
| 11 |  | Bolt 5/16" x 2-1/2" | 4 pieces |
| 12 |  | Allen Key 4mm | 1 piece |

RH BABY & CHILD

CALLUM STORAGE BUNK BED - FULL-OVER-FULL

TOOLS NEEDED

Phillips-head screwdriver (not included)

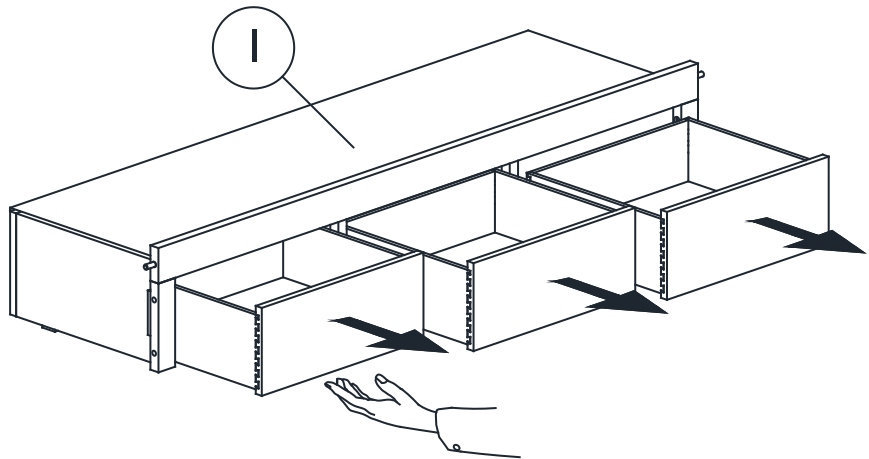


ASSEMBLY INSTRUCTIONS

- Note:**
- Bed must be assembled by at least two people.
 - Please read instructions carefully before assembling bed.
 - Use the parts and fittings list to identify each component.
 - Keep all packing materials until assembly is complete to avoid loss of smaller parts.
 - Do not completely tighten all bolts until all steps are finished.

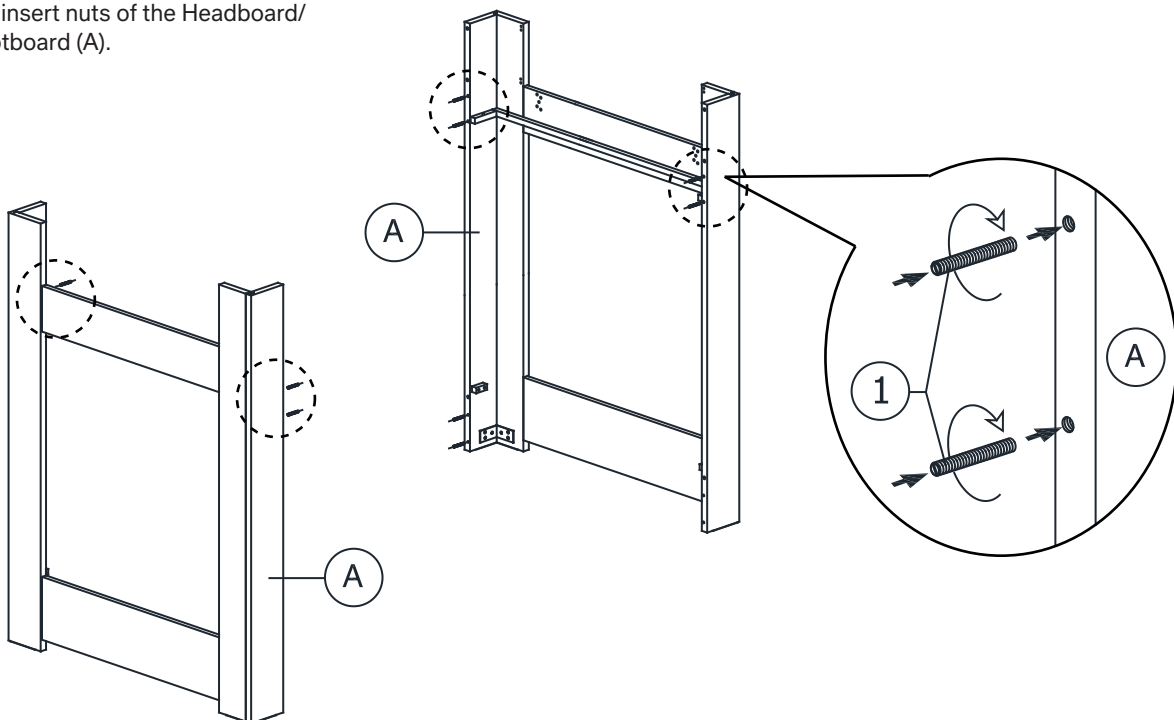
STEP 1:

Remove [3] drawers by pulling them out of the Storage Box (I).



STEP 2:

Thread the Threaded Rod (1) into the insert nuts of the Headboard/Footboard (A).



RH BABY & CHILD

CALLUM STORAGE BUNK BED - FULL-OVER-FULL

NOTE: Bunk must be assembled by at least 2 people. Set all parts in final position for assembly, in a straight line.

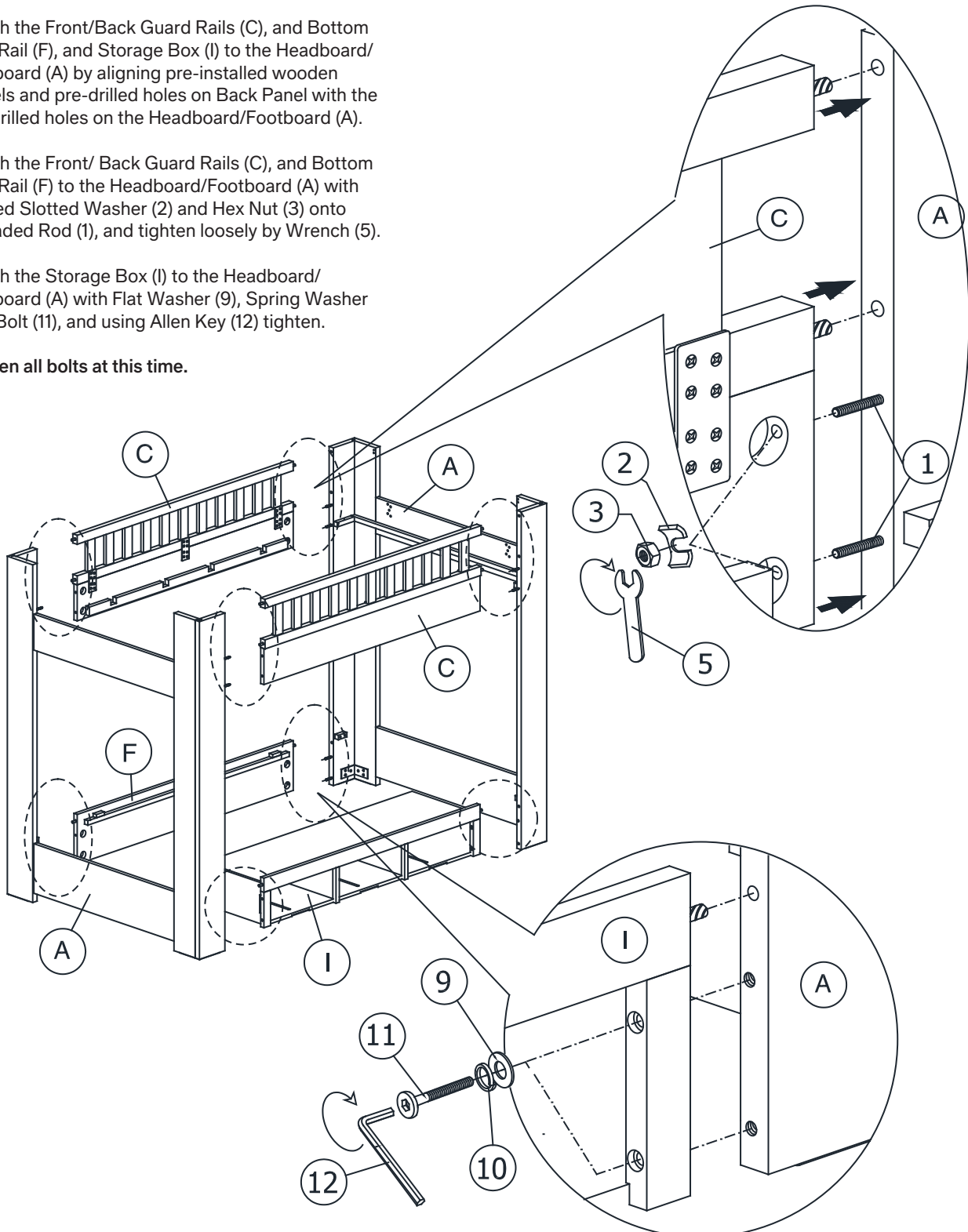
STEP 3:

Attach the Front/Back Guard Rails (C), and Bottom Side Rail (F), and Storage Box (I) to the Headboard/ Footboard (A) by aligning pre-installed wooden dowels and pre-drilled holes on Back Panel with the pre-drilled holes on the Headboard/Footboard (A).

Attach the Front/ Back Guard Rails (C), and Bottom Side Rail (F) to the Headboard/Footboard (A) with Curved Slotted Washer (2) and Hex Nut (3) onto Threaded Rod (1), and tighten loosely by Wrench (5).

Attach the Storage Box (I) to the Headboard/ Footboard (A) with Flat Washer (9), Spring Washer (10), Bolt (11), and using Allen Key (12) tighten.

Tighten all bolts at this time.

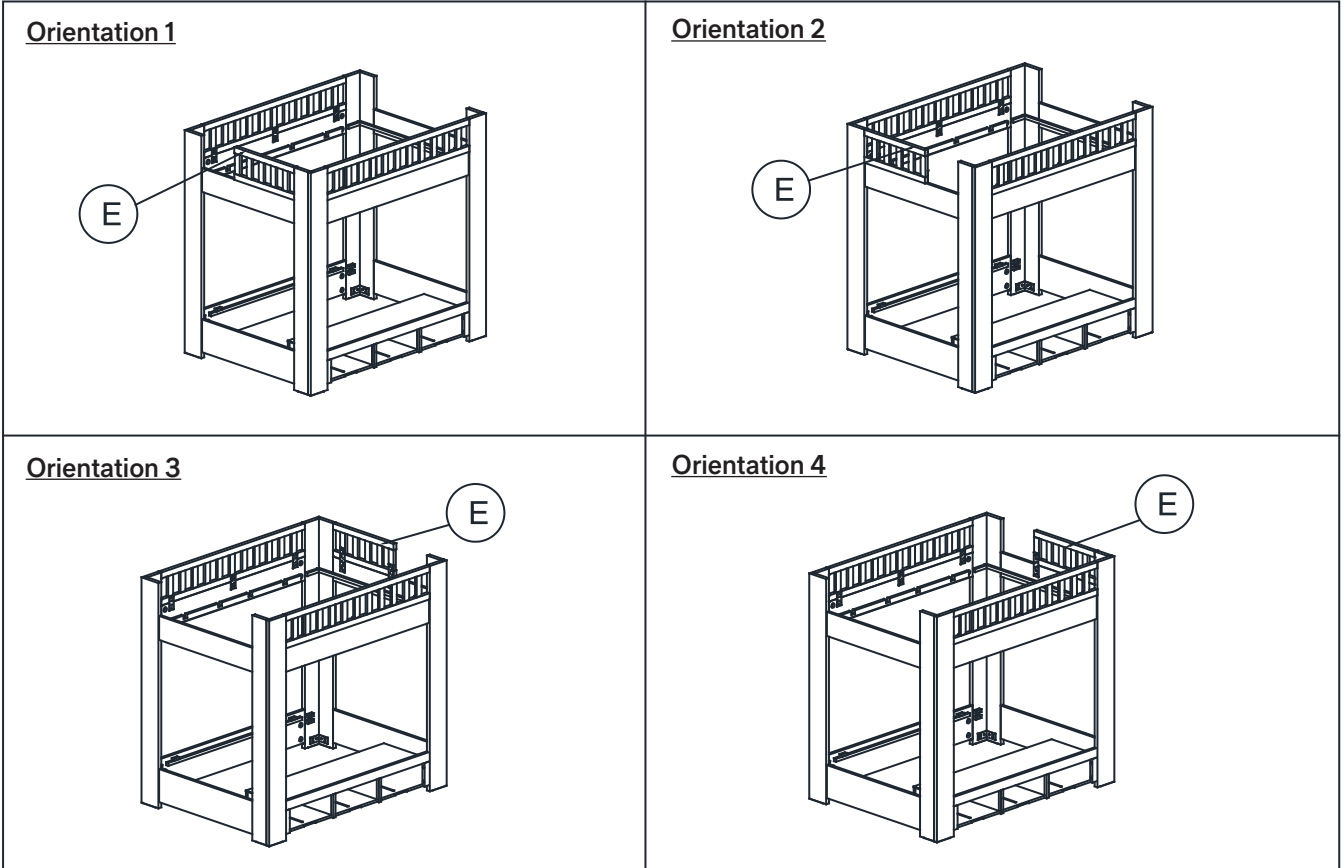


RH BABY & CHILD

CALLUM STORAGE BUNK BED - FULL-OVER-FULL

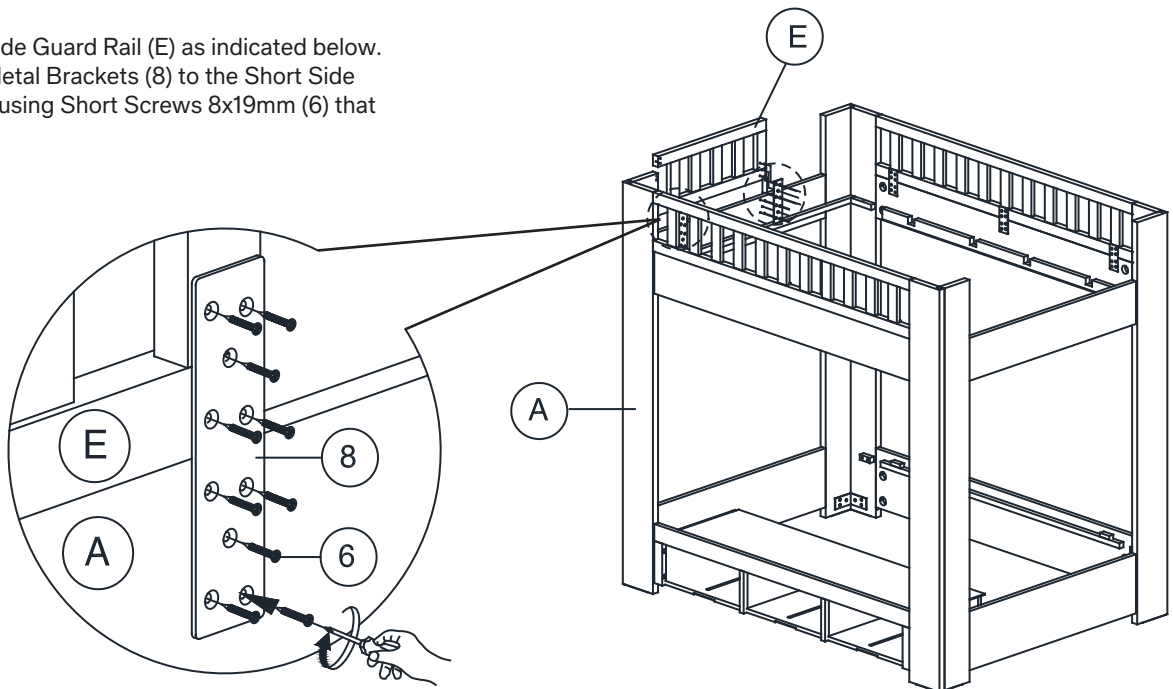
NOTE:

The bunk has total of 4 orientations. Short Side Guard Rail (E) can be attached to headboard or footboard, depending on where you would like the Ladder (B) to be positioned. Open end of Short Side Guard Rail (E) must be positioned against Bunk Bed End (A), and closed end of Short Side Guard Rail (E) must be positioned against Ladder (B).



STEP 4:

Install Short Side Guard Rail (E) as indicated below. Attach Long Metal Brackets (8) to the Short Side Guard Rail (E) using Short Screws 8x19mm (6) that are provided.

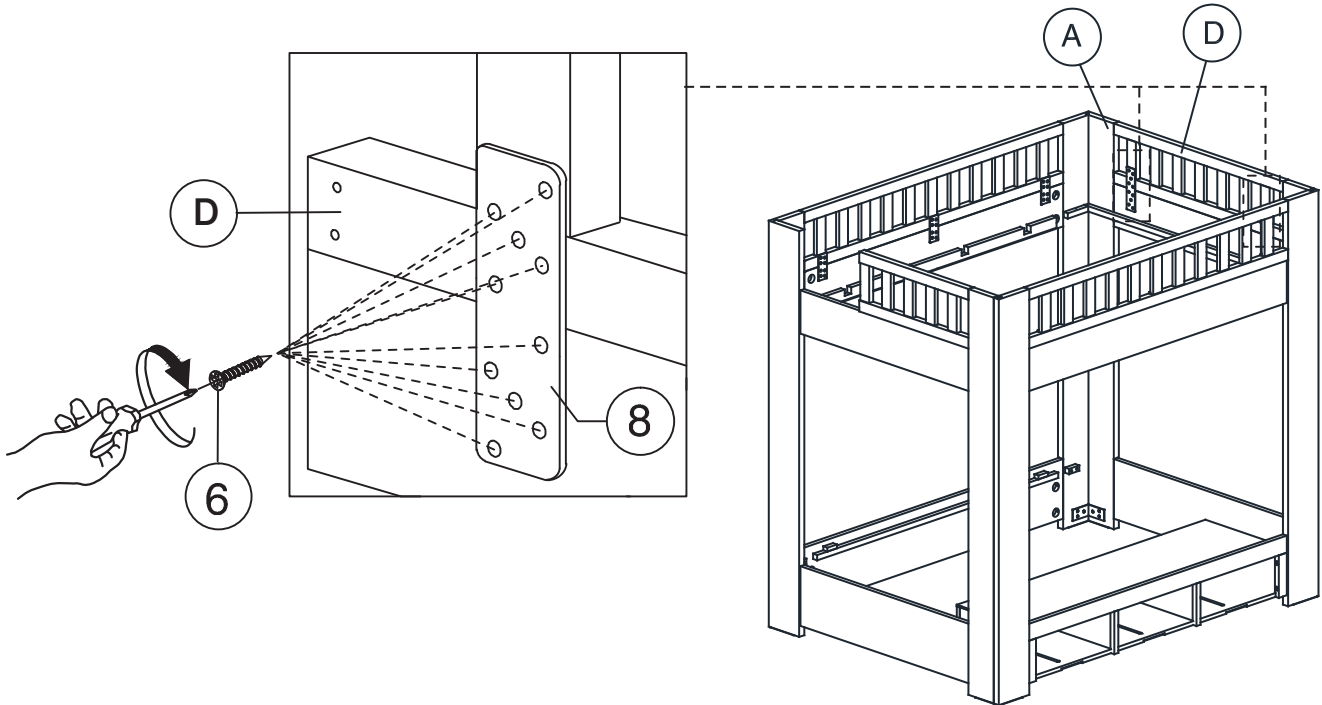


RHBABY&CHILD

CALLUM STORAGE BUNK BED - FULL-OVER-FULL

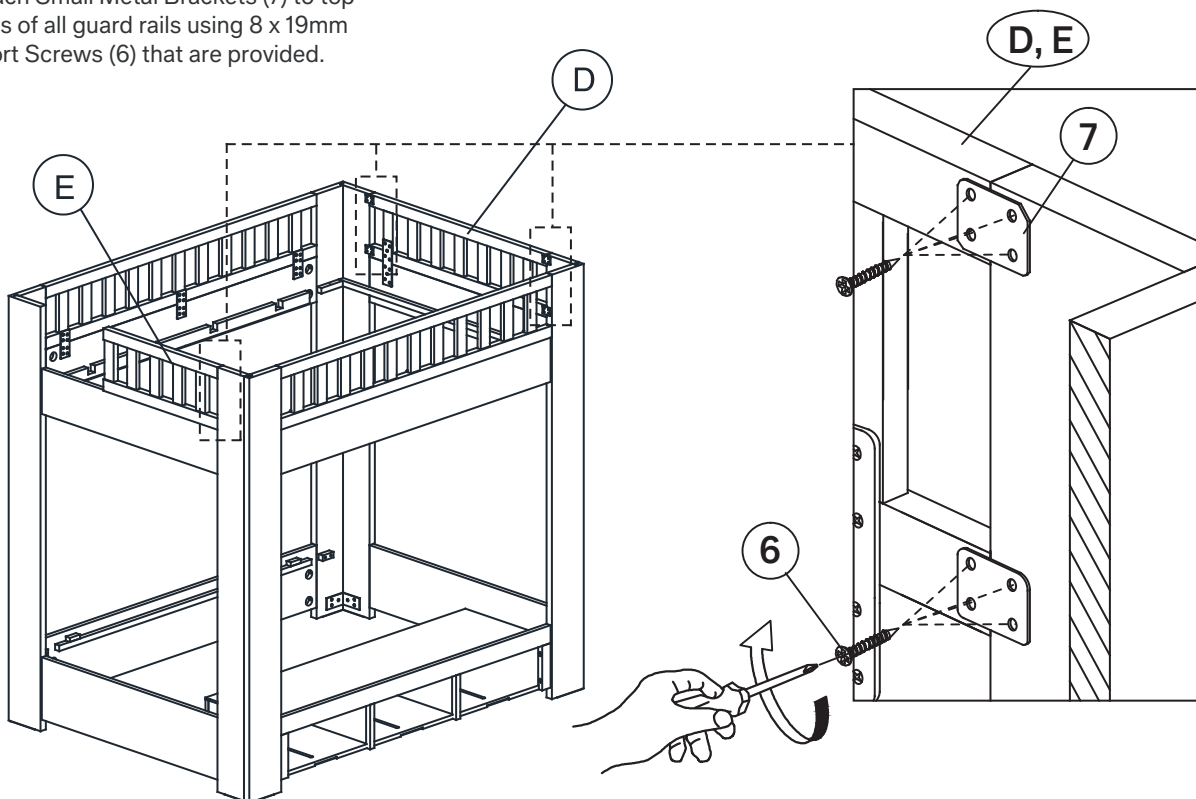
STEP 5:

Attach the Long Side Guard Rail (D) to the Headboard/Footboard (A) by using Long Metal Brackets (8) and Short Screws (6) that are provided.



STEP 6:

Attach Small Metal Brackets (7) to top ends of all guard rails using 8 x 19mm Short Screws (6) that are provided.



RHBABY&CHILD

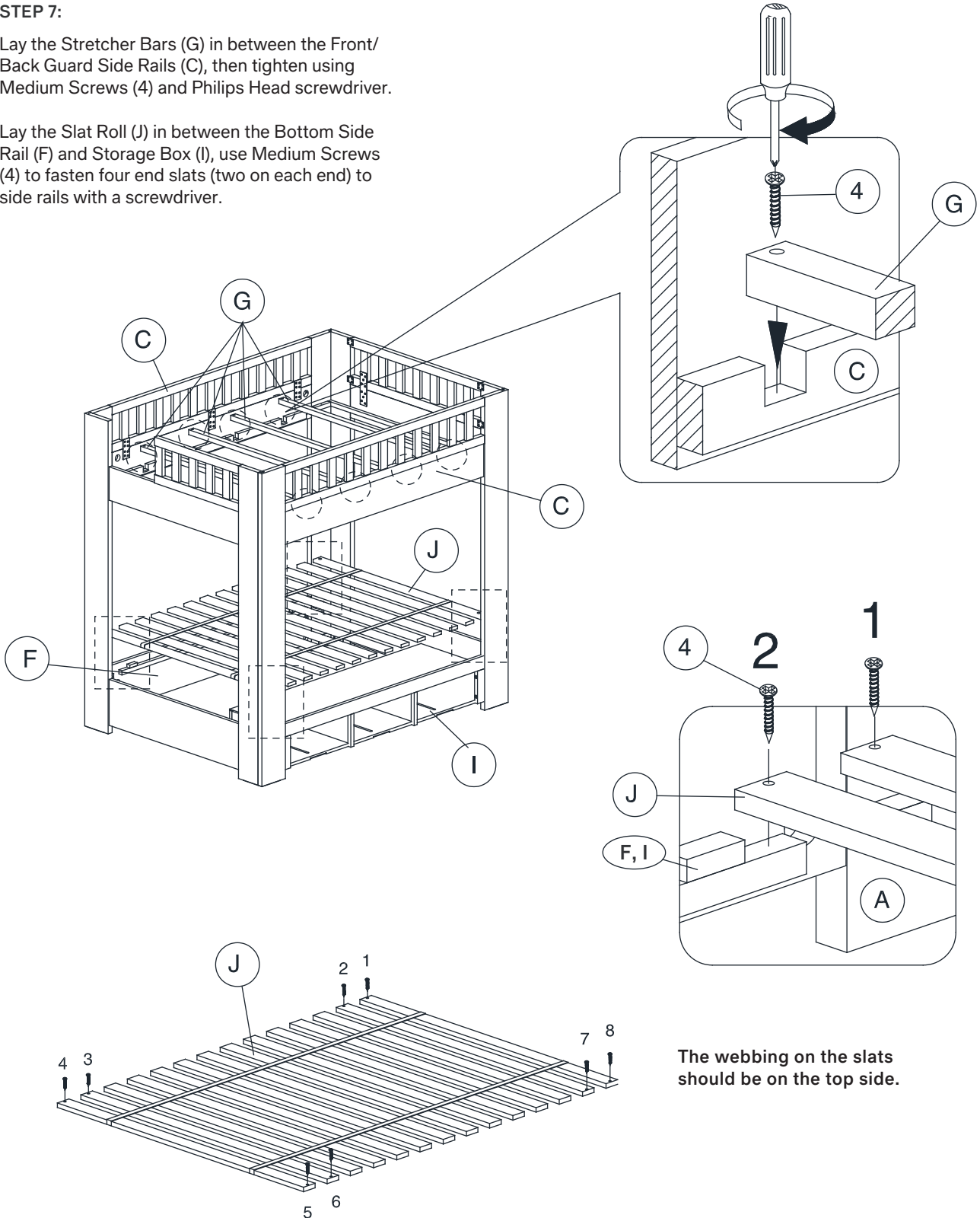
CALLUM STORAGE BUNK BED - FULL-OVER-FULL

NOTE: If you need to move the unit, do not drag it. 2 or more people are needed to safely move the unit.

STEP 7:

Lay the Stretcher Bars (G) in between the Front/ Back Guard Side Rails (C), then tighten using Medium Screws (4) and Philips Head screwdriver.

Lay the Slat Roll (J) in between the Bottom Side Rail (F) and Storage Box (I), use Medium Screws (4) to fasten four end slats (two on each end) to side rails with a screwdriver.

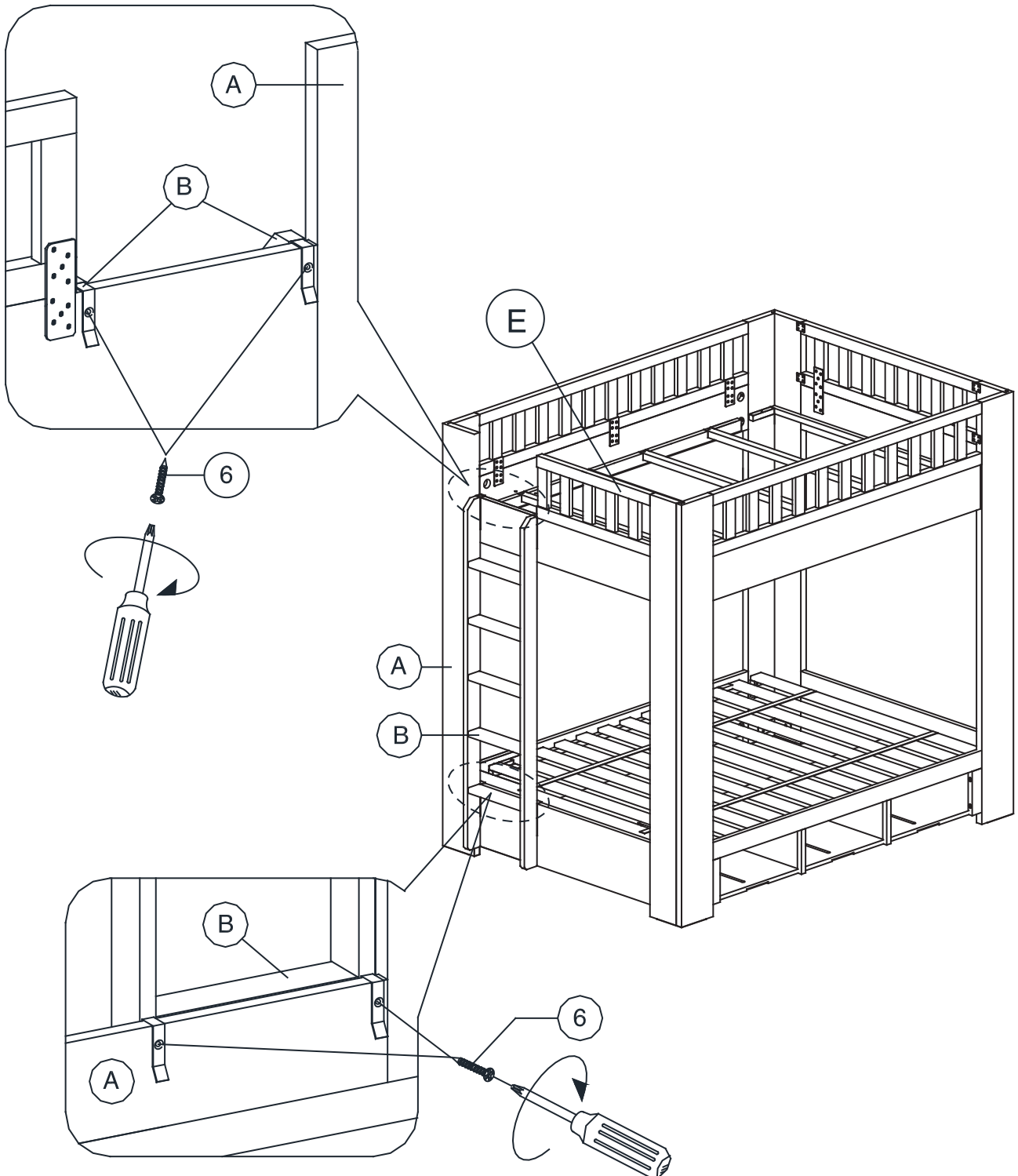


RH BABY & CHILD

CALLUM STORAGE BUNK BED - FULL-OVER-FULL

STEP 8:

Position the Ladder (B) in the opening between the Headboard/Footboard (A) and the Short Side Guard Rail (E). Hook the Ladder (B) over the top and bottom side rails and tighten with Short Screws (6) using Phillips-head screwdriver.

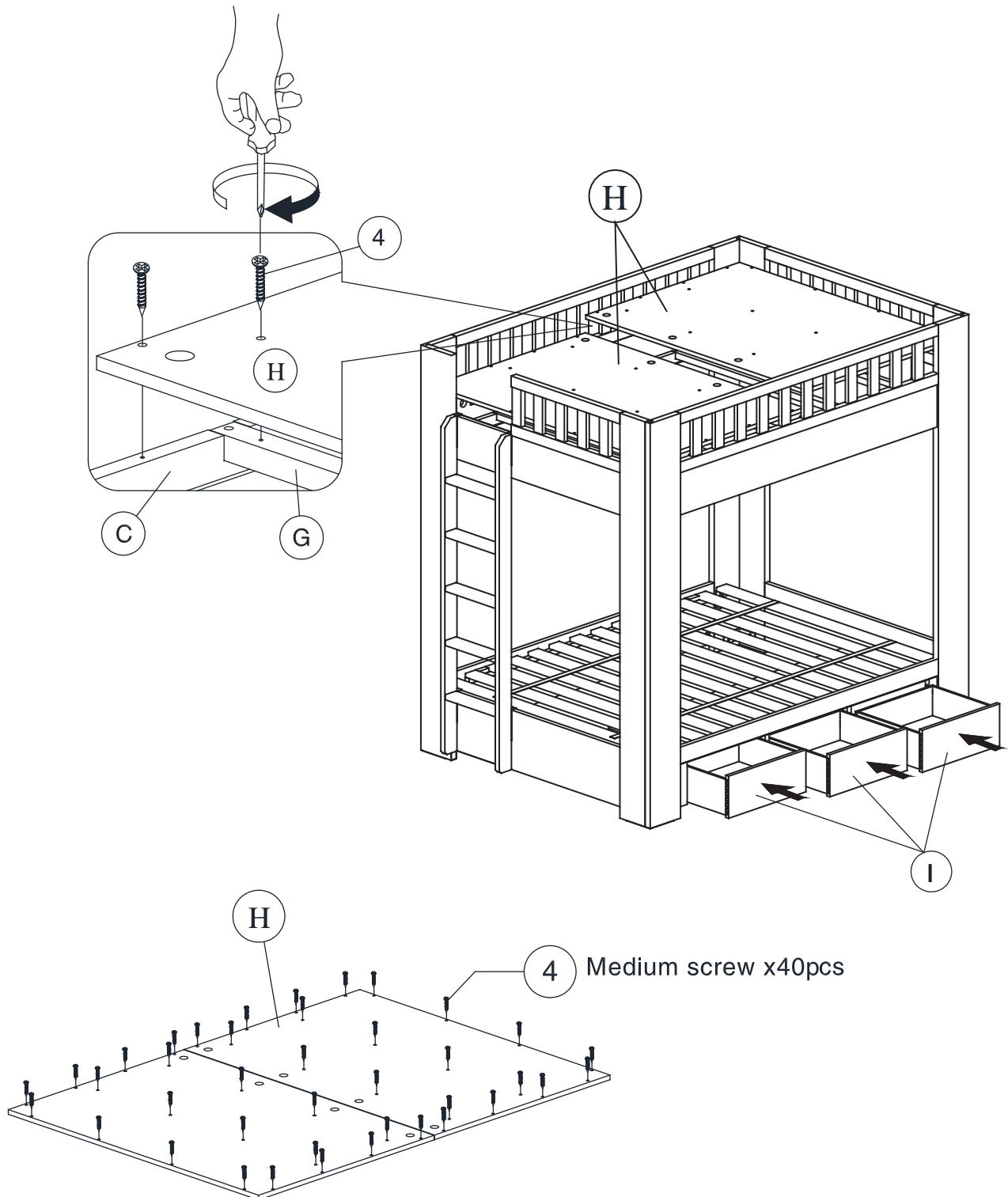


RHBABY&CHILD

CALLUM STORAGE BUNK BED - FULL-OVER-FULL

STEP 9:

Lay the Top Platform Panels (H) on top of the Stretcher Bars (G) and attach using Qty.40 Medium Screws (4) with Phillips-head screwdriver. Place the drawers back into the Storage Box (I).



RH BABY & CHILD

CALLUM STORAGE BUNK BED - FULL-OVER-FULL

INSTALL BEDDING

STEP 10:

MATTRESS SPECIFICATIONS FOR TOP BUNK:

The following size mattress and foundation are specified for use with this bunk bed:

MATTRESS DIMENSION SPECIFICATIONS FOR TOP BUNK

Twin-Over-Twin bunk: 75" long x 38" wide x 7" high

Full-Over-Full bunk: 75" long x 53" wide x 7" high

MATTRESS DIMENSION SPECIFICATIONS FOR LOWER BUNK

Twin-Over-Twin bunk: 75" long x 38" wide x 10" high

Full-Over-Full bunk: 75" long x 53" wide x 10" high

PLATFORM :

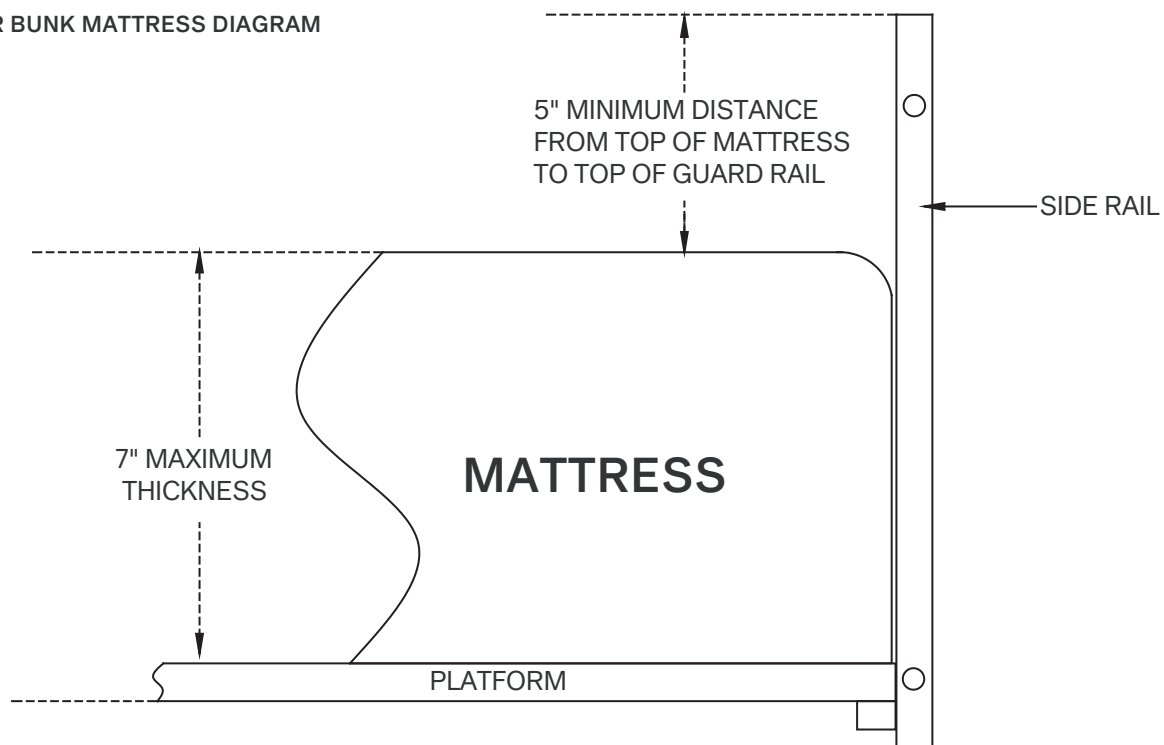
- Twin-Over-Twin bunk: Upper bed consists of 2 platform pieces 37 3/4" long x 38 3/4" wide x 3/4" high and bottom bed consists of 14 slats 38 3/4" long x 2 1/2" wide x 3/4" high.

- Full-Over-Full Bunk: Upper bed consists of 2 platform pieces 37 3/4" long x 53 7/8" wide x 3/4" high and bottom bed consists of 14 slats 53 7/8" long x 2 1/2" wide x 3/4" high.

****Note: MATTRESS THICKNESS MUST NOT EXCEED 7" HEIGHT FOR TOP BUNK.**

Be sure to adhere to these MATTRESS SPECIFICATIONS in order to avoid the possibility of falling or entrapment. THESE SPECIFICATIONS MUST BE STRICTLY ADHERED TO!

UPPER BUNK MATTRESS DIAGRAM



CARE INSTRUCTIONS

- Dust often using a clean, soft, dry, lint-free cloth.
- Blot spills immediately, and wipe with a clean, damp cloth.
- Do not use chemical cleansers, abrasives or furniture polish on the lacquered finish.