

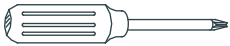
RHTEEN

CALLUM 6-DRAWER TWIN/FULL STORAGE CANOPY BED

PARTS INCLUDED:

- A [1] HEADBOARD PANEL
- B [2] HEADBOARD POSTS
- C [2] FOOTBOARD POSTS
- D [2] SIDE DRAWER FRAME
- E [2] SHORT SIDE RAILS
- F [2] STORAGE BASE
- G [1] SLAT ROLL
- H [8] SUPPORT LEGS
- I [2] LONG CANOPY RAILS
- J [2] SHORT CANOPY RAILS

TOOLS NEEDED:



Phillips-Head Screwdriver (not included)

ASSEMBLY INSTRUCTIONS:

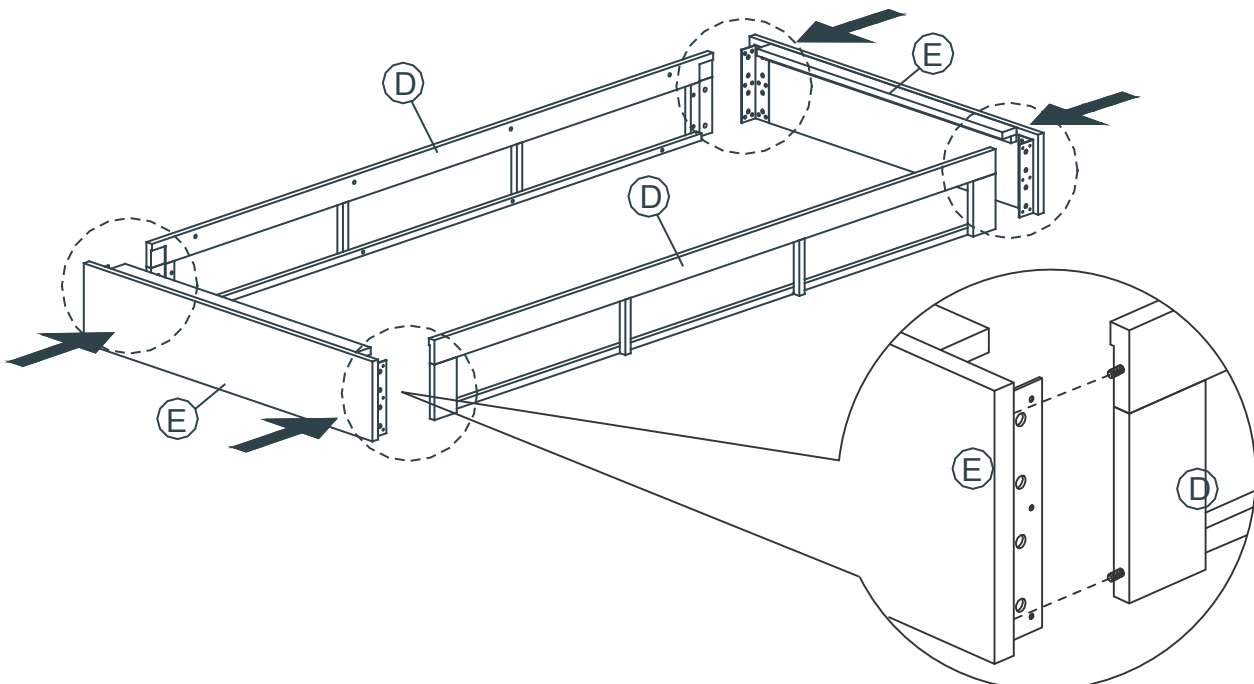
Note:

Two adults are recommended to assemble this bed.

STEP 1:

Attach the Side Drawer Frame (D) to the Short Side Rails (E).

NO.	ITEM	DESCRIPTION	QTY.
1		Long Bolt 5/16" x 2-1/4"	20 pcs.
2		Flat Washer 5/16"	20 pcs.
3		Spring Washer 5/16"	20 pcs.
4		Long Screw 8 x 30mm	4 pcs.
5		Short Screws 8 x 15mm	20 pcs.
6		Allen Key 4mm	1 pc.
7		Connecting Bolt 6mm	8 pcs.
8		Camlock Wheel 14mm	8 pcs.
9		Small Bolt 1/4" x 1-1/4"	8 pcs.
10		Flat Washer 1/4"	8 pcs.
11		Spring Washer 1/4"	8 pcs.
12		Connecting Bolt	4 pcs.
13		Assembling Insert	4 pcs.
14		Camlock Wheel	4 pcs.
15		Allen Key 5mm	1 pc.
16		Metal Bracket 65 x 65 x 2 mm	4 pcs.
17		Medium Screw 7 x 20mm	16 pcs.

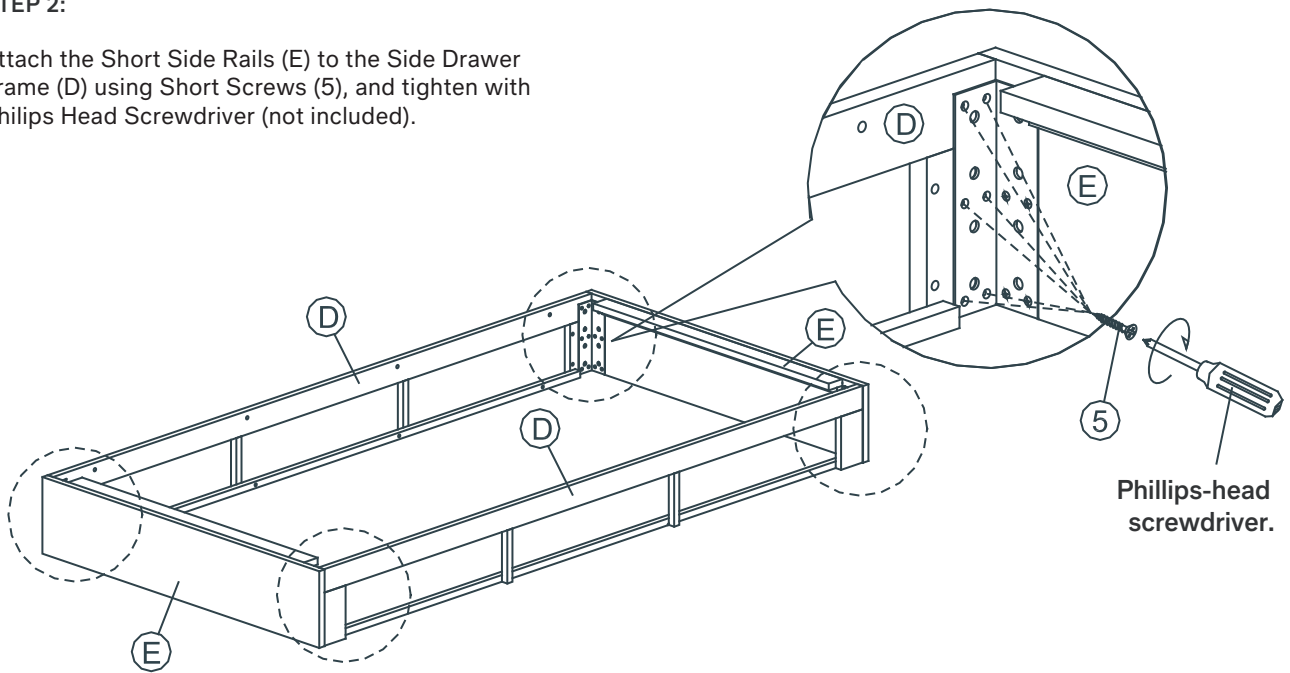


RHTEEN

CALLUM 6-DRAWER TWIN/FULL STORAGE CANOPY BED

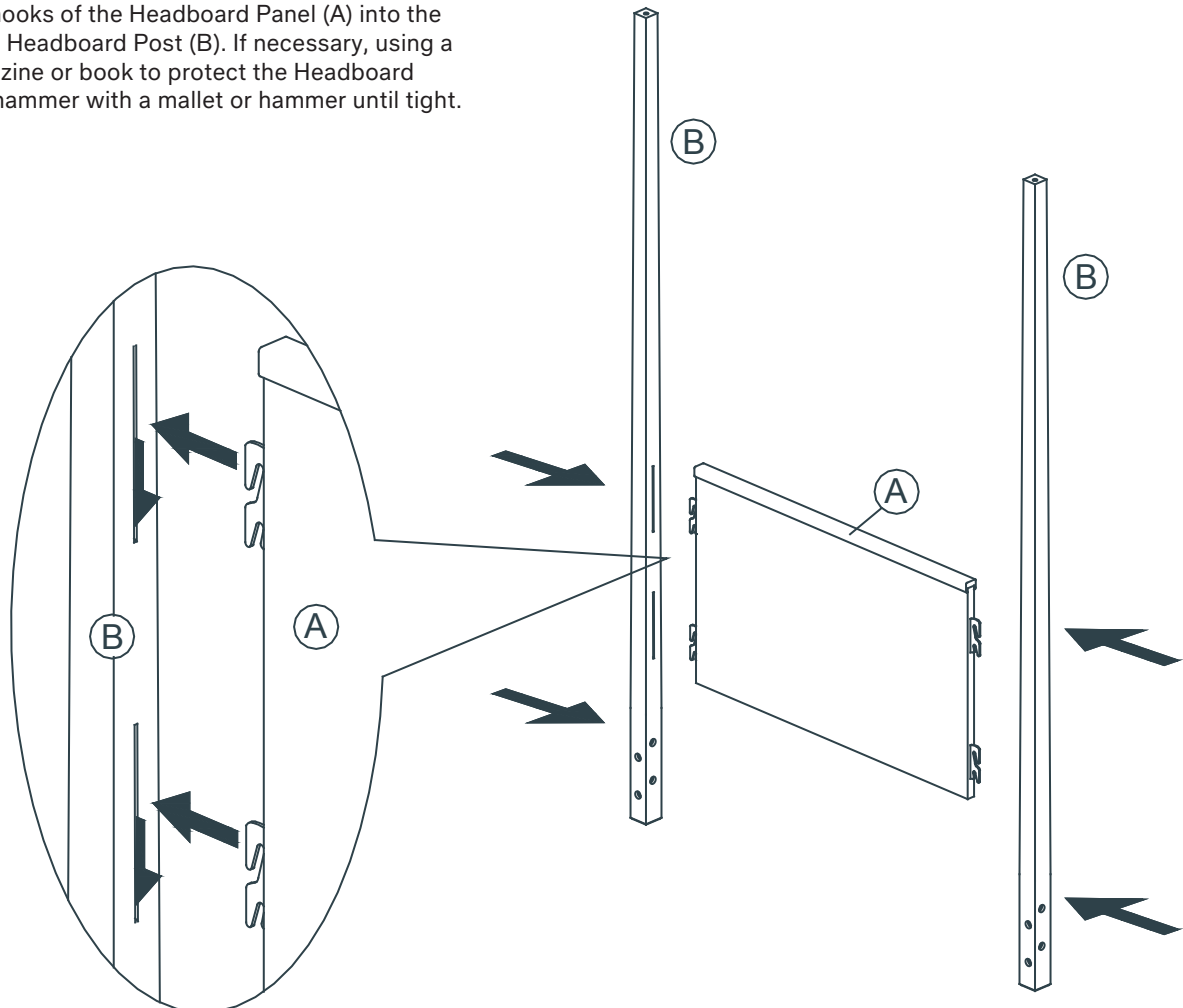
STEP 2:

Attach the Short Side Rails (E) to the Side Drawer Frame (D) using Short Screws (5), and tighten with Phillips Head Screwdriver (not included).



STEP 3:

Place the hooks of the Headboard Panel (A) into the slots in the Headboard Post (B). If necessary, using a thick magazine or book to protect the Headboard Panel (A), hammer with a mallet or hammer until tight.



RHTEEN

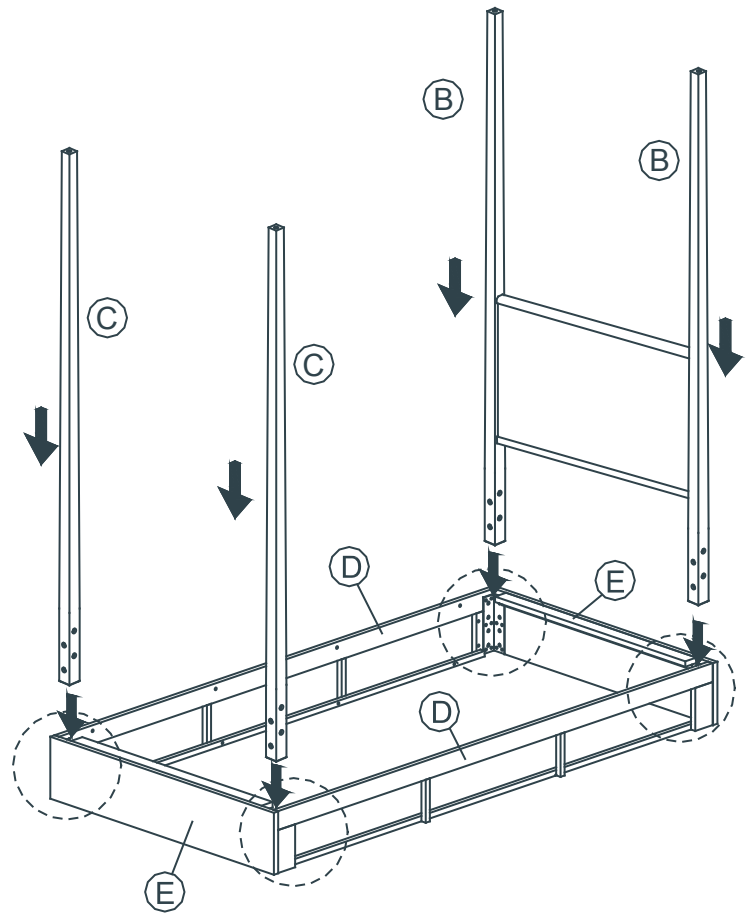
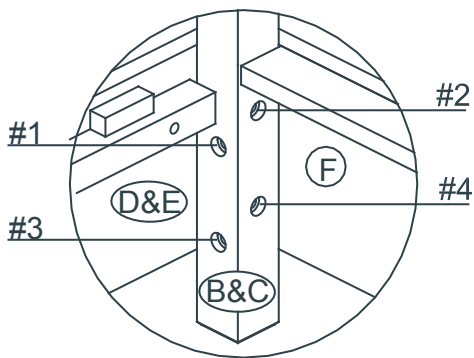
CALLUM 6-DRAWER TWIN/FULL STORAGE CANOPY BED

STEP 4:

Attach the Headboard Posts (B) and Footboard Posts (C) to the Bed Base.

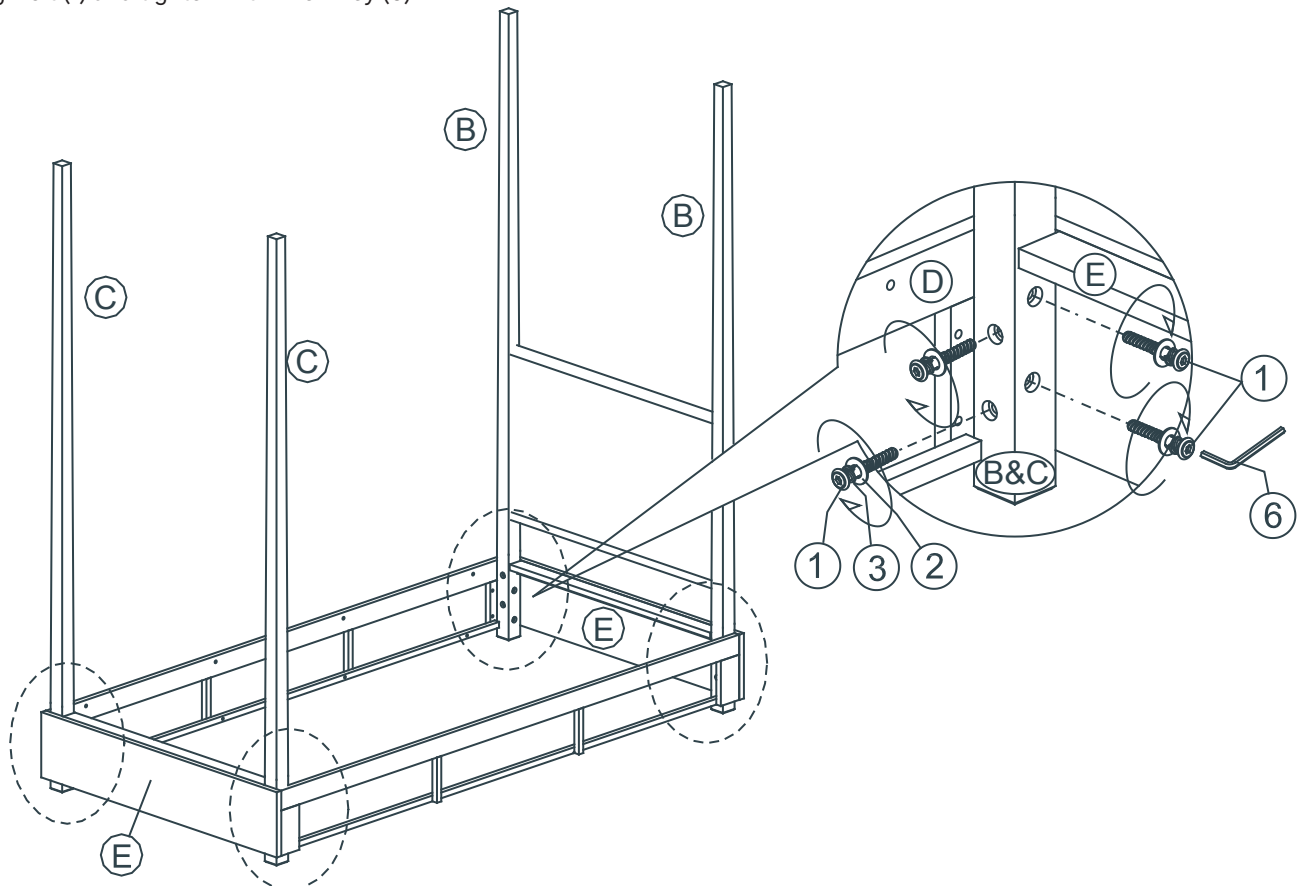
Note:

- Bolts on Headboard/ Footboard are located in the 1st and 3rd bolt locations.
- Bolts on the Side Rails are located in the 2nd and 4th hole locations.
- Repeat steps for all 4 corners.
- Footboard Posts are interchangeable.



STEP 5:

Insert Flat Washer (2), Spring Washer (3), and Long Bolt (1) and tighten with Allen Key (6).

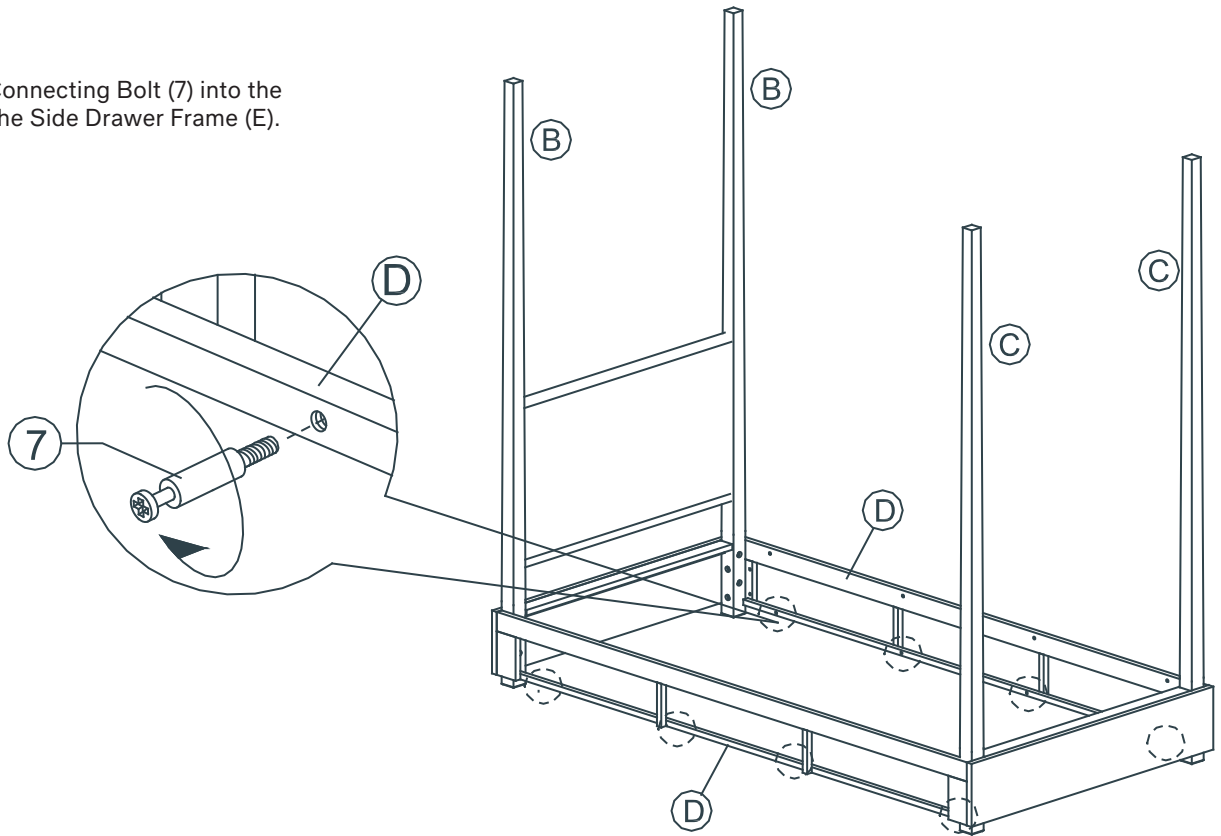


RHTEEN

CALLUM 6-DRAWER TWIN/FULL STORAGE CANOPY BED

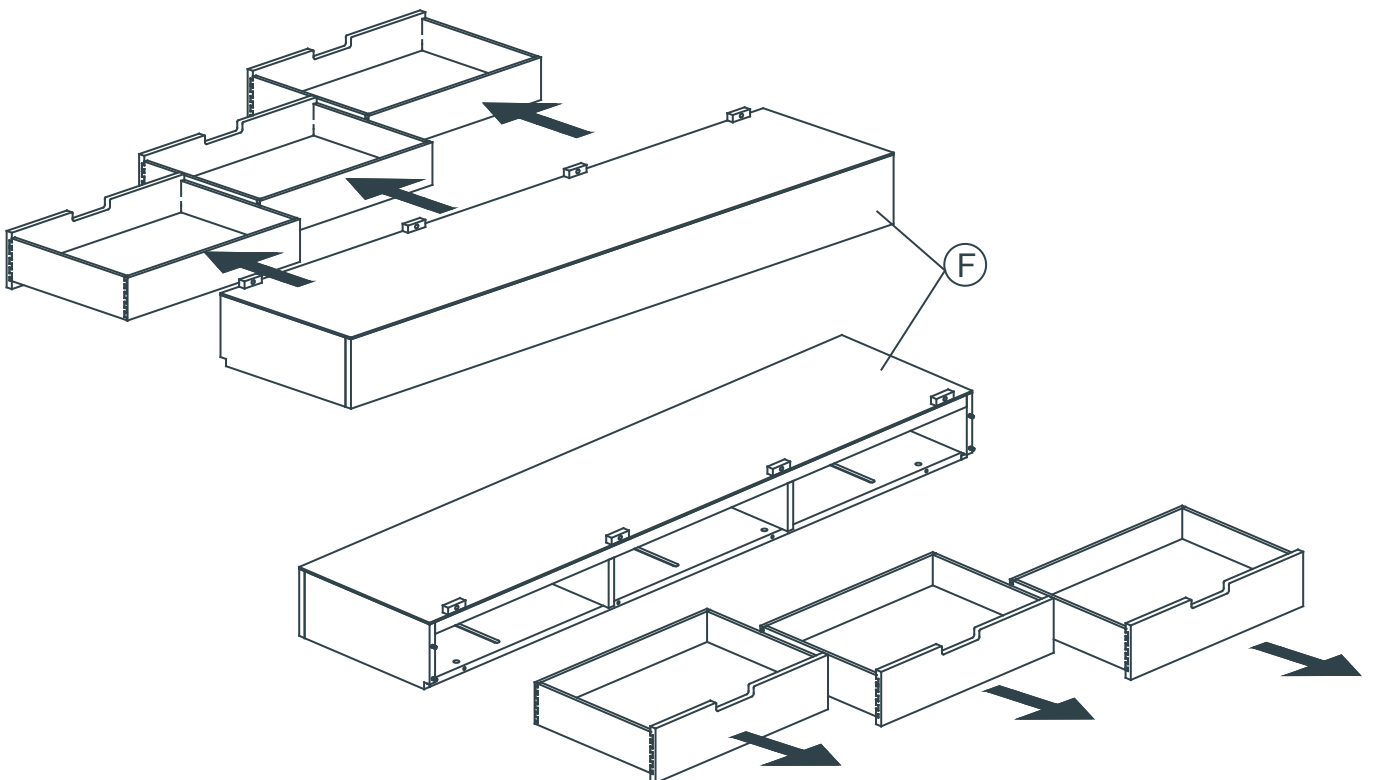
STEP 6:

Insert the Connecting Bolt (7) into the bottom of the Side Drawer Frame (E).



STEP 7:

Please carefully pull the drawers out of the Storage Base (F) by pulling on the cut-outs on drawer fronts.

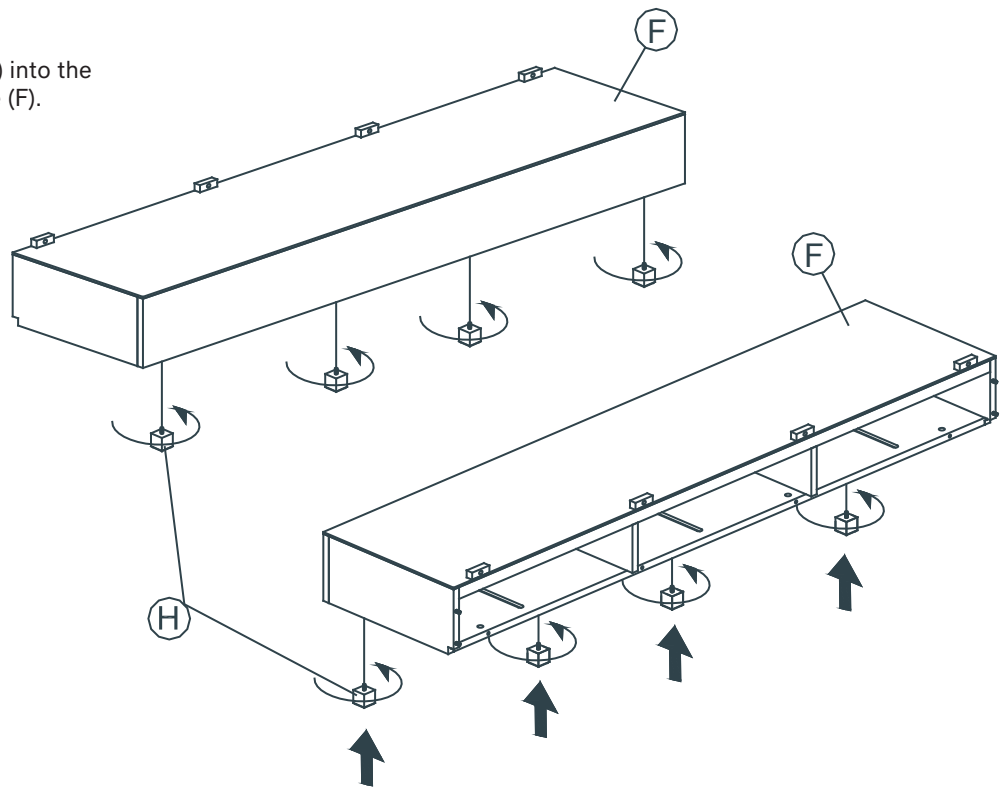


RHTEEN

CALLUM 6-DRAWER TWIN/FULL STORAGE CANOPY BED

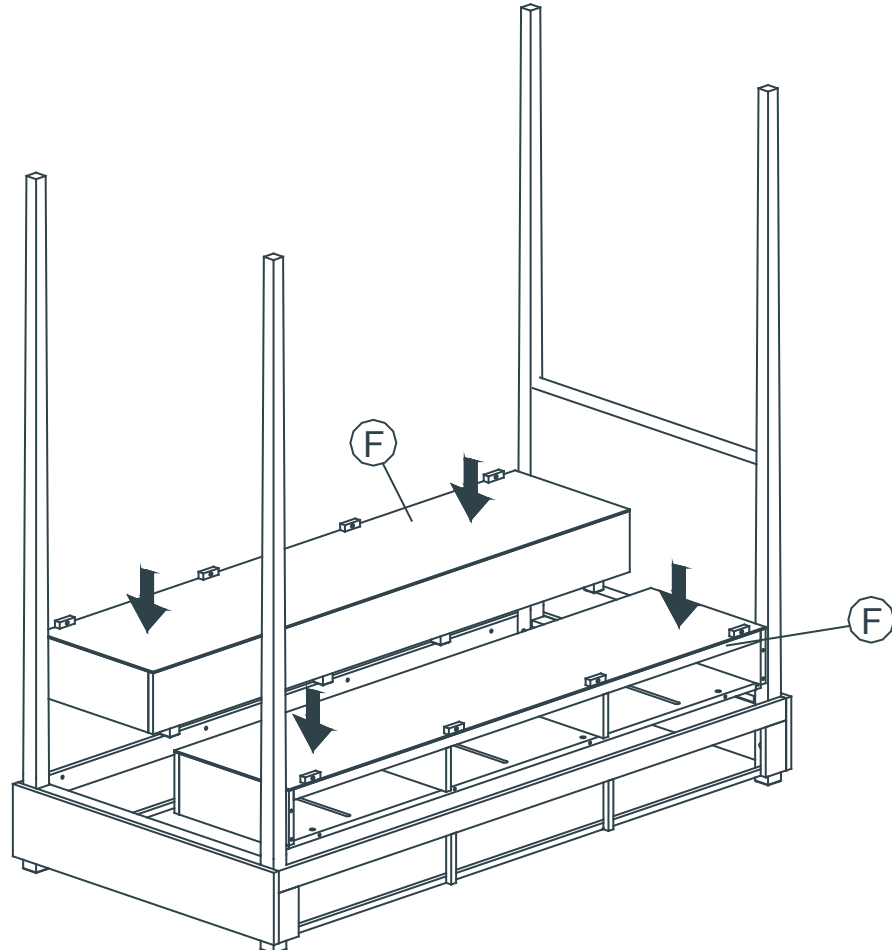
STEP 8:

Attach the Support Legs (H) into the bottom of the Storage Base (F).



STEP 9:

Lay the Storage Base (F) inside the assembled Bed Base.



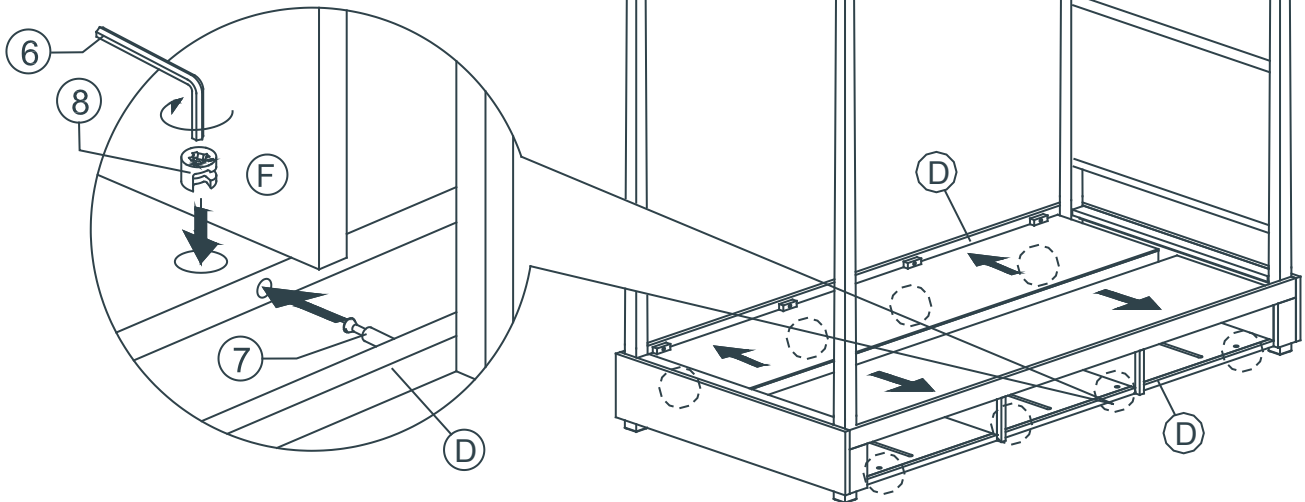
RHTEEN

CALLUM 6-DRAWER TWIN/FULL STORAGE CANOPY BED

STEP 10:

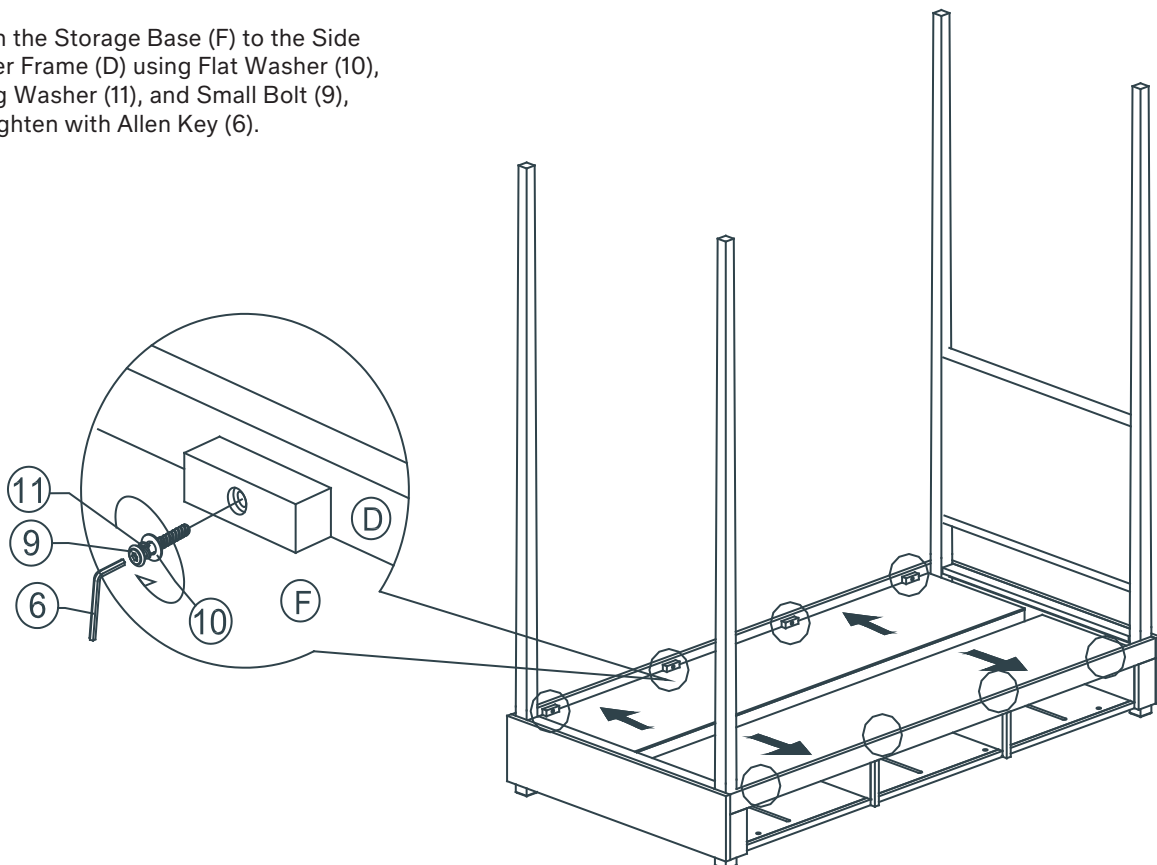
Attach the Storage Base (F) to the Side Drawer Frame (D). Place Camlock Wheel (8) into the holes inside of Storage Base (F) by aligning the arrow sign on the Camlock Wheel (8) with the Connecting Bolts (7) and twist clockwise to tighten using Allen Key (6).

Note: Slot on Camlock Wheel (8) faces outward.



STEP 11:

Attach the Storage Base (F) to the Side Drawer Frame (D) using Flat Washer (10), Spring Washer (11), and Small Bolt (9), and tighten with Allen Key (6).



RHTEEN

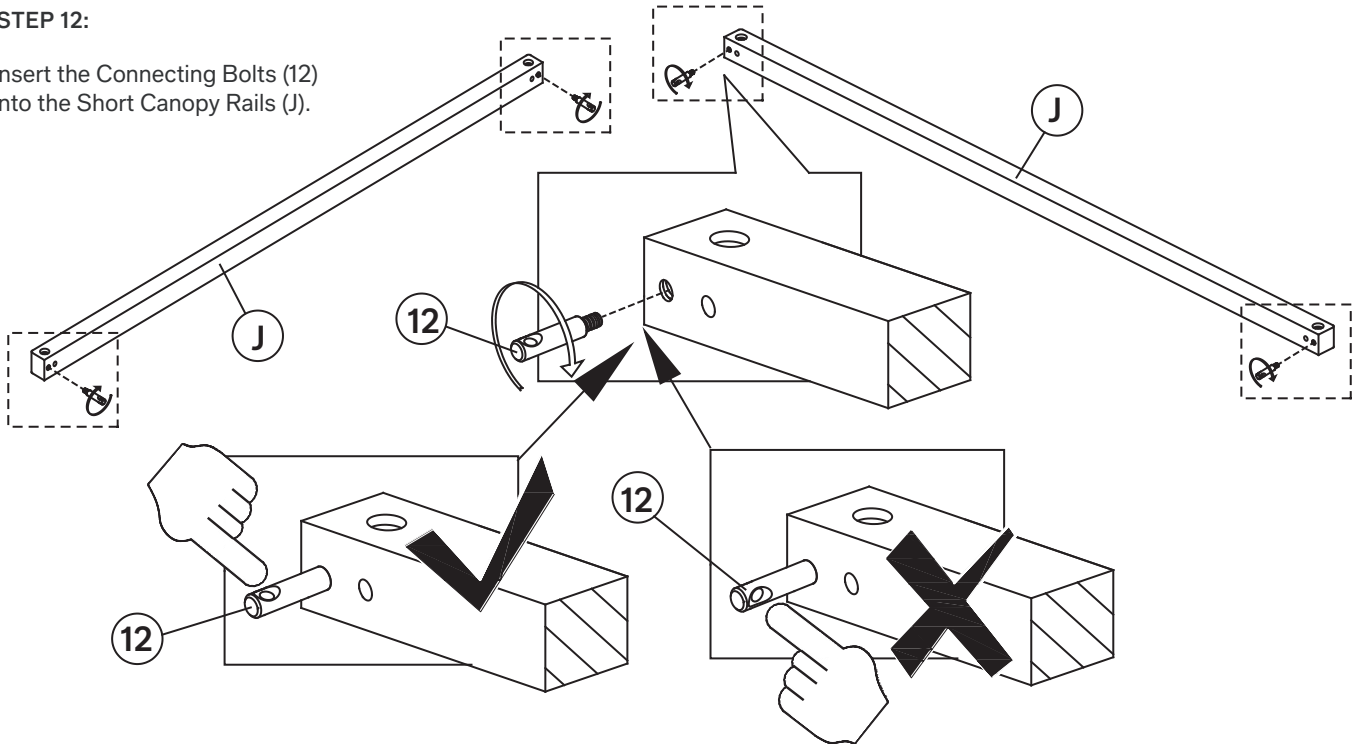
CALLUM 6-DRAWER TWIN/FULL STORAGE CANOPY BED

NOTE: - MAKE SURE THE CANOPY RAILS ARE PUT TOGETHER BEFORE PLACING ON TOP OF THE POSTS.

- ASSEMBLING THE CANOPY: INSERT ALL BOLTS BEFORE FULLY TIGHTENING ALL 4 CORNERS.

STEP 12:

Insert the Connecting Bolts (12) into the Short Canopy Rails (J).

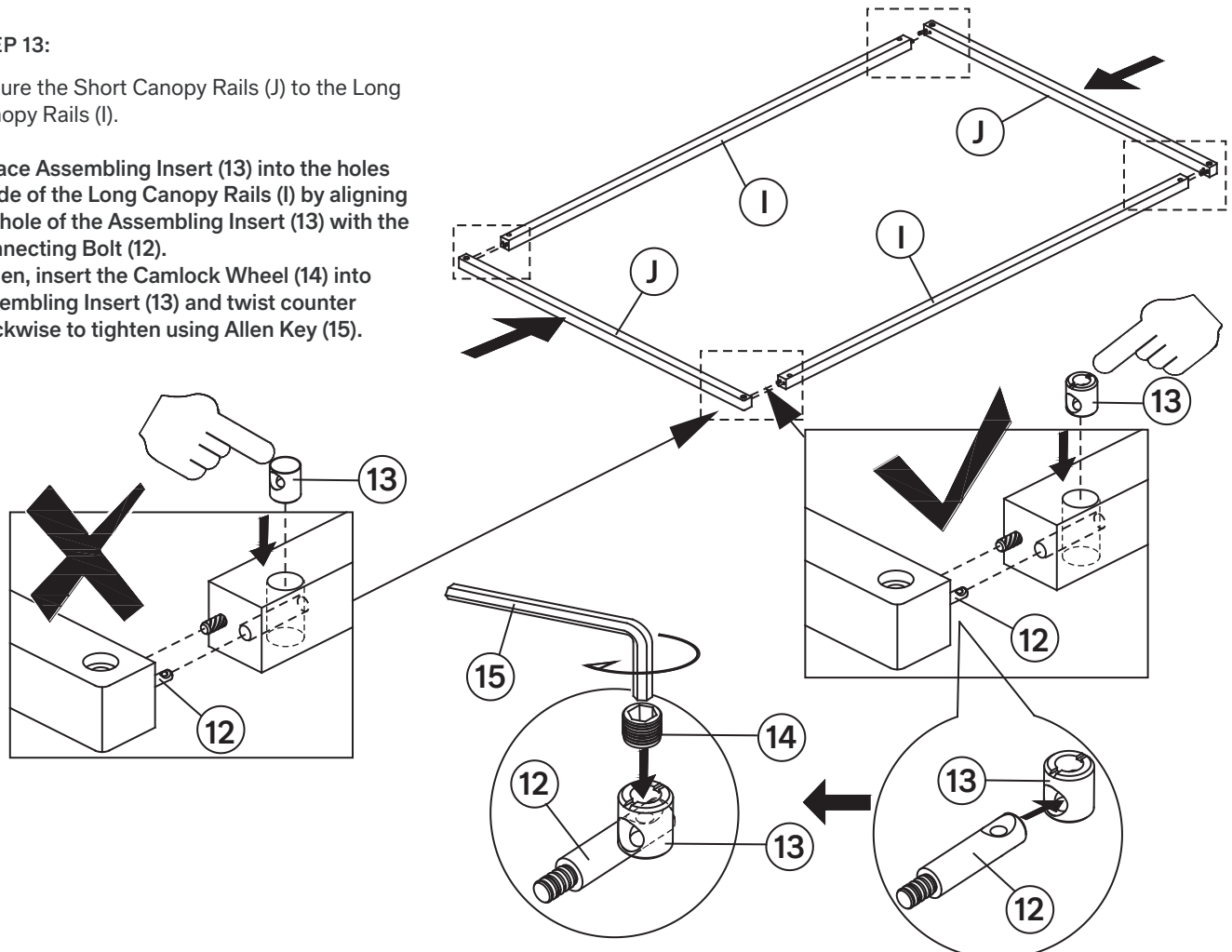


STEP 13:

Secure the Short Canopy Rails (J) to the Long Canopy Rails (I).

- Place Assembling Insert (13) into the holes inside of the Long Canopy Rails (I) by aligning the hole of the Assembling Insert (13) with the Connecting Bolt (12).

- Then, insert the Camlock Wheel (14) into Assembling Insert (13) and twist counter clockwise to tighten using Allen Key (15).



RHTEEN

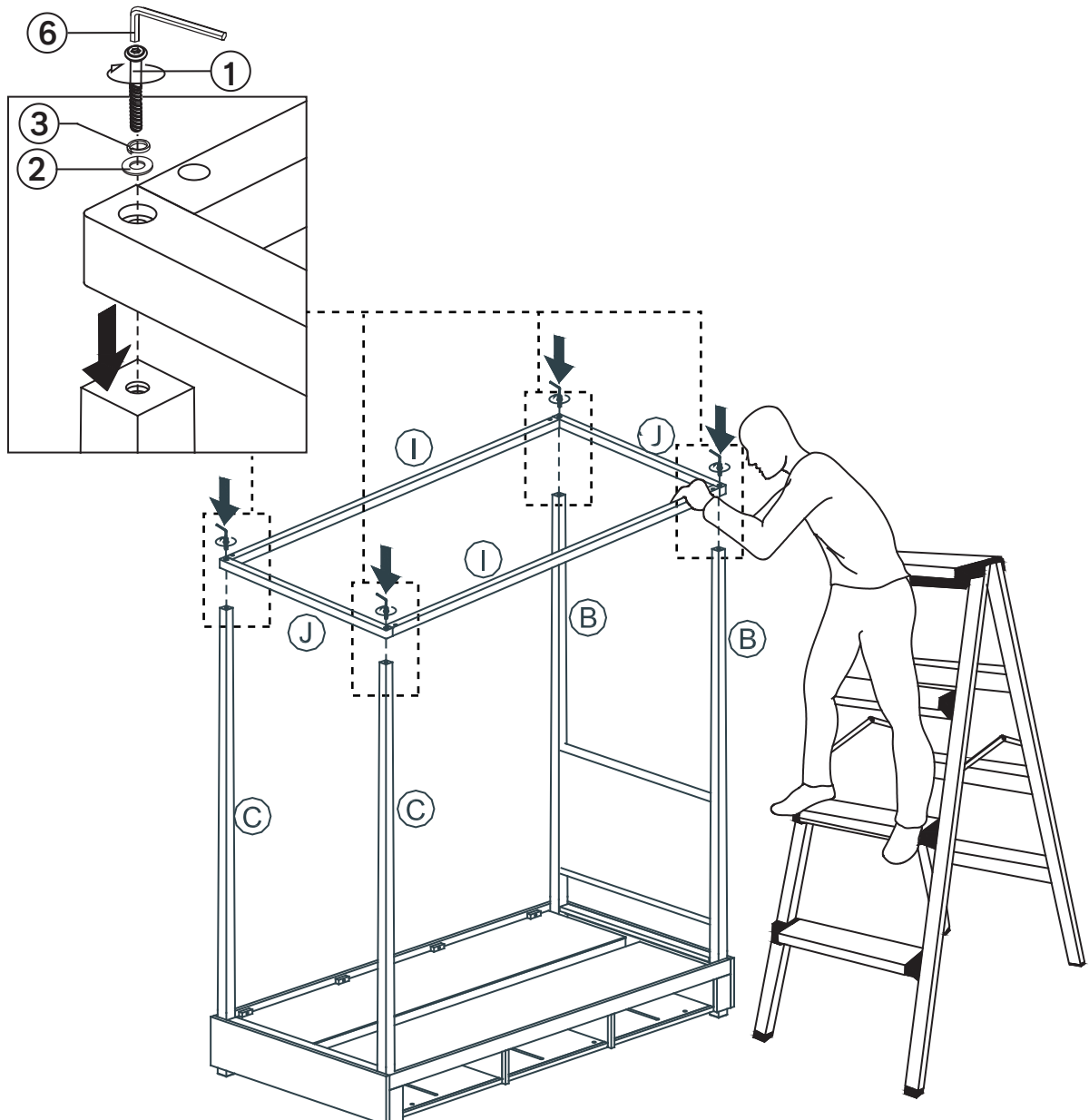
CALLUM 6-DRAWER TWIN/FULL STORAGE CANOPY BED

ASSEMBLY ALERT

- MENDING PLATES SHOULD ONLY BE ATTACHED WHEN BED IS DELIVERED AND ASSEMBLED IN HOME.
THEY SHOULD NOT BE ATTACHED DURING PRE-INSPECTION BY DELIVERY AGENTS.
- PLEASE USE A LADDER WHILE ASSEMBLING THE CANOPY AND METAL BRACKETS.
- MAKE SURE THE LADDER IS STABLE AND SAFE BEFORE YOU CLIMB UP/DOWN.
- BE CAREFUL WHEN TIGHTENING THE SCREWS SO THE WOOD DOES NOT CRACK OR SPLINTER.
- PLEASE MAKE SURE THE METAL BRACKET IS NO LESS THAN 4MM FROM THE EDGE.

STEP 14:

This final procedure should be done by two people working together to carefully lift assembled canopy and place on top of bed posts. Insert the Flat Washer (2), Spring Washer (3), and Long Bolt (1) into the holes of Short Canopy Rails (J). Tighten with Allen Key (6).

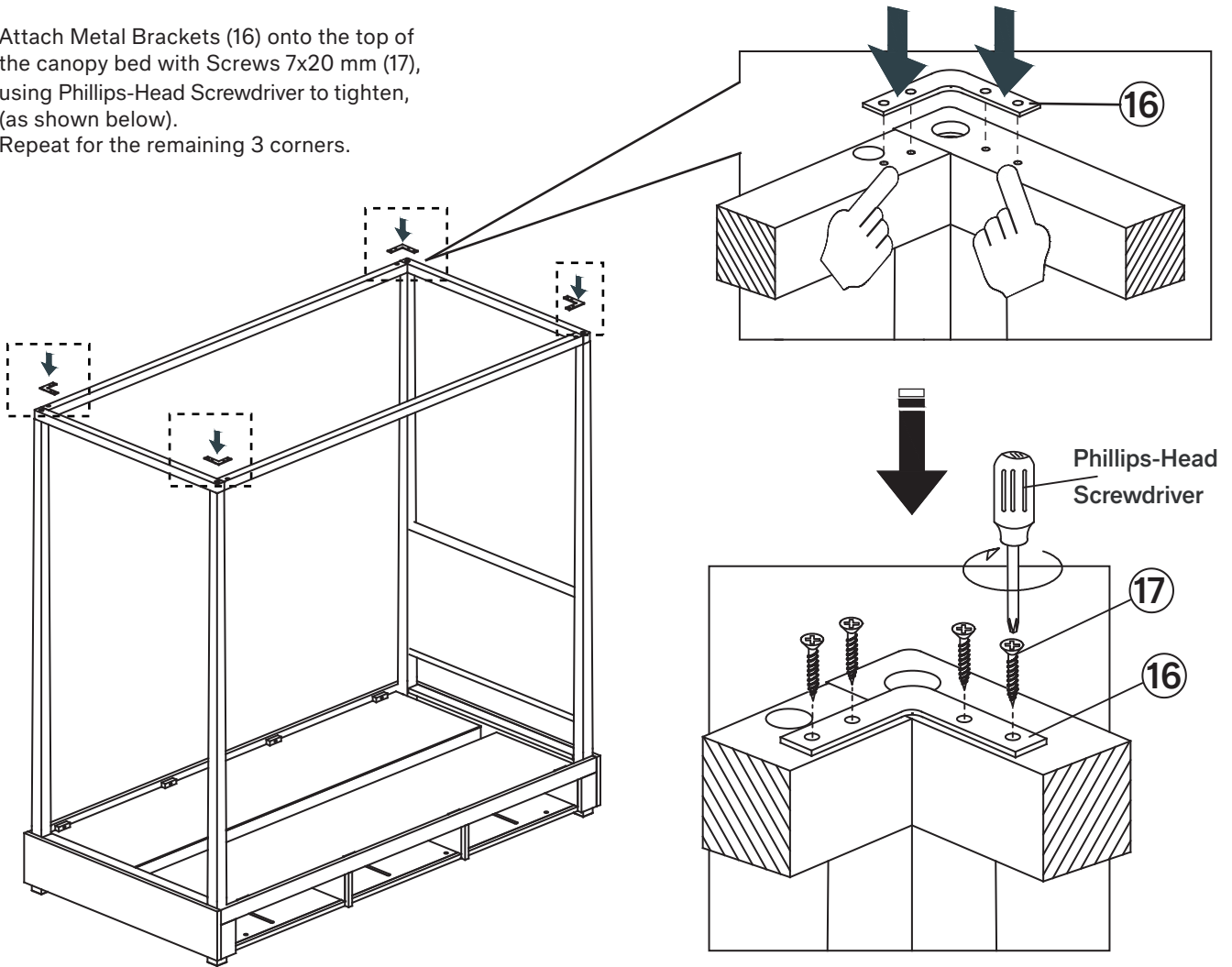


RHTEEN

CALLUM 6-DRAWER TWIN/FULL STORAGE CANOPY BED

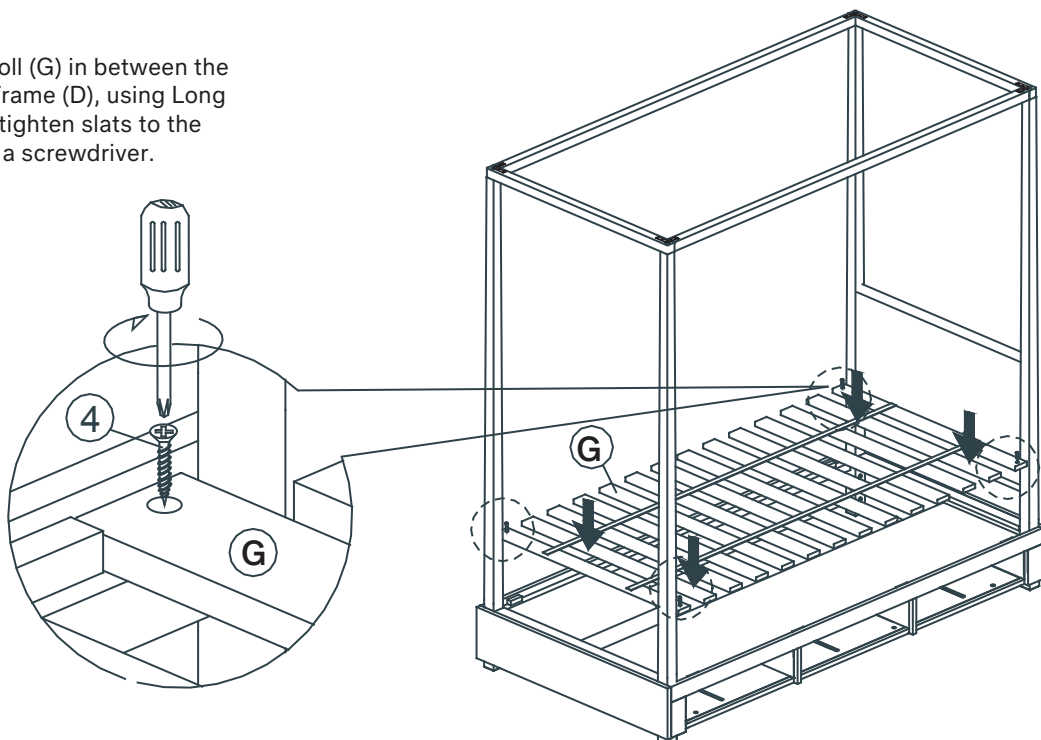
STEP 15:

Attach Metal Brackets (16) onto the top of the canopy bed with Screws 7x20 mm (17), using Phillips-Head Screwdriver to tighten, (as shown below). Repeat for the remaining 3 corners.



STEP 16:

Lay the Slat Roll (G) in between the Side Drawer Frame (D), using Long Screws (4) to tighten slats to the side rails with a screwdriver.

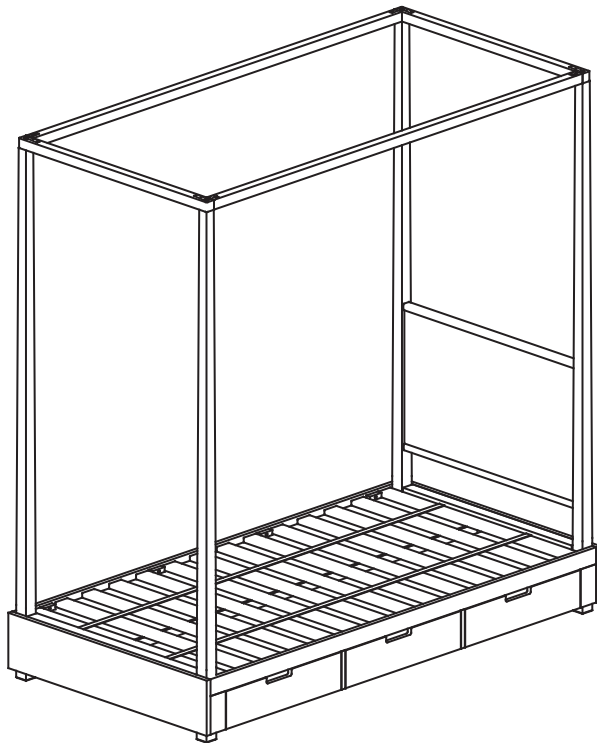
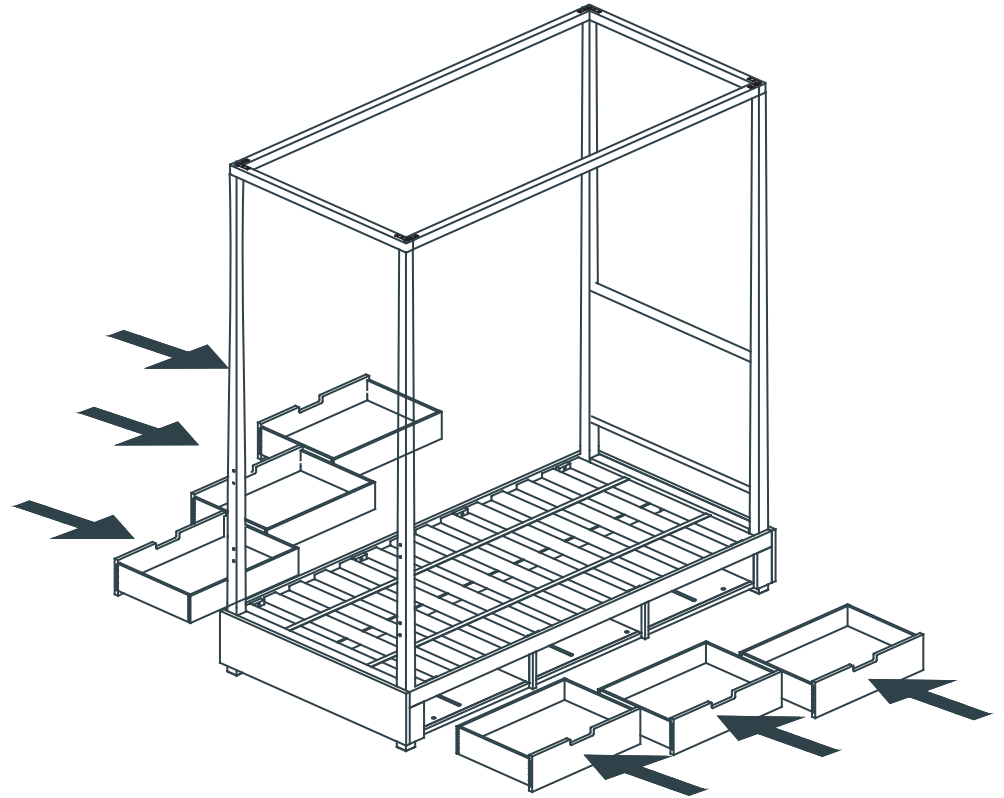


RHTEEN

CALLUM 6-DRAWER TWIN/FULL STORAGE CANOPY BED

STEP 17:

Insert drawers into the Storage Base (F).
Assembly is completed.



CARE INSTRUCTIONS:

- Dust often using a clean, soft, dry lint-free cloth.
- Blot spills immediately, and wipe with a clean, damp cloth.
- We do not recommend the use of chemical cleansers, abrasives, or furniture polish on our lacquered finish.

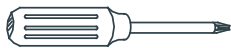
RHTEEN

CALLUM 6-DRAWER QUEEN STORAGE CANOPY BED

PARTS INCLUDED:

- A [1] HEADBOARD PANEL
- B [2] HEADBOARD POSTS
- C [2] FOOTBOARD POSTS
- D [2] SIDE DRAWER FRAME
- E [2] SHORT SIDE RAILS
- F [2] STORAGE BASE
- G [1] SLAT ROLL
- H [8] SUPPORT LEGS
- I [2] LONG CANOPY RAILS
- J [2] SHORT CANOPY RAILS
- K [5] CENTER LEGS

TOOLS NEEDED:



Phillips-Head Screwdriver (not included)

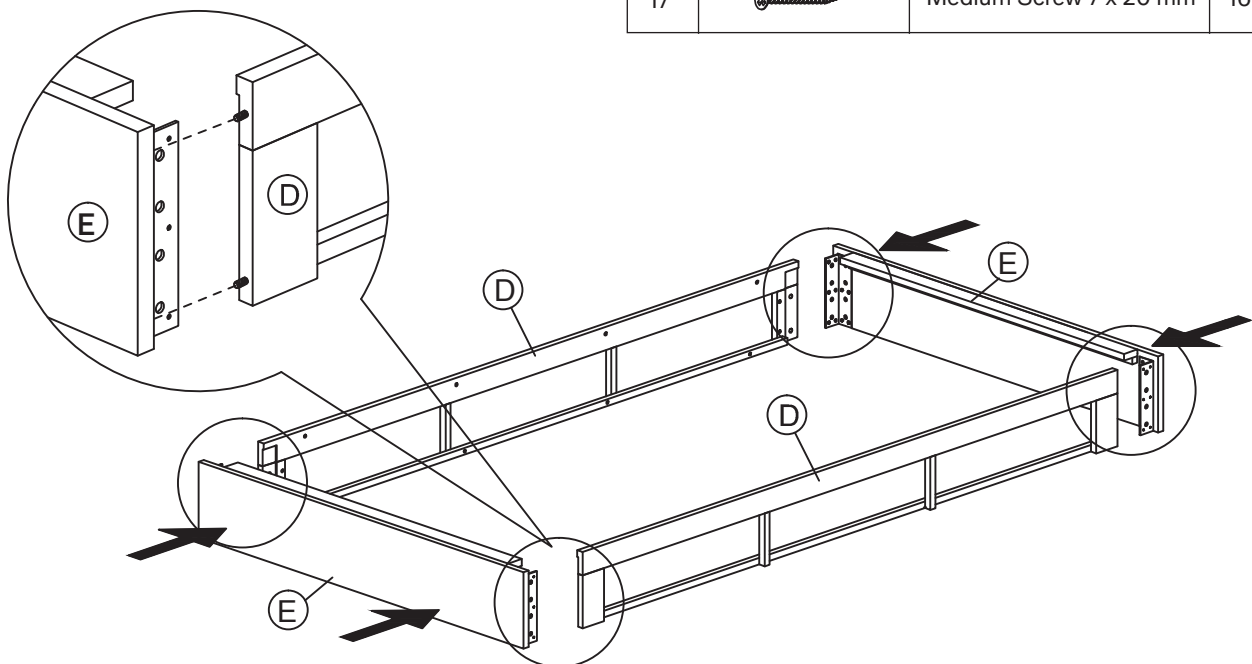
ASSEMBLY INSTRUCTIONS:

Note:

Two adults are recommended to assemble this bed.

STEP 1:

Attach the Side Drawer Frame (D) to the Short Side Rails (E).



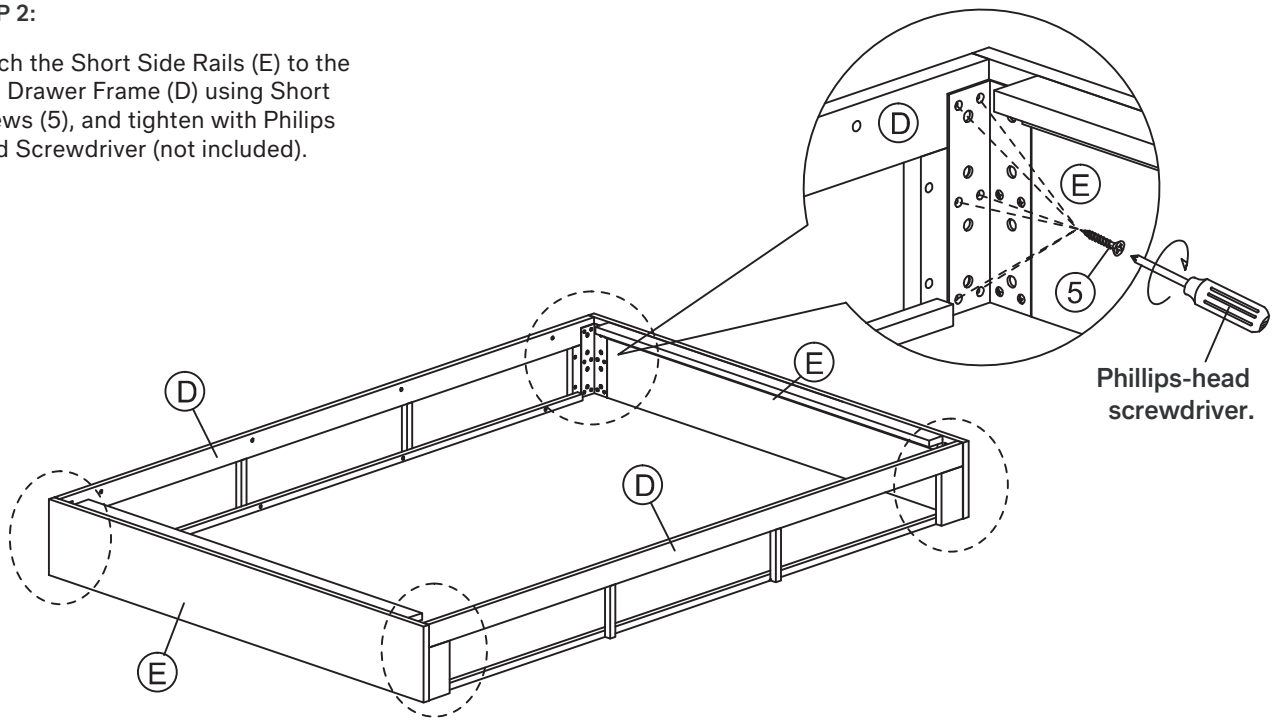
NO.	ITEM	DESCRIPTION	QTY.
1		Long Bolt 5/16" x 2-1/4"	20 pcs.
2		Flat Washer 5/16"	20 pcs.
3		Spring Washer 5/16"	20 pcs.
4		Long Screw 8 x 30 mm	28 pcs.
5		Short Screws 8 x 15 mm	20 pcs.
6		Allen Key 4 mm	1 pc.
7		Connecting Bolt 6 mm	8 pcs.
8		Camlock Wheel 14 mm	8 pcs.
9		Small Bolt 1/4" x 1-1/4"	8 pcs.
10		Flat Washer 1/4"	8 pcs.
11		Spring Washer 1/4"	8 pcs.
12		Connecting Bolt	4 pcs.
13		Assembling Insert	4 pcs.
14		Camlock Wheel	4 pcs.
15		Allen Key 5 mm	1 pc.
16		Metal Bracket 65 x 65 x 2 mm	4 pcs.
17		Medium Screw 7 x 20 mm	16 pcs.

RHTEEN

CALLUM 6-DRAWER QUEEN STORAGE CANOPY BED

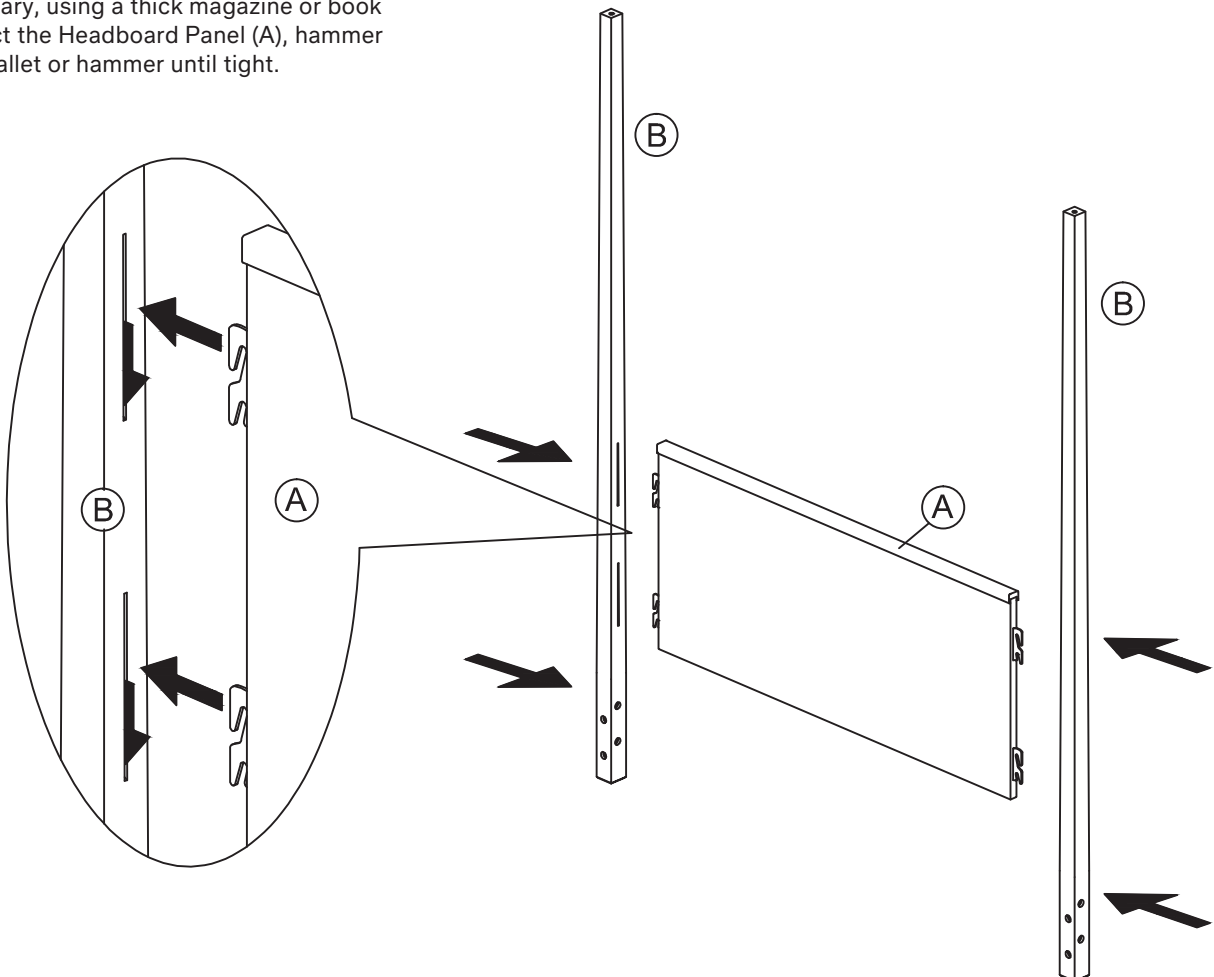
STEP 2:

Attach the Short Side Rails (E) to the Side Drawer Frame (D) using Short Screws (5), and tighten with Phillips Head Screwdriver (not included).



STEP 3:

Place the hooks of the Headboard Panel (A) into the slots in the Headboard Post (B). If necessary, using a thick magazine or book to protect the Headboard Panel (A), hammer with a mallet or hammer until tight.



RHTEEN

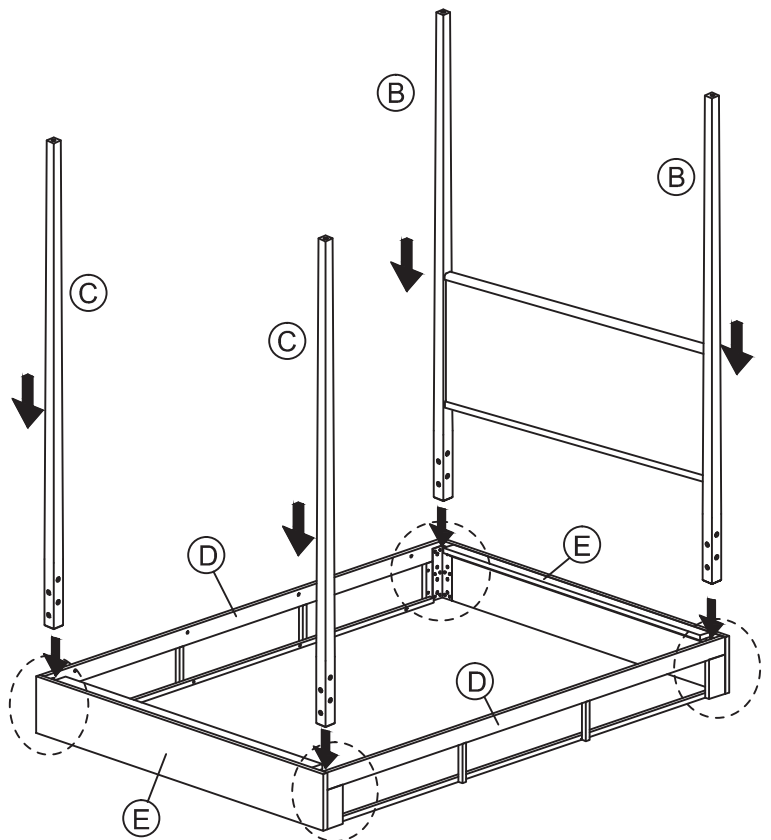
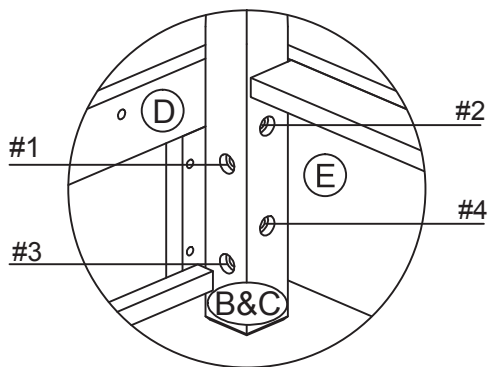
CALLUM 6-DRAWER QUEEN STORAGE CANOPY BED

STEP 4:

Attach the Headboard Posts (B) and Footboard Posts (C) to the Bed Base.

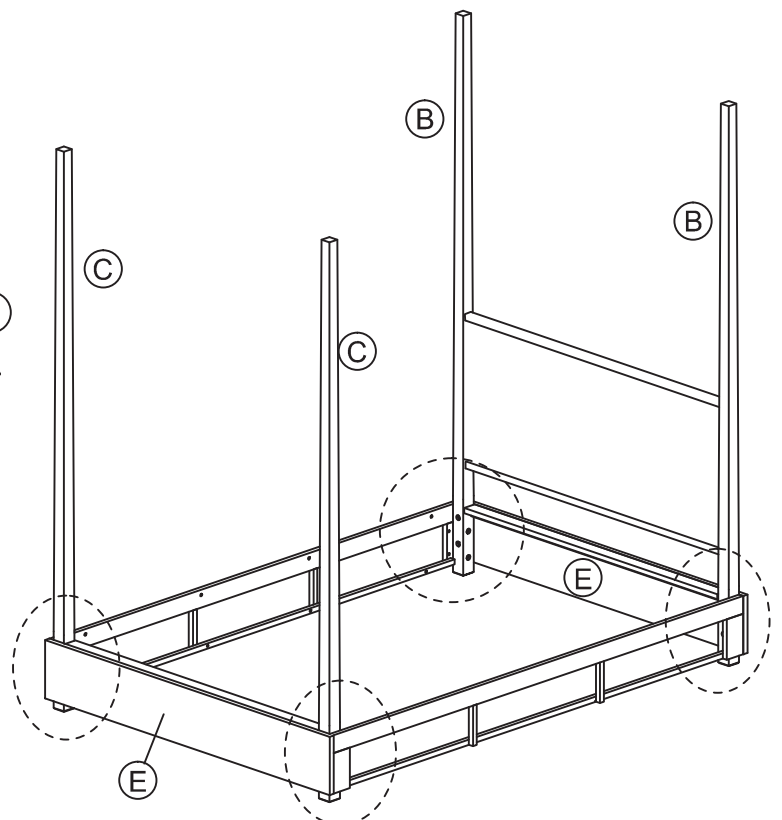
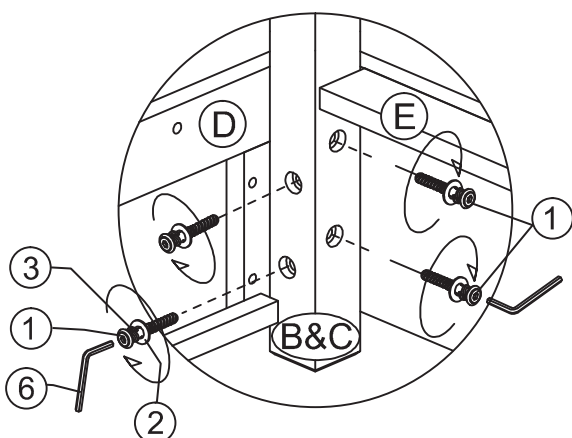
Note:

- Bolts on Headboard/Footboard are located in the 1st and 3rd bolt locations.
- Bolts on the Side Rails are located in the 2nd and 4th hole locations.
- Repeat steps for all 4 corners.
- Footboard Posts are interchangeable.



STEP 5:

Insert Flat Washer (2), Spring Washer (3), and Long Bolt (1) and tighten with Allen Key (6).

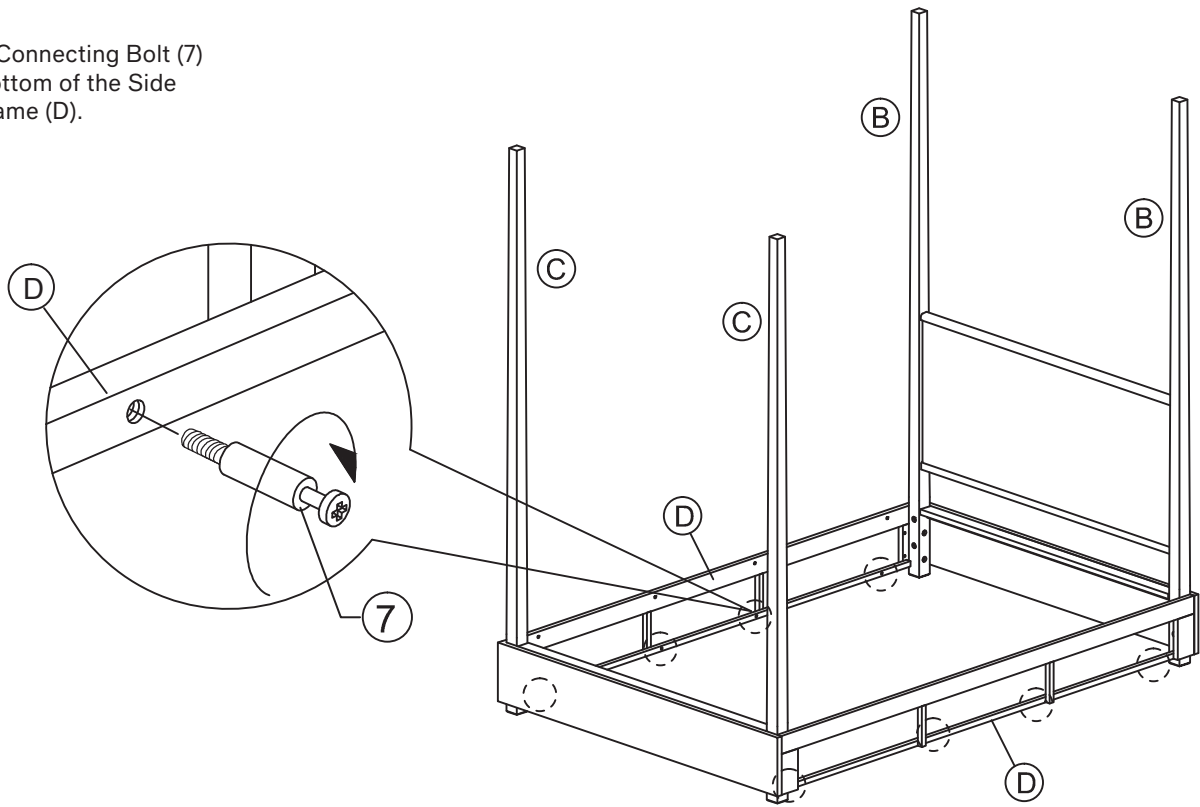


RHTEEN

CALLUM 6-DRAWER QUEEN STORAGE CANOPY BED

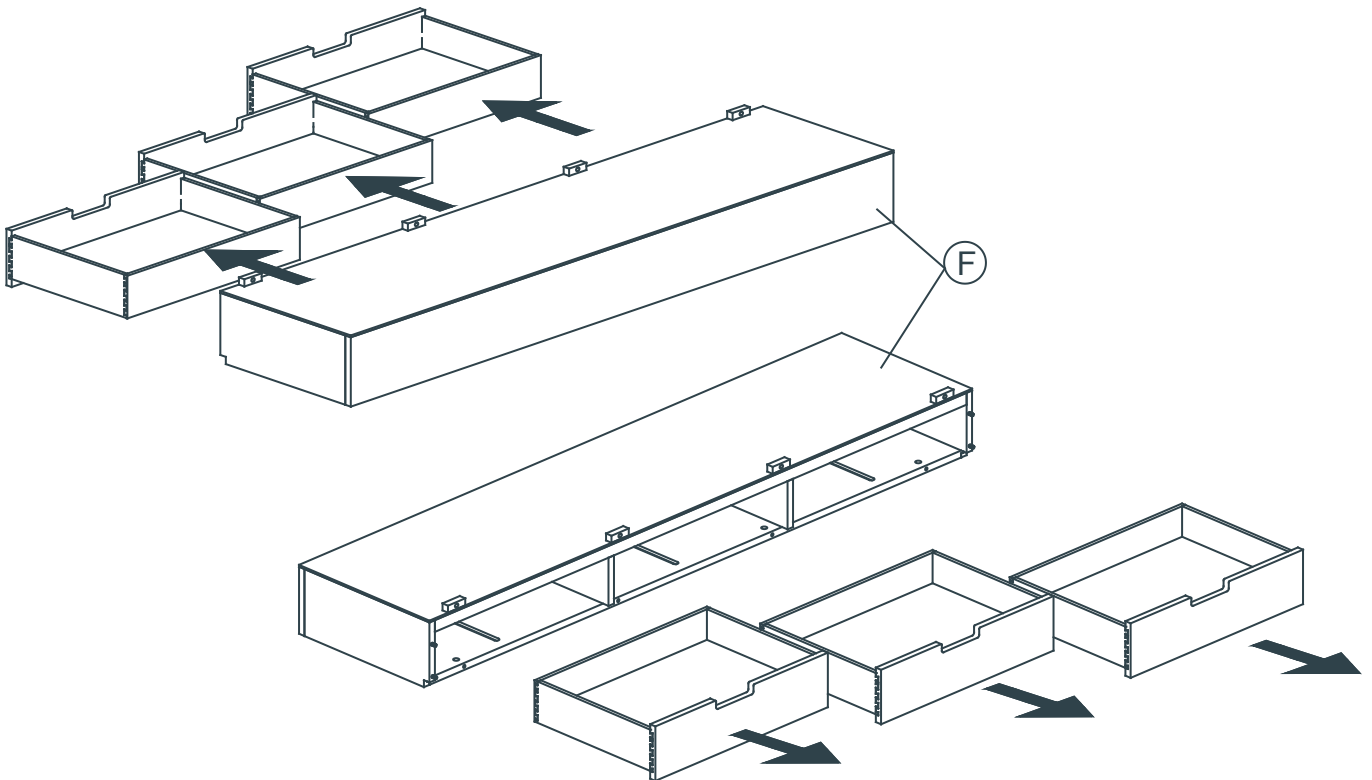
STEP 6:

Insert the Connecting Bolt (7) into the bottom of the Side Drawer Frame (D).



STEP 7:

Please carefully pull the drawers out of the Storage Base (F) by pulling on the cut-outs on drawer fronts.

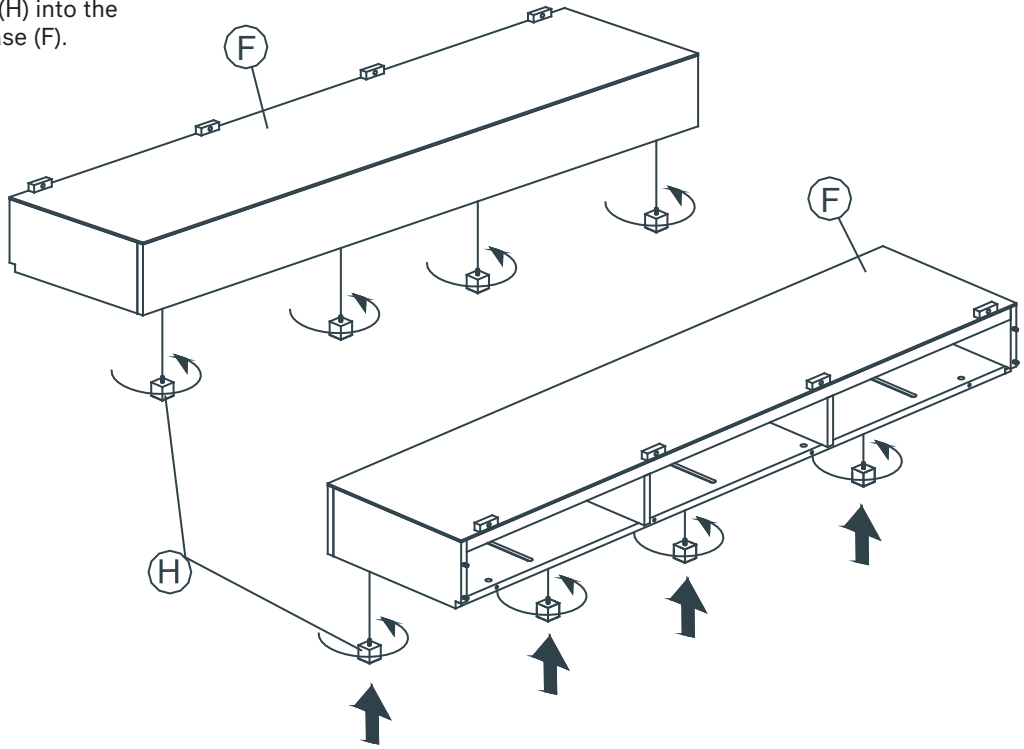


RHTEEN

CALLUM 6-DRAWER QUEEN STORAGE CANOPY BED

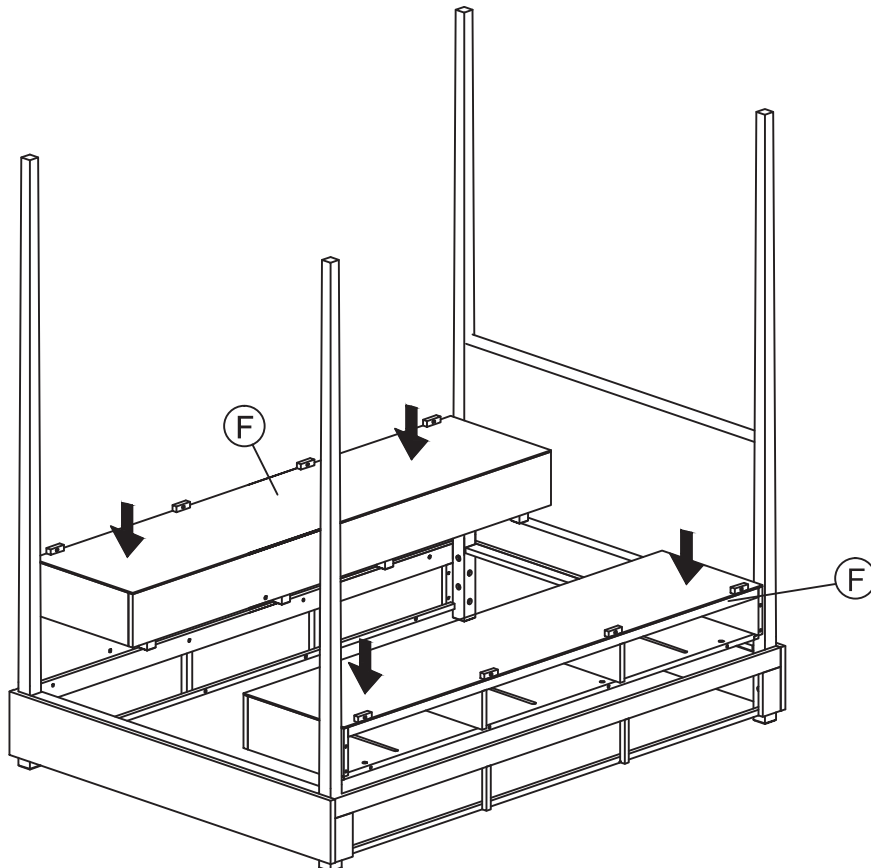
STEP 8:

Attach the Support Legs (H) into the bottom of the Storage Base (F).



STEP 9:

Lay the Storage Base (F) inside the assembled Bed Base.



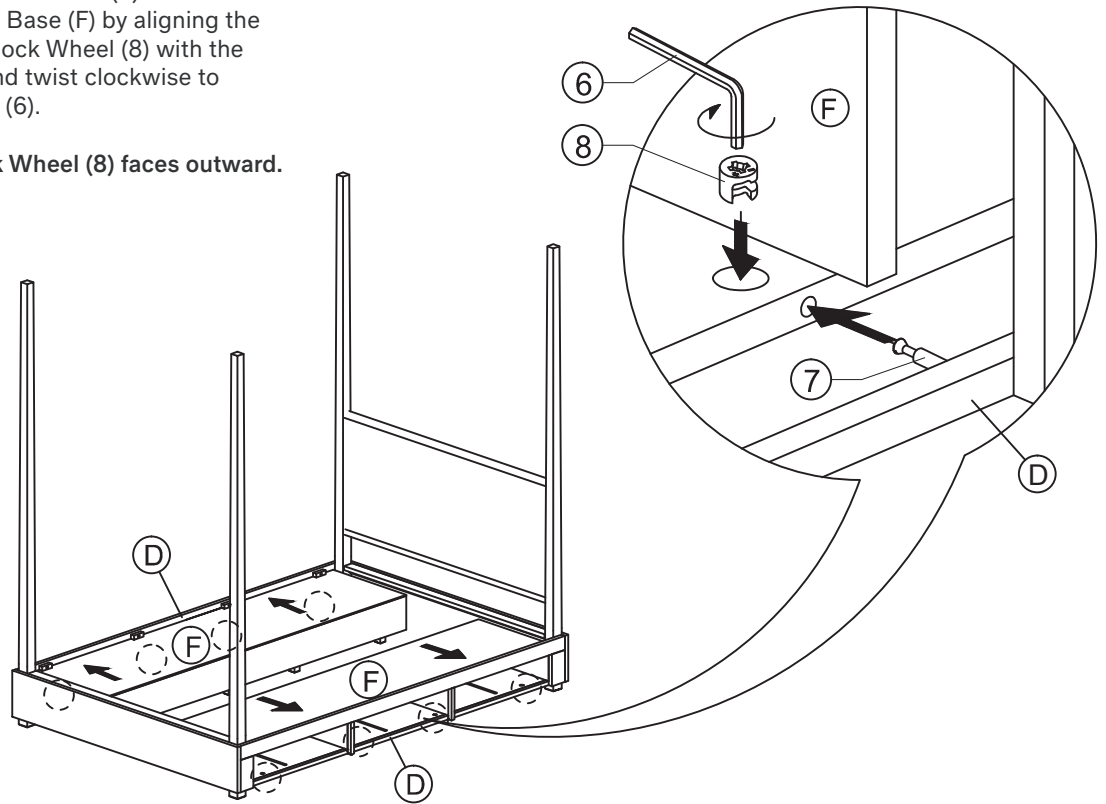
RHTEEN

CALLUM 6-DRAWER QUEEN STORAGE CANOPY BED

STEP 10:

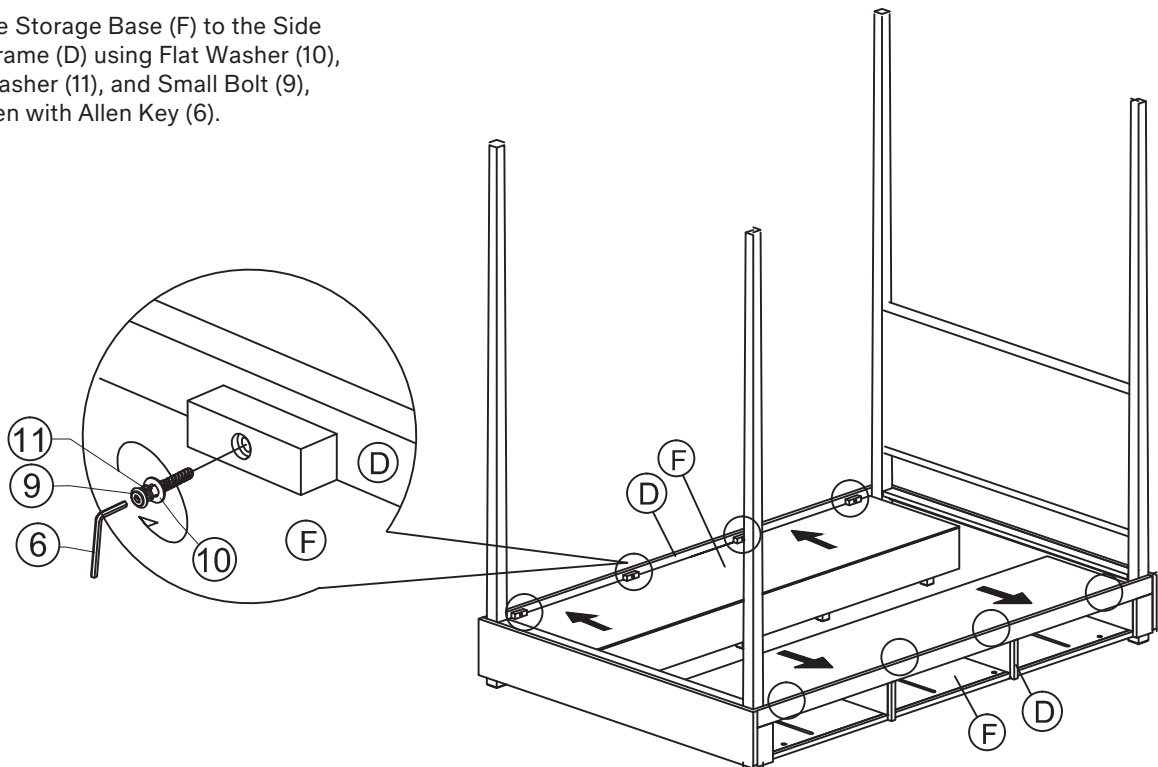
Attach the Storage Base (F) to the Side Drawer Frame (D). Place Camlock Wheel (8) into the holes inside of Storage Base (F) by aligning the arrow sign on the Camlock Wheel (8) with the Connecting Bolts (7) and twist clockwise to tighten using Allen Key (6).

Note: Slot on Camlock Wheel (8) faces outward.



STEP 11:

Attach the Storage Base (F) to the Side Drawer Frame (D) using Flat Washer (10), Spring Washer (11), and Small Bolt (9), and tighten with Allen Key (6).



RHTEEN

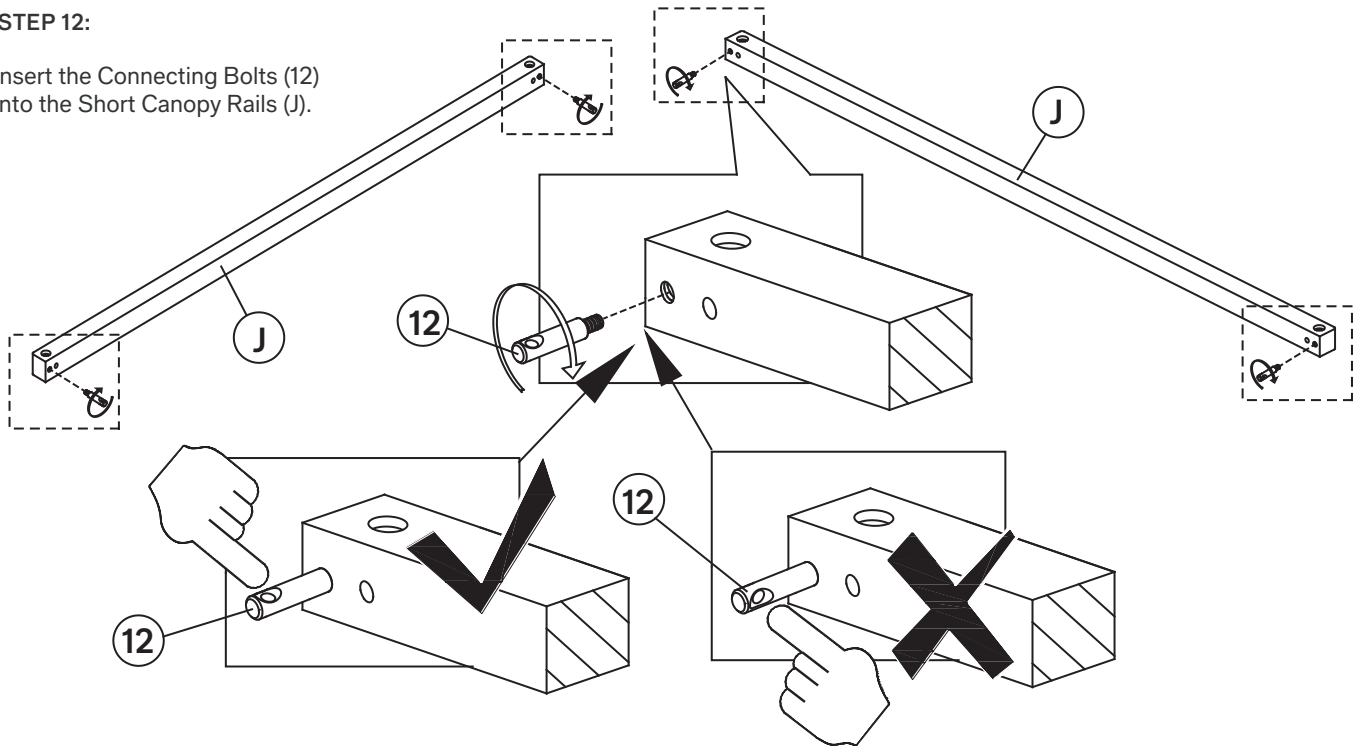
CALLUM 6-DRAWER QUEEN STORAGE CANOPY BED

NOTE: - MAKE SURE THE CANOPY RAILS ARE PUT TOGETHER BEFORE PLACING ON TOP OF THE POSTS.

- ASSEMBLING THE CANOPY: INSERT ALL BOLTS BEFORE FULLY TIGHTENING ALL 4 CORNERS.

STEP 12:

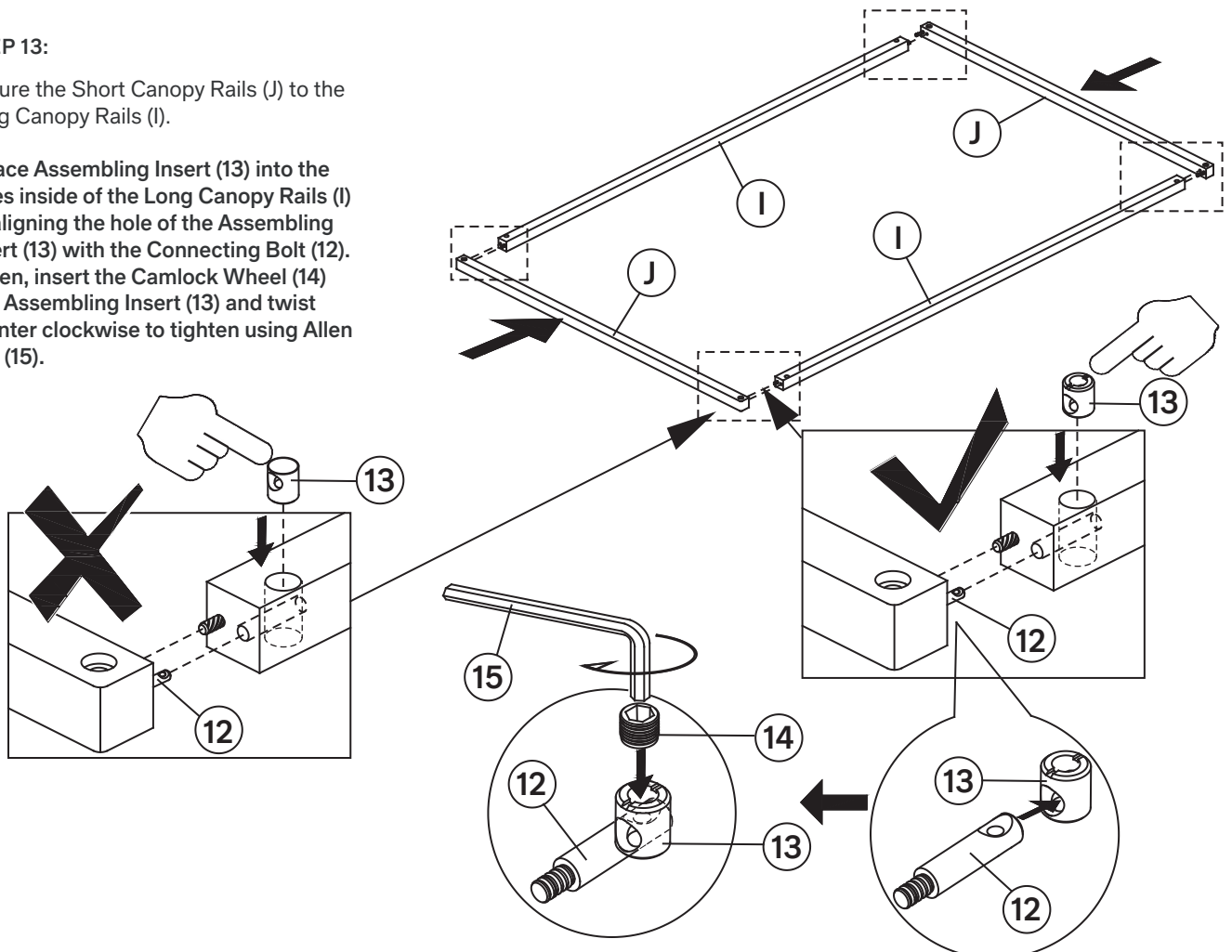
Insert the Connecting Bolts (12) into the Short Canopy Rails (J).



STEP 13:

Secure the Short Canopy Rails (J) to the Long Canopy Rails (I).

- Place Assembling Insert (13) into the holes inside of the Long Canopy Rails (I) by aligning the hole of the Assembling Insert (13) with the Connecting Bolt (12).
- Then, insert the Camlock Wheel (14) into Assembling Insert (13) and twist counter clockwise to tighten using Allen Key (15).



RHTEEN

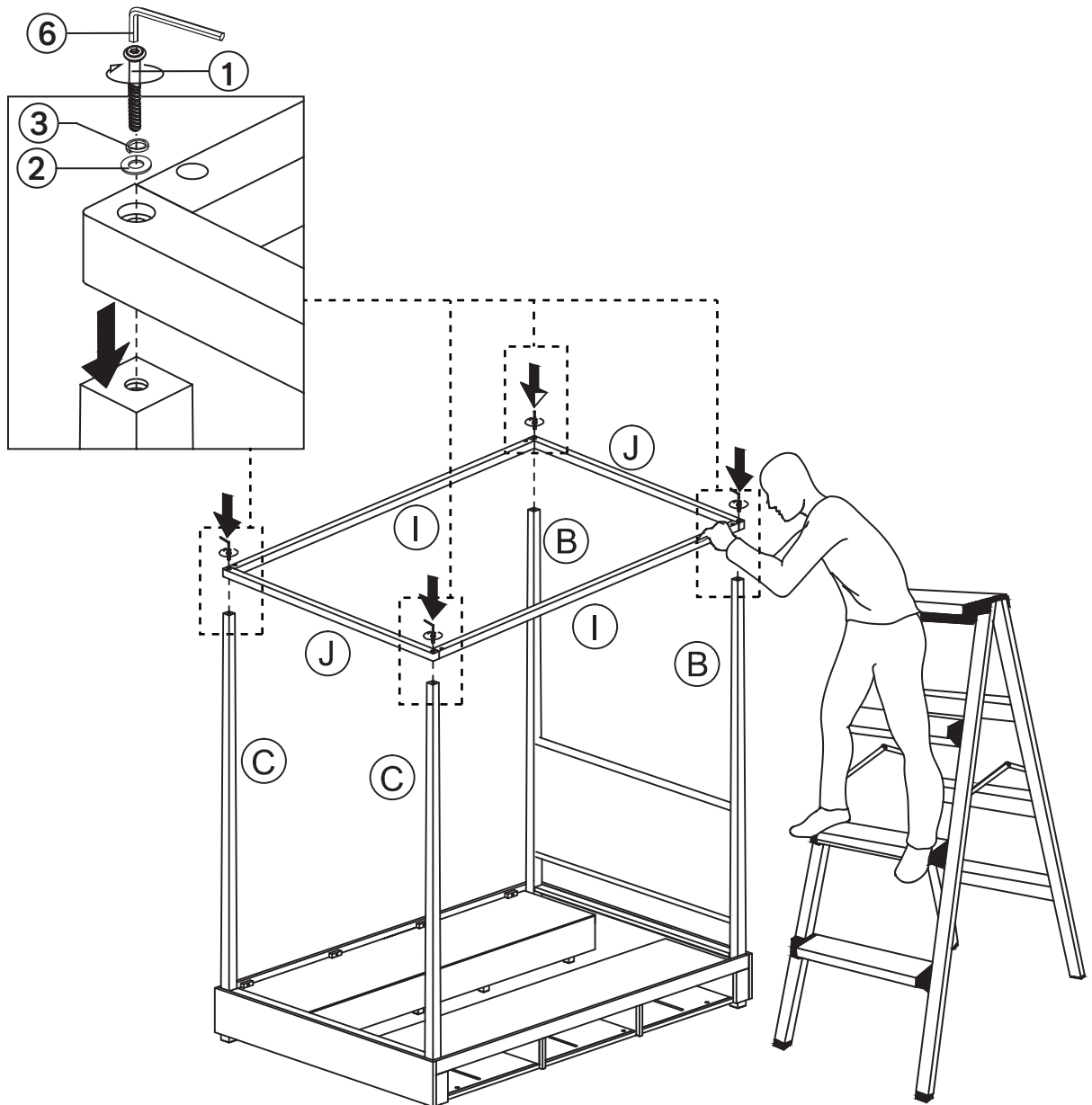
CALLUM 6-DRAWER QUEEN STORAGE CANOPY BED

ASSEMBLY ALERT

- MENDING PLATES SHOULD ONLY BE ATTACHED WHEN BED IS DELIVERED AND ASSEMBLED IN HOME.
- THEY SHOULD NOT BE ATTACHED DURING PRE-INSPECTION BY DELIVERY AGENTS.
- PLEASE USE A LADDER WHILE ASSEMBLING THE CANOPY AND METAL BRACKETS.
- MAKE SURE THE LADDER IS STABLE AND SAFE BEFORE YOU CLIMB UP/DOWN.
- BE CAREFUL WHEN TIGHTENING THE SCREWS SO THE WOOD DOES NOT CRACK OR SPLINTER.
- PLEASE MAKE SURE THE METAL BRACKET IS NO LESS THAN 4MM FROM THE EDGE.

STEP 14:

This final procedure should be done by two people working together to carefully lift assembled canopy and place on top of bed posts. Insert the Flat Washer (2), Spring Washer (3), and Long Bolt (1) into the holes of Short Canopy Rails (J). Tighten with Allen Key (6).

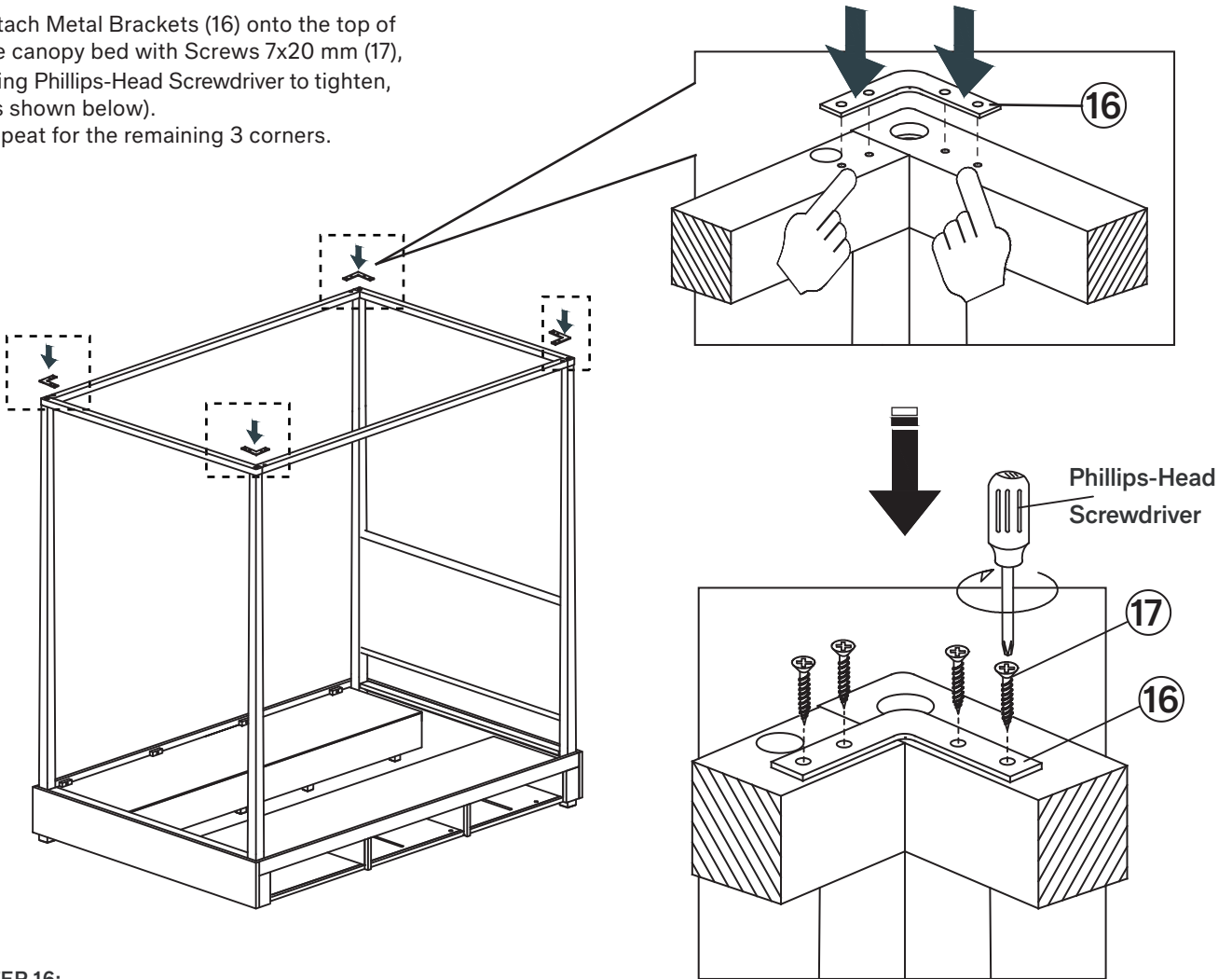


RHTEEN

CALLUM 6-DRAWER QUEEN STORAGE CANOPY BED

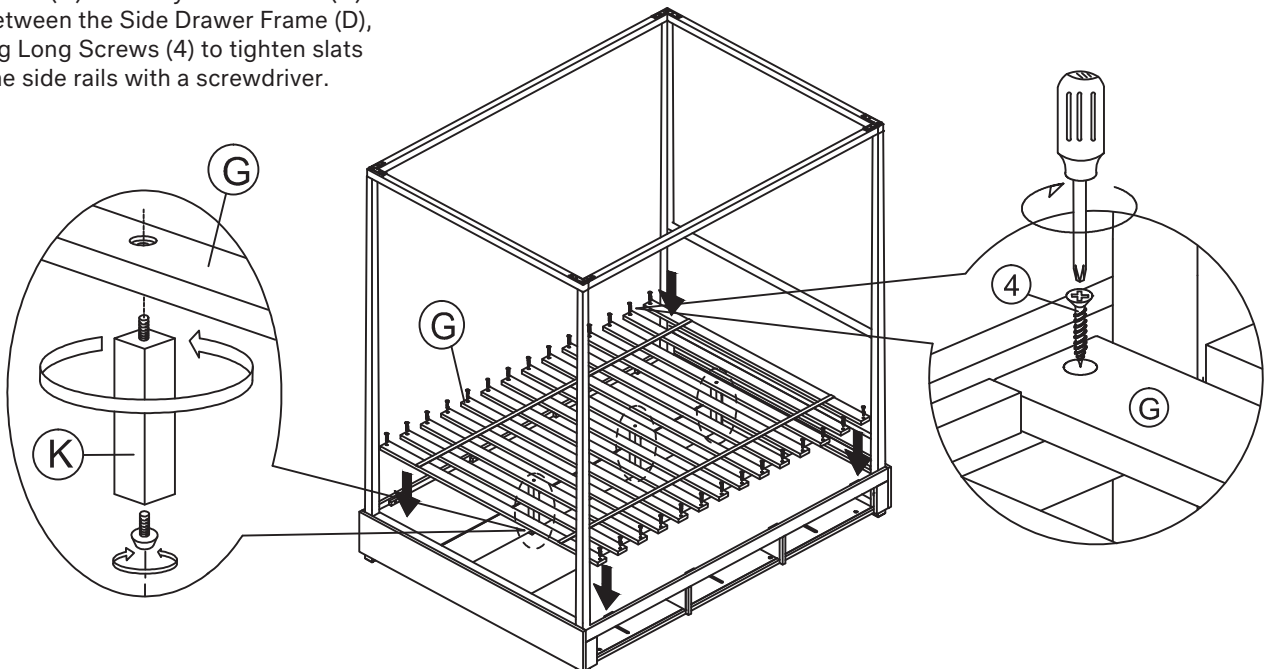
STEP 15:

Attach Metal Brackets (16) onto the top of the canopy bed with Screws 7x20 mm (17), using Phillips-Head Screwdriver to tighten, (as shown below). Repeat for the remaining 3 corners.



STEP 16:

Tighten the Center Legs (K) to the Slat Roll (G). Then lay the Slat Roll (G) in between the Side Drawer Frame (D), using Long Screws (4) to tighten slats to the side rails with a screwdriver.

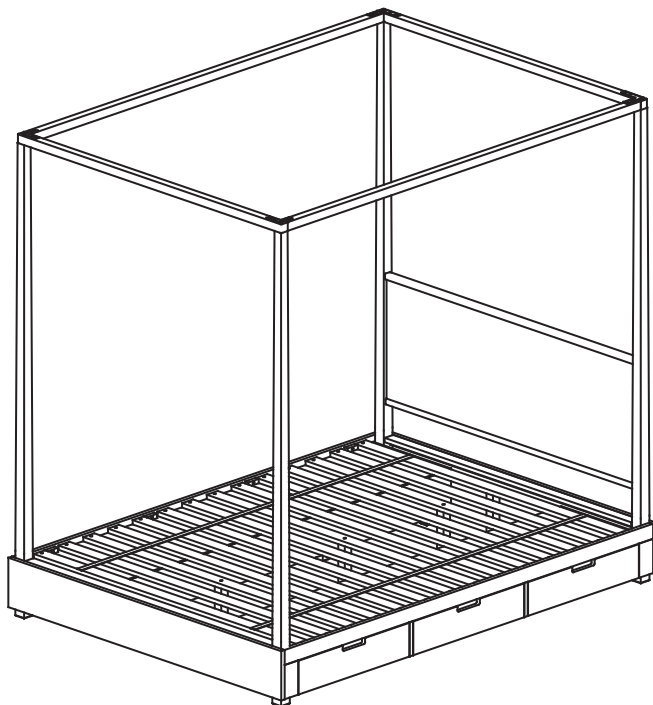
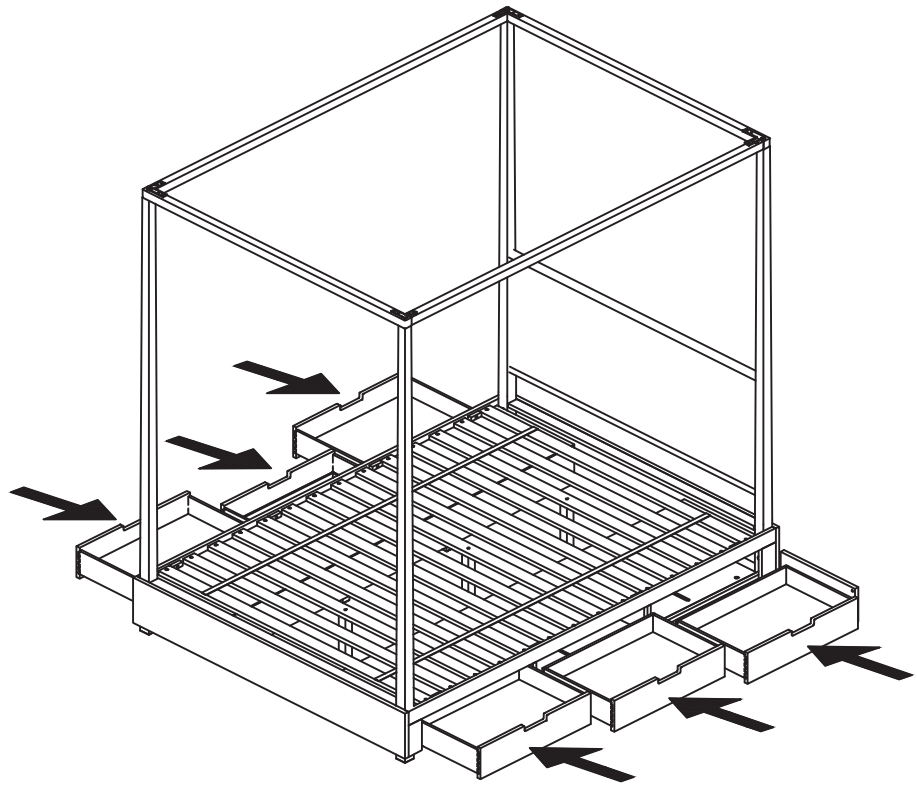


RHTEEN

CALLUM 6-DRAWER QUEEN STORAGE CANOPY BED

STEP 17:

Insert drawers into the Storage Base (F) and assembly is completed.



CARE INSTRUCTIONS:

- Dust often using a clean, soft, dry lint-free cloth.
- Blot spills immediately, and wipe with a clean, damp cloth.
- We do not recommend the use of chemical cleansers, abrasives, or furniture polish on our lacquered finish.