

RHBABY&CHILD

BEAUMONT DRESSER - ASSEMBLY INSTRUCTIONS

IMPORTANT SAFETY INSTRUCTIONS

1. Please read all instructions carefully before assembling.
2. For your safety, assembly by two or more adults is strongly recommended.
3. Keep instructions for future use.
4. Use only vendor-supplied hardware to assemble. Using unauthorized hardware could jeopardize the structural integrity of the item.

ASSEMBLY INSTRUCTIONS

1. Pull out the drawer. Attach the handle (1) with the iron ring (2) to the drawer front panel by using Phillips head bolt (3), as illustrated in FIGURE 1.
2. Repeat above step to attach the handles to all the other drawers.

NOTE: DO NOT LET ALL THE DRAWERS OPENING IN THE SAME TIME.

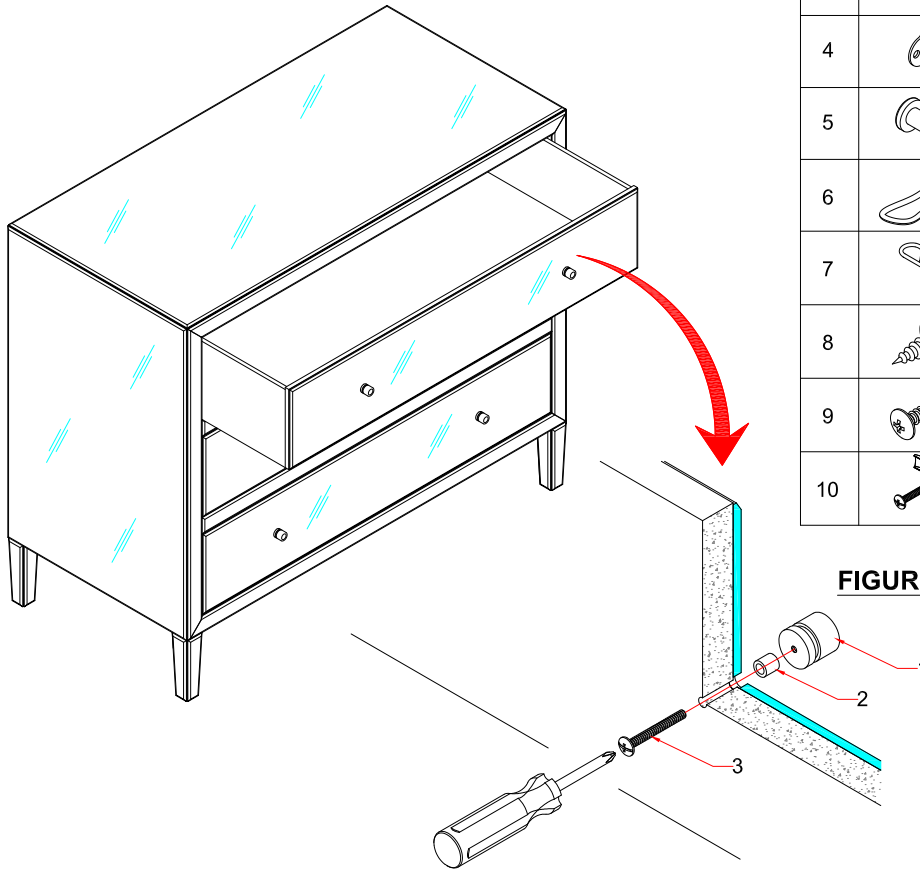
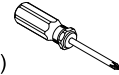


FIGURE 1

TOOLS NEEDED

Phillips Screwdriver (not included)



HARDWARE INCLUDED

NO.	ITEM	DESCRIPTION	QTY.
1		Handle	6 pcs.
2		Iron Ring	6 pcs.
3		Phillips Head Bolt	6 pcs.
4		Metal Bracket	2 pcs.
5		Clevis Pin	2 pcs.
6		Steel Aircraft Cable	1 pc.
7		Hair Pin	2 pcs.
8		Short Screw	2 pcs.
9		Long Screw	2 pcs.
10		Toggle Bolt	2 sets

ASSEMBLY INSTRUCTIONS BY WALL TYPE :

- DRYWALL WITH STUDS: Use screws to affix to drywall with studs. See FIGURE A.
- DRYWALL WITHOUT STUDS: Use toggle bolt and screws to affix to drywall. See FIGURE B.

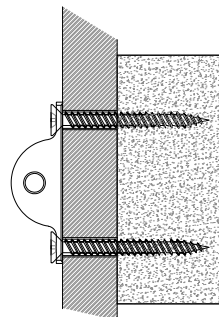


FIGURE A

DRYWALL WITH STUDS

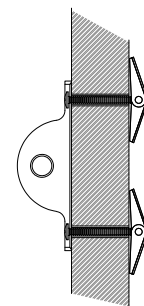


FIGURE B

DRYWALL WITHOUT STUDS

RH BABY & CHILD

BEAUMONT DRESSER - ASSEMBLY INSTRUCTIONS

FURNITURE-TIPPING RESTRAINT INSTRUCTIONS

Young children may be injured by tipping furniture. The use of a tipping restraint is highly recommended.

When properly installed, this restraint could provide protection against the unexpected tipping of furniture due to small tremors, bumps or climbing. We recommend mounting this restraint to a wall stud.

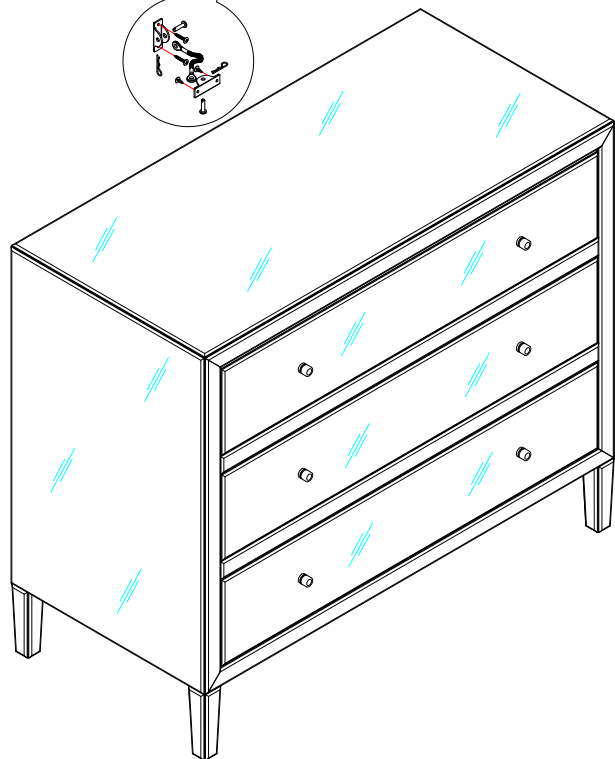
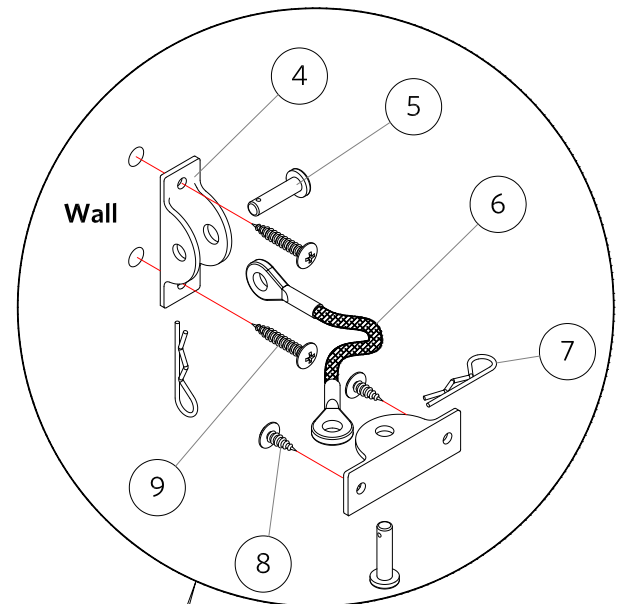
WARNING: This product is only a deterrent. It is not a substitute for proper adult supervision.

ANTI-TIP KIT INSTALLATION INSTRUCTIONS

⚠ WARNING: Always mount metal brackets to solid wood of furniture. Do not attach to plywood or back panels.

ATTACH THE ANTI-TIP KIT TO A WALL STUD IF POSSIBLE OR HAVE A PROFESSIONAL ATTACH THE KIT TO MASONRY OR A CONCRETE WALL.

1. Attach mounting brackets (4) near the middle-top back edge of the furniture piece by inserting the shorter screws (8).
2. Determine the final position of the furniture piece. Mark locations on the wall approximately 2" below the brackets mounted to the back of the furniture.
3. Attach the second brackets to stud wall by inserting the longer screw (9) (see Figure A) or toggle bolt (10) through the drywall (see Figure B).
4. Place the furniture so that the brackets on the back edge are in line with the brackets in the wall.
5. Insert the clevis pin (5) through holes on brackets and hole on steel aircraft cable (6). Use hair pin (7) to go through small hole on clevis pin (5) to lock it.
6. Repeat above step to attach the end of aircraft cable (6) to the bracket on the wall.
7. Check to make sure the steel aircraft cable is securely laced and locked to the brackets.



CARE INSTRUCTIONS

1. Dust often using a clean, soft, dry, lint-free cloth.
2. Blot spills immediately and wipe with a clean, damp cloth.
3. We do not recommend the use of chemical cleansers, abrasives or furniture polish as they may damage the finish.