



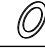


# RHTEEN

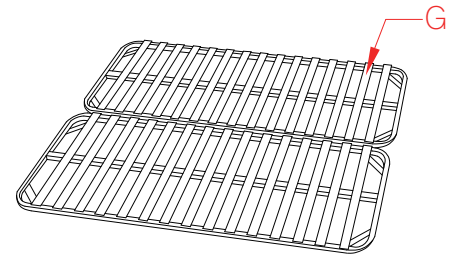
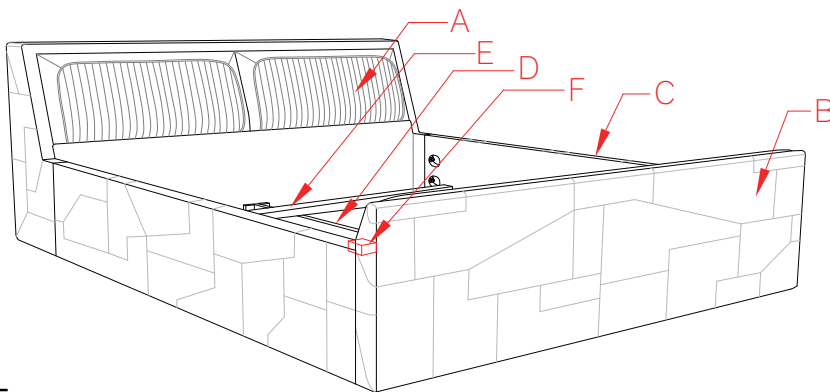
## AVIATOR STORAGE BED INSTRUCTIONS

### PARTS INCLUDED

- A [1] HEADBOARD
- B [1] FOOTBOARD
- C [2] SIDE RAIL
- D [1] CENTER SUPPORT BAR
- E [3] CROSS RAIL
- F [1] SUPPORT SHORT LEG
- G [2] SLAT ROLL

### TOOLS NEEDED

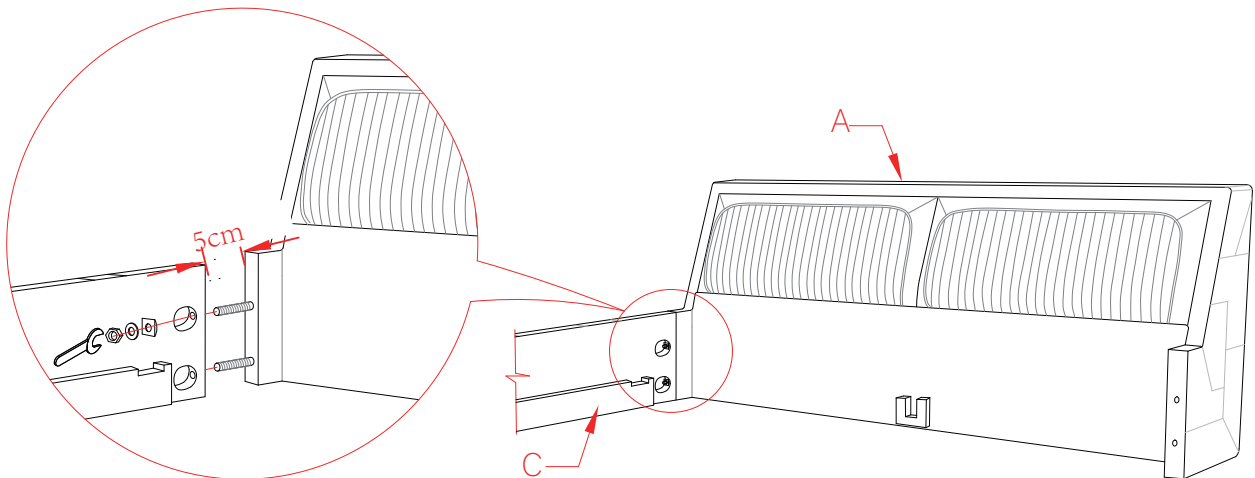
NO.	ITEM	DESCRIPTION	QTY.
1		Bolts	8 pcs.
2		Washer	8 pcs.
3		Flat Washer	8 pcs.
4		Nuts	8 pcs.
5		Wrench	1 pc.



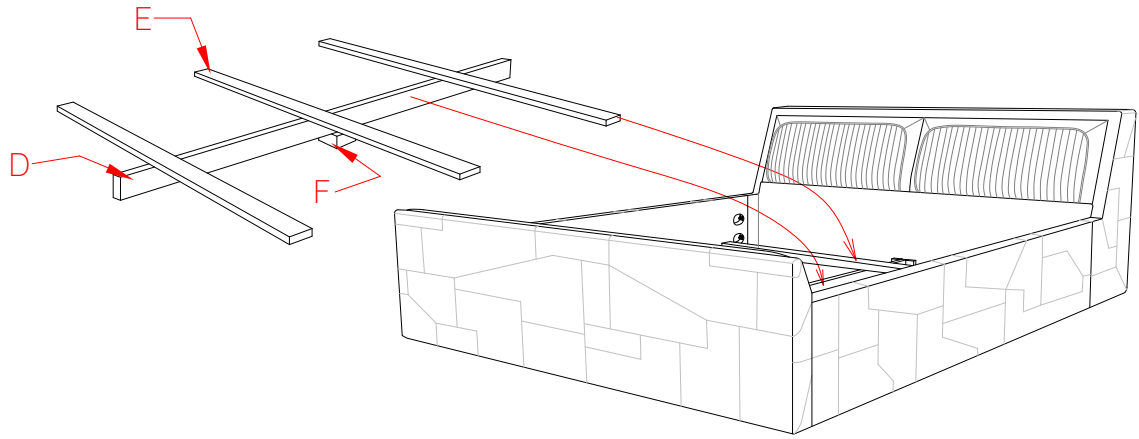
### NOTE

- Bed must be assembled by at least two people.
- Please read instructions carefully before assembling bed.
- Use the above parts and fittings list to identify each component.
- Keep all packing materials until assembly is completed to avoid loss of smaller parts.

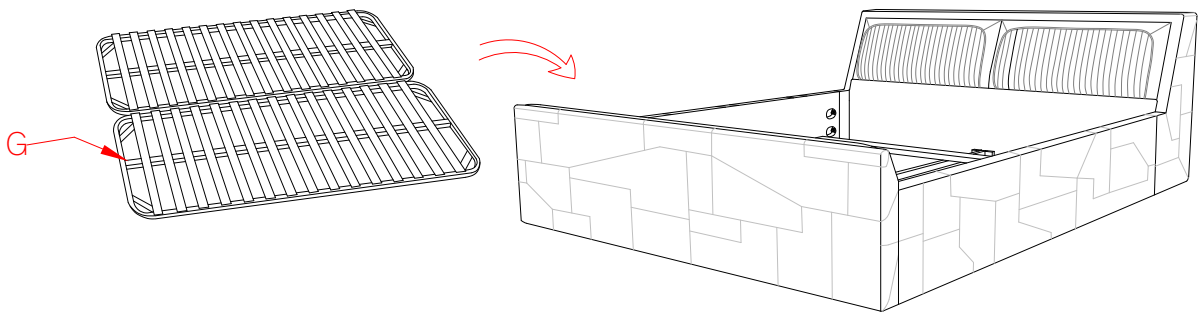
### ASSEMBLY INSTRUCTIONS



1. Place the headboard (A) on a protective surface to prevent damage.
2. Insert the connecting bolts (1) into the threaded holes in the headboard (A), making sure these extend out of the headboard by 2in.
3. Align the holes on the end of the side rails (C) with the headboard connection bolts (1) and attach side rails to headboard (A).
4. Affix the washer (2), flat washer (3) and nut (4) onto the connection bolt and tighten nut with the wrench (5) as seen in the diagram.
5. Repeat this step to attach the other side rail (C) to headboard (A).
6. To attach the footboard (B), please repeat the above assembly procedure.



7. Locate support short leg (F) at the center of center support bar (D).
8. Turn the thread rod on top of support short leg (F) into the thread hole on center of center support bar (D).
9. Insert the center support bar (D) into the extra space U-Shaped wooden blocks of the headboard (A) and footboard (B).
10. Insert the cross rail (E) into the notched grooves along the inside of the side rail (C).



11. Place the slat roll (G) on top of the cross rail (E).
12. Assembly is complete.

### CARE INSTRUCTIONS

1. Avoid placing your leather product in direct sunlight. All leather will fade over time. Darker colors may fade dramatically in direct sunlight. Keep your leather product looking new by wiping clean using a soft, dry cloth when needed. Over the counter cleaning products are not recommended. Professionally clean by a leather specialist only.
2. Wipe up spills immediately using a clean dry cloth. Avoid use of steel wool or scouring pads. We suggest use Brasso to clean the stain mark. Do not use bleach or any detergent containing sulphuric or hydrochloric acid.

### IMPORTANT SAFETY INSTRUCTIONS

1. Exercise care and precaution when moving furniture as careless handling may cause injury and damage.
2. Never drag furniture. Always lift it.
3. Periodically check all fixtures to ensure none have come loose.
4. Re-tighten as and when necessary. Incorrect assembly of furniture can be dangerous.
5. Assembly should be carried out by competent people.
6. No liability will be accepted for damage or injury caused by incorrect assembled furniture.
7. Heavy item warning.
8. Take care and seek assistance when lifting heavy furniture to avoid personal injury and or damage to product.