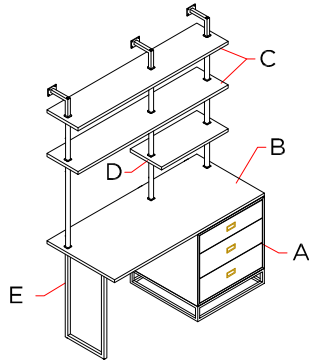


# RH TEEN

## AVALON SINGLE DESK WITH SHELVING

### PARTS INCLUDED

- A [1] CABINET
- B [1] LARGE SHELF
- C [2] MEDIUM SHELVES
- D [1] SMALL SHELF
- E [1] LEG FRAME



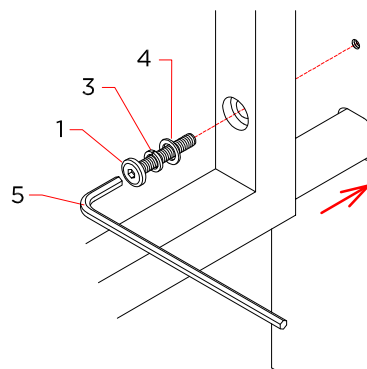
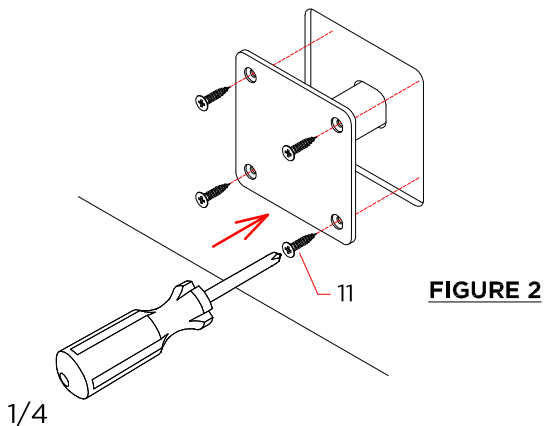
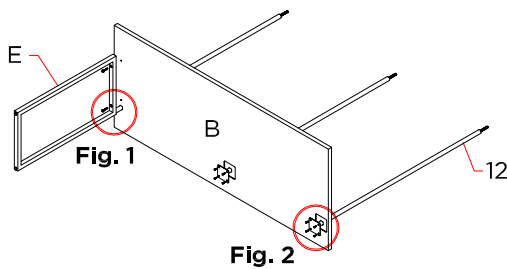
### ASSEMBLY INSTRUCTIONS

1. Insert the leg frame (E) through the large shelf (B). Install Allen bolts (1) together with lock washers (3) and plain washers (4) to fix the leg frame to the large shelf. See FIGURE 1.
2. Attach the metal rods (12) to the large shelf (B) by using screws (11) as per illustration in FIGURE 2.
3. Insert top post of the leg frame (E) and the metal rods (12) through the medium and small shelves (C, D), shelf posts (13, 14) and the support arms (15). Use the longest Allen bolts (7) together with lock washers (8) and plain washers (9) to secure top post of leg frame (E) and metal rods (12) to support arms. see FIGURE 3.

**NOTE:** There is a hole on each shelf post (13/14) designed for bolt to pass through to fix shelf post to top post of the leg frame (E) or to the metal rod (12). MAKE SURE THESE HOLES ARE ON THE SAME SIDE AS THE SUPPORT ARMS.

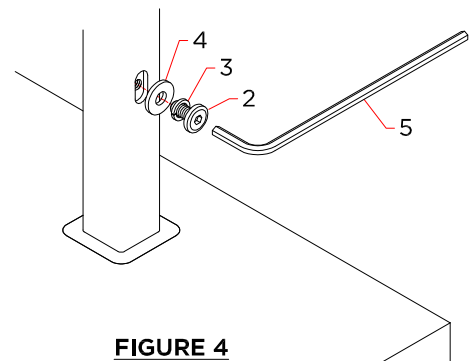
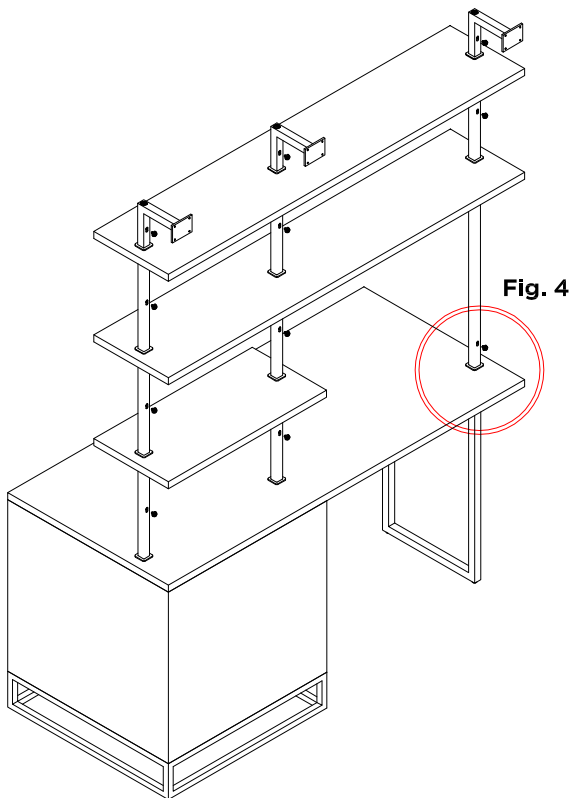
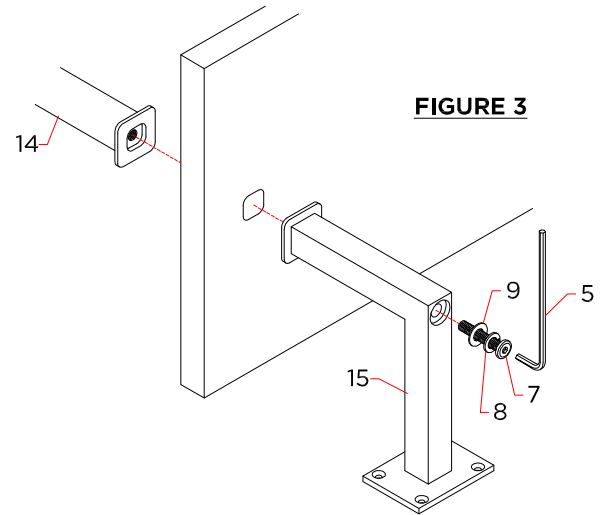
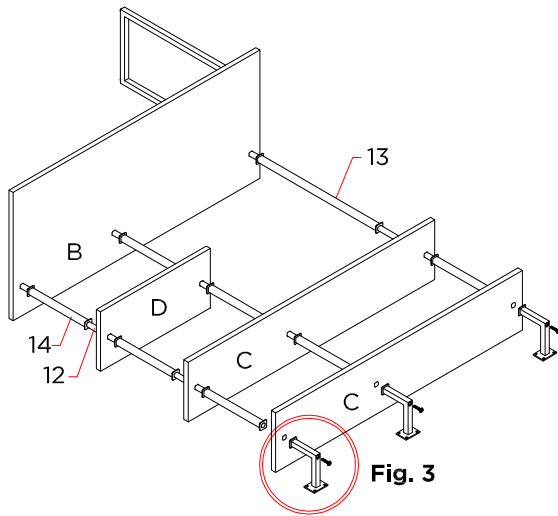
4. Turn the assembled shelf frame into an upright position and place it on top of the cabinet (A).

NO.	ITEM	DESCRIPTION	QTY.
1		Allen Bolt (M6 x 34mm)	2 pcs.
2		Allen Bolt (M6 x 13mm)	12 pcs.
3		Lock Washer (M6)	14 pcs.
4		Plain Washer (M6)	14 pcs.
5		Allen Key	1 pc.
6		Metal bracket	2 pcs.
7		Allen Bolt (M10 x 40mm)	3 pcs.
8		Lock Washer (M10)	3 pcs.
9		Plain Washer (M10)	3 pcs.
10		Mending Plate	2 pcs.
11		Screw (M4 x 15mm)	24 pcs.
12		Metal Rod	2 pcs.
13		Long Post	1 pc.
14		Short Post	7 pcs.
15		Support Arm	3 pcs.
16		Hollow Wall Anchor	12 pcs.
17		Plastic Anchor	12 pcs.
18		Screw (M4 x 40mm)	12 pcs.



# RH TEEN

## AVALON SINGLE DESK WITH SHELVING



5. Insert the short Allen bolt (2) together with lock washer (3) and plain washer (4) into each hole noted in step 3 then tighten it by using Allen key (5). See FIGURE 4.
6. Adjust the assembled shelf frame to make sure right side and back side of the large shelf (B) are aligned with right side and back side of the cabinet (A). Attach the mending plates (10) and the metal brackets (6) to secure the cabinet to the large shelf panel. See FIGURE 5 and FIGURE 6.
7. Preset the furniture against the wall, at the position you wish it to be in when fully assembled. There are holes on the brackets of the support arms (15) designed for screws to pass through to mount the support arms to the wall. Use a pencil to mark position of each hole on the wall. Move the furniture backwards the wall, towards approximately 20" from the wall.

# RH TEEN

## AVALON SINGLE DESK WITH SHELVING

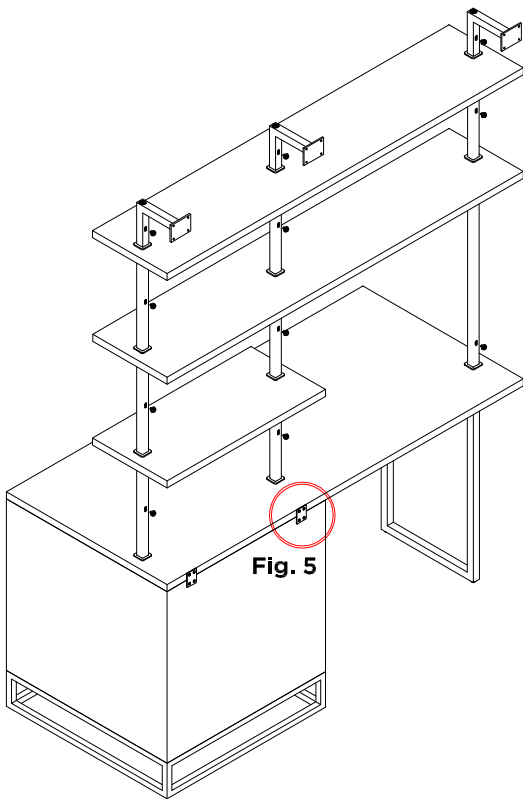


Fig. 5

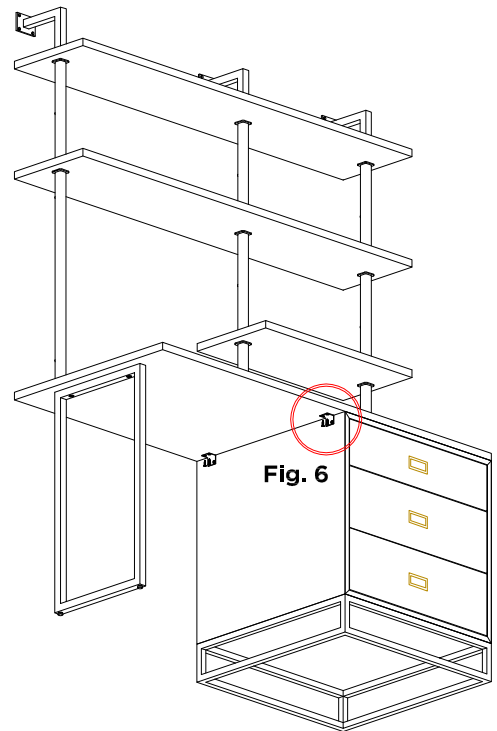


Fig. 6

FIGURE 5

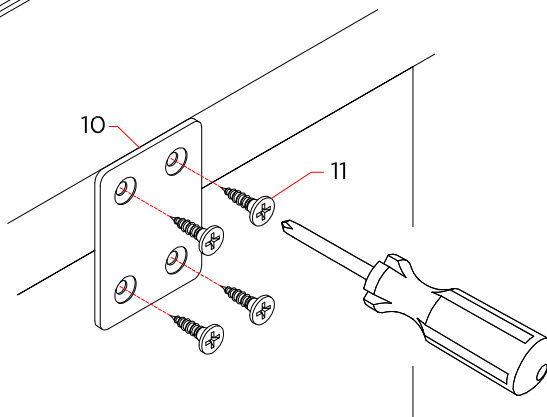
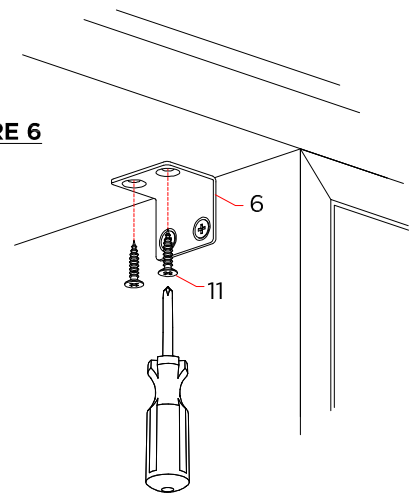


FIGURE 6



### 8. SUPPORT ARMS TO THE WALL MOUNTING BY WALL TYPE

- \* **CONCRETE WALL:** drill pilot hole ( $\varnothing 8\text{mm}$ ) into each mark and then insert plastic anchor (17). Move the furniture toward the wall. Use a screwdriver to attach the metal bracket of the support arm (15) to the wall with screws (18). FIGURE 7-A.
- \* **DRYWALL WITH STUDS:** drill a pilot hole ( $\varnothing 2\text{mm}$ ) into each mark. Use screws (18) to affix to studs. FIGURE 7-B.
- \* **DRYWALL WITHOUT STUDS:** use hollow wall anchors and screws (16) to affix to drywall. FIGURE 7-C.

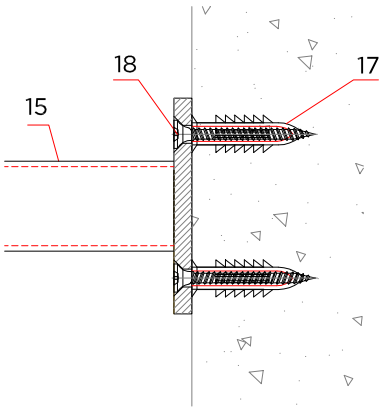
#### HOLLOW WALL ANCHORS INSTALLATION:

- Drill a hole ( $\varnothing 7\text{mm}$ ) into each mark and then tap anchor into hole until flush with surface.
- Tighten the screws into the anchors while maintaining constant pressure on the anchor to set. Remove screws. Move the furniture toward the wall and reinstall screws through holes on brackets of the support arms (15) and tighten until snug against the wall.

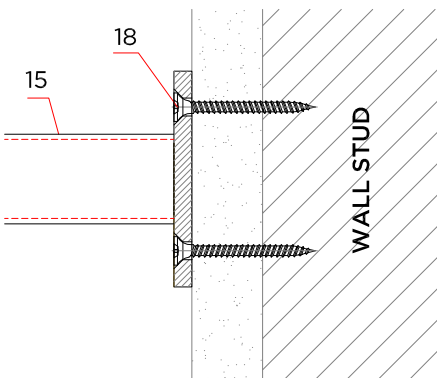
# RH TEEN

## AVALON SINGLE DESK WITH SHELVING

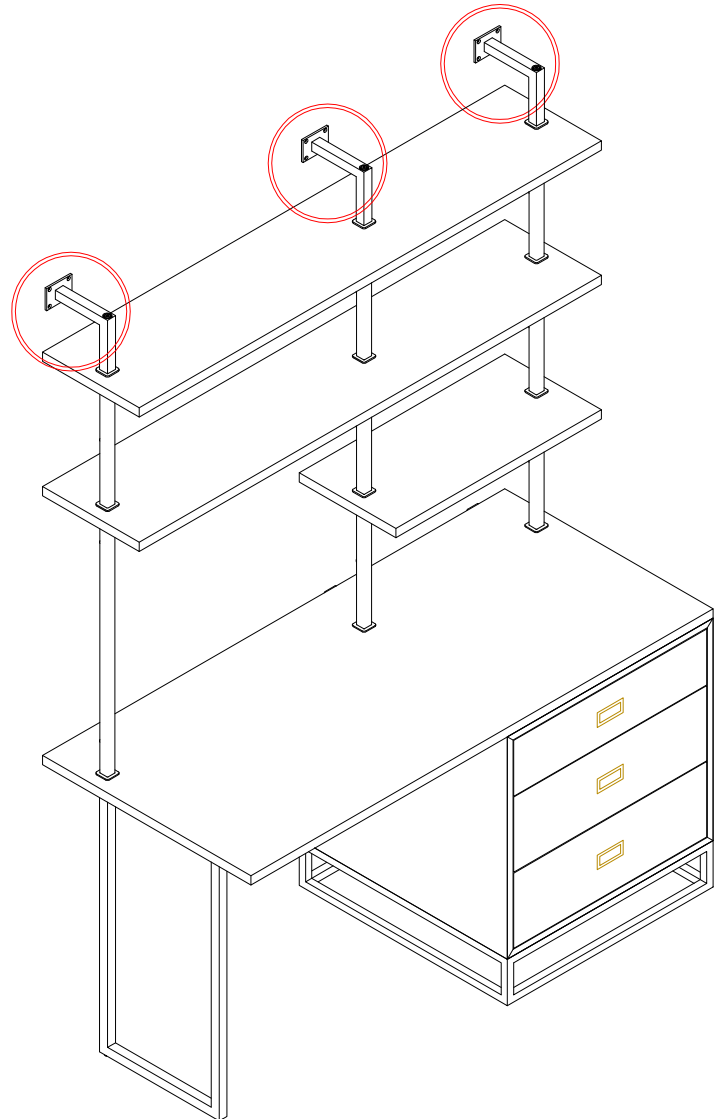
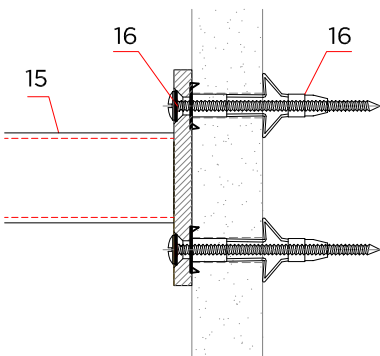
**FIGURE 7-A**  
CONCRETE WALL



**FIGURE 7-B**  
DRY WALL W/ STUDS



**FIGURE 7-C**  
DRY WALL W/O STUDS



### CARE INSTRUCTIONS

1. Dust often using a clean, soft, dry and lint-free cloth.
2. Blot spills immediately and wipe with a clean, damp, cloth.
3. We do not recommend the use of chemical cleansers, abrasives or furniture polish on our lacquered finish.

### IMPORTANT SAFETY INSTRUCTIONS

1. Please read all instructions carefully before assembling.
2. For your safety, assembly by two or more adults is strongly recommended.
3. Keep instructions for future use.
4. Use only vendor supplied hardware to assemble. Using unauthorized hardware could jeopardize the structural integrity of the item.