

RH TEEN

AVALON DOUBLE SHELVING

PARTS INCLUDED









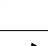
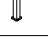

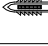
- A [5] SHELF PANELS
B [3] METAL LEGS

ASSEMBLY INSTRUCTIONS

1. Insert the metal legs (B) through all the shelf panels (A), shelf posts (8) and the support arms (9). Insert the long Allen bolts (5) together with lock washers (6) and plain washers (7) to secure top posts of metal legs (B) to support arms (9). See FIGURE 1.

NOTE: there is a hole on each shelf post (8) designed for the bolt to pass through to secure the shelf post to top post of the metal leg (B). ALL THESE HOLES MUST BE ON THE SAME SIDE AS THE SIMILAR HOLES ON THE SUPPORT ARMS (9).

2. Insert Allen bolts (1) together with lock washers (2) and plain washers (3) into the holes noted in step 1 to secure the shelf posts (8) and the support arms (9) to top posts of the metal legs (B). Tighten these bolts by using Allen key (4). See FIGURE 2.

NO.	ITEM	DESCRIPTION	QTY.
1		Allen Bolt (M6 x 13mm)	15 pcs.
2		Lock Washer (M6)	15 pcs.
3		Plain Washer (M6)	15 pcs.
4		Allen Key	1 pc.
5		Allen Bolt (M10 x 40mm)	3 pcs.
6		Lock Washer (M10)	3 pcs.
7		Plain Washer (M10)	3 pcs.
8		Shelf Post	12 pcs.
9		Support Arm	3 pcs.
10		Hollow Wall Anchor	12 pcs.
11		Plastic Anchor	12 pcs.
12		Screw (M4 x 40mm)	12 pcs.

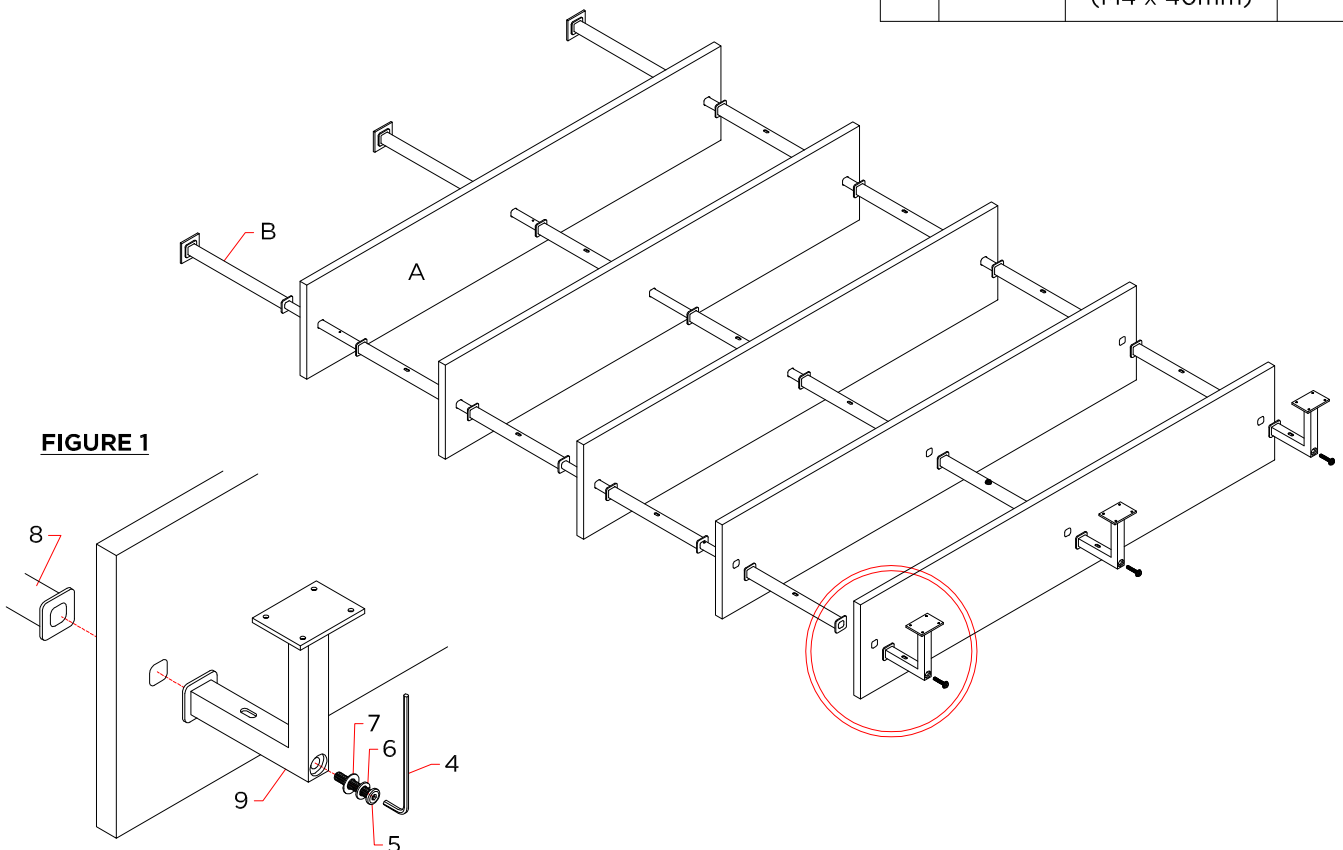
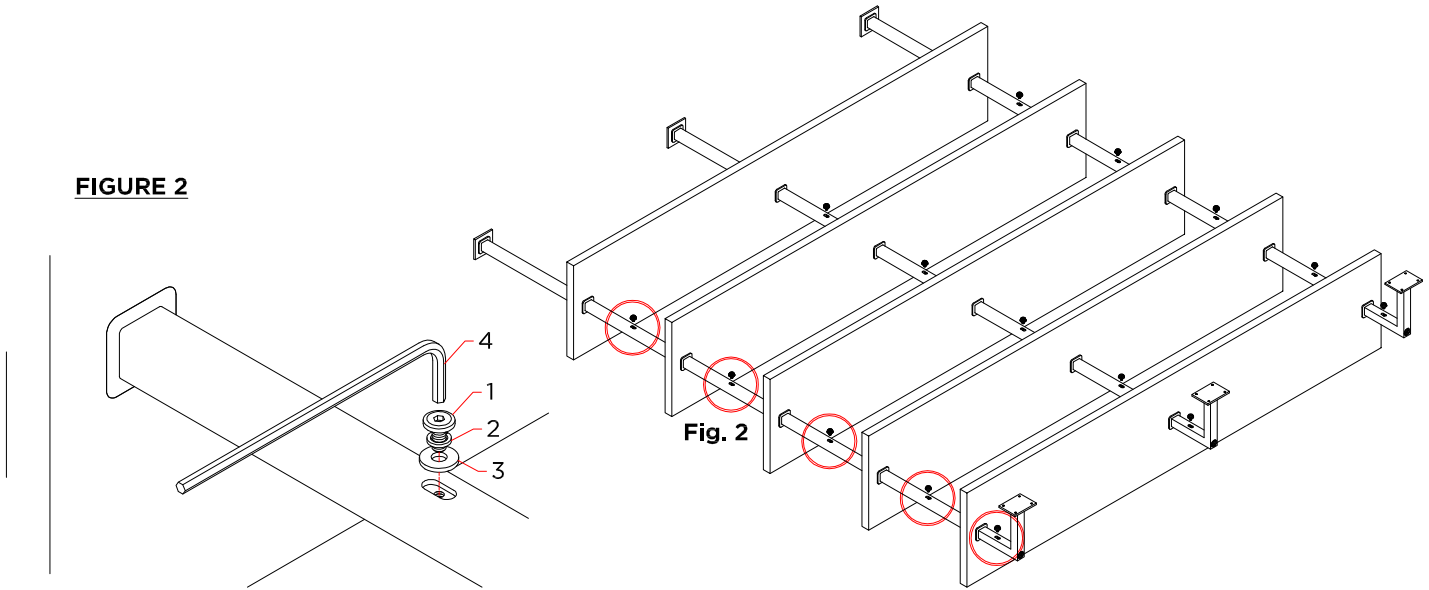


FIGURE 1

RH TEEN

AVALON DOUBLE SHELVING

FIGURE 2



3. Turn the assembled bookcase into an upright position and preset it against the wall, at the location you wish the bookcase to be in when fully assembled.
4. There are holes on bracket of the support arm (9) designed for screws to pass through to mount the support arm to the wall. Use a pencil to mark location of these holes on the wall. Remove the bookcase.

5. SUPPORT ARMS TO THE WALL MOUNTING BY WALL TYPE

- * **CONCRETE WALL:** drill pilot hole ($\varnothing 8\text{mm}$) into each mark and then insert plastic anchor (11). Reset the bookcase against the wall. Use a screwdriver to attach metal bracket of the support arm (9) to the wall with screws (12). See FIGURE 3-A.
- * **DRYWALL WITH STUDS:** drill a pilot hole ($\varnothing 2\text{mm}$) into each mark. Use screws (12) to affix to studs. See FIGURE 3-B.
- * **DRYWALL WITHOUT STUDS:** use hollow wall anchors and screws (10) to affix to drywall. See FIGURE 3-C.

HOLLOW WALL ANCHORS INSTALLATION:

- a. Drill a hole ($\varnothing 7\text{mm}$) into each mark and then tap anchor into hole until flush with surface.
- b. Tighten the screws into the anchors while maintaining constant pressure on the anchor to set. Remove screws. Reset the bookcase against the wall and reinstall screws through the holes on brackets of the support arms (9) and tighten until snug against the wall.

FIGURE 3-A
CONCRETE WALL

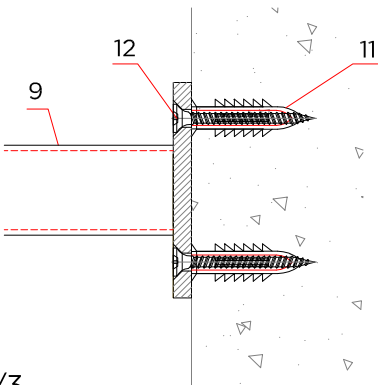


FIGURE 3-B
DRY WALL W/ STUDS

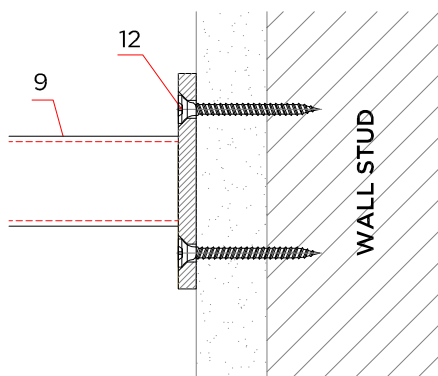
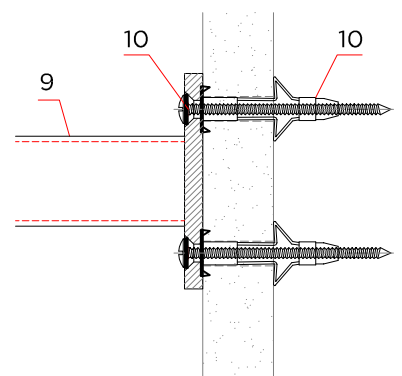


FIGURE 3-C
DRY WALL W/O STUDS



RH TEEN

AVALON DOUBLE SHELVING

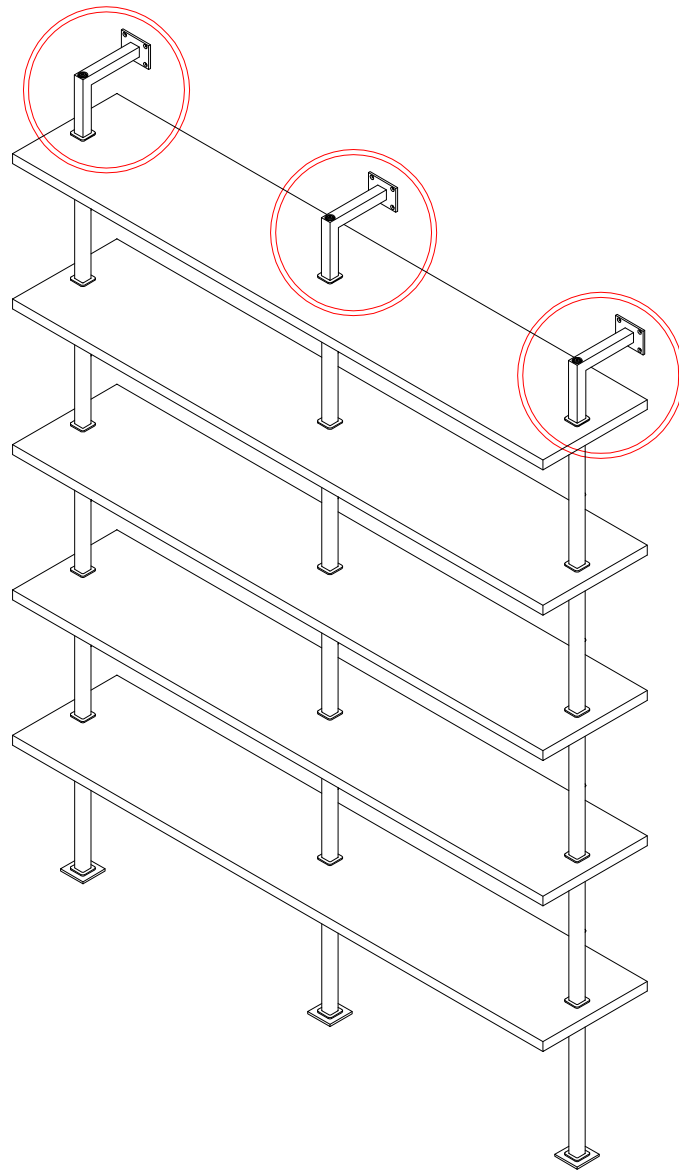


Fig. 3

CARE INSTRUCTIONS

1. Dust often using a clean, soft, dry and lint-free cloth.
2. Blot spills immediately and wipe with a clean, damp, cloth.
3. We do not recommend the use of chemical cleansers, abrasives or furniture polish on our lacquered finish.

IMPORTANT SAFETY INSTRUCTIONS

1. Please read all instructions carefully before assembling.
2. For your safety, assembly by two or more adults is strongly recommended.
3. Keep instructions for future use.
4. Use only vendor supplied hardware to assemble. Using unauthorized hardware could jeopardize the structural integrity of the item.