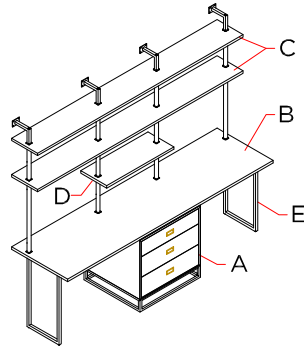


# RH TEEN

## AVALON DOUBLE DESK STUDY WALL WITH DRAWERS

### PARTS INCLUDED

- A [1] CABINET
- B [1] LARGE SHELF
- C [2] MEDIUM SHELVES
- D [1] SMALL SHELF
- E [2] LEG FRAMES



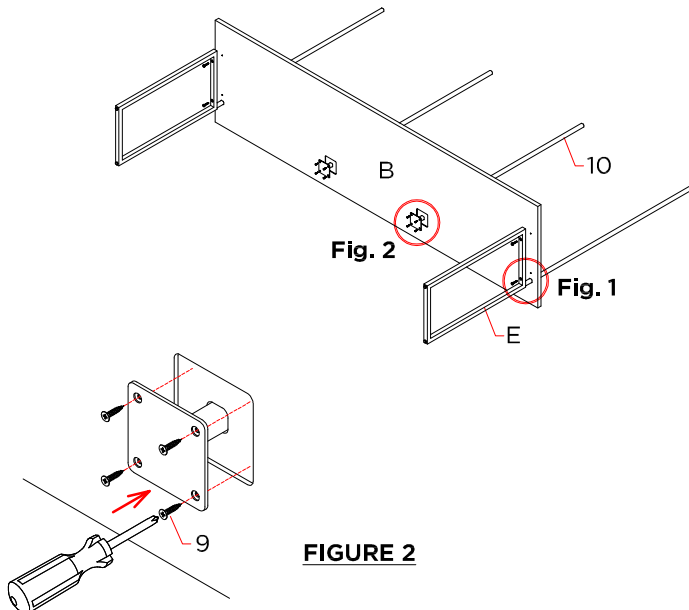
### ASSEMBLY INSTRUCTIONS

1. Insert the leg frames (E) through the large shelf (B). Install Allen bolts (1) together with lock washers (3) and plain washers (4) to fix the leg frames to the large shelf. See FIGURE 1.
2. Attach the metal rods (10) to the large shelf (B) by using screws (9) as per illustration in FIGURE 2.
3. Insert the top posts of the leg frames (E) and the metal rods (10) through the medium and small shelves (C, D), shelf posts (11, 12) and the support arms (13). Insert the longest Allen bolts (5) together with lock washers (6) and plain washers (7) to secure the top posts of the leg frames and the metal rods to the support arms. see FIGURE 3.

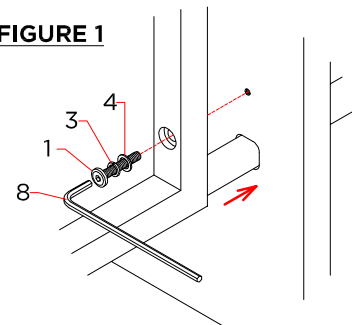
**NOTE:** Each shelf post (11/12) has a hole designed for the bolt to pass through to fix shelf post to top post of metal leg or to metal rod. **MAKE SURE THESE HOLES ARE ON THE SAME SIDE AS THE SUPPORT ARMS.**

4. Turn the assembled shelf frame into an upright position.

NO.	ITEM	DESCRIPTION	QTY.
1		Allen Bolt (M6 x 34mm)	4 pcs.
2		Allen Bolt (M6 x 13mm)	16 pcs.
3		Lock Washer (M6)	20 pcs.
4		Plain Washer (M6)	20 pcs.
5		Allen Bolt (M10 x 40mm)	4 pcs.
6		Lock Washer (M10)	4 pcs.
7		Plain Washer (M10)	4 pcs.
8		Allen Wrench	1 pc.
9		Screw (M4 x 15mm)	24 pcs.
10		Metal Rod	2 pcs.
11		Long Post	2 pcs.
12		Short Post	8 pcs.
13		Support Arm	4 pcs.
14		Hollow Wall Anchor	16 pcs.
15		Plastic Anchor	16 pcs.
16		Screw (M4 x 40mm)	16 pcs.
17		Metal bracket	4 pcs.



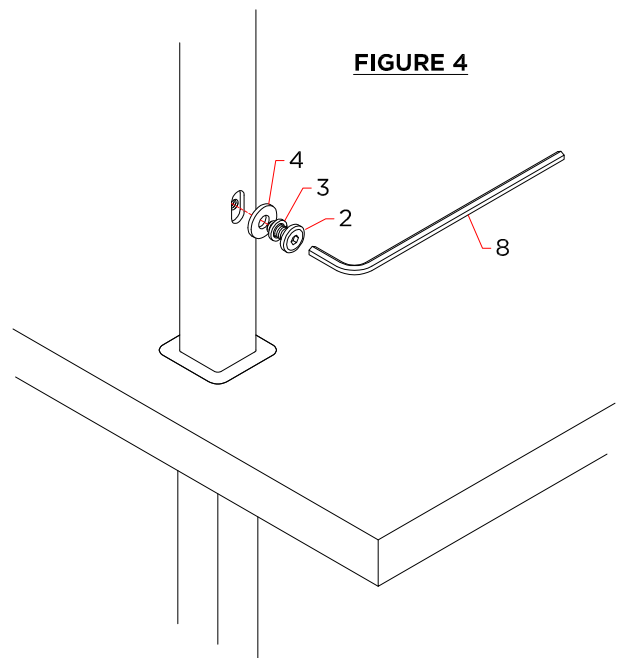
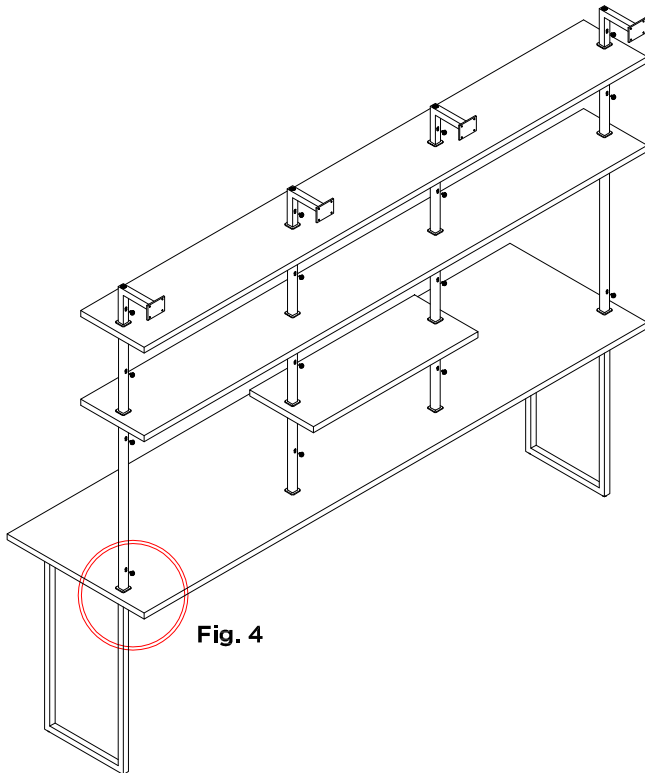
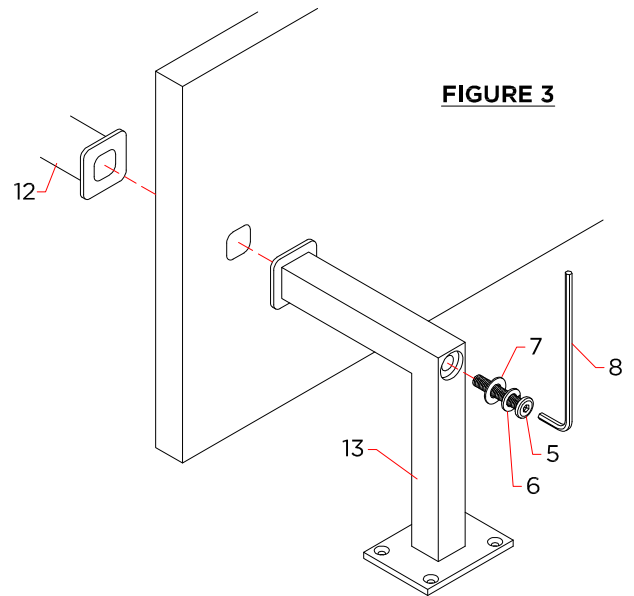
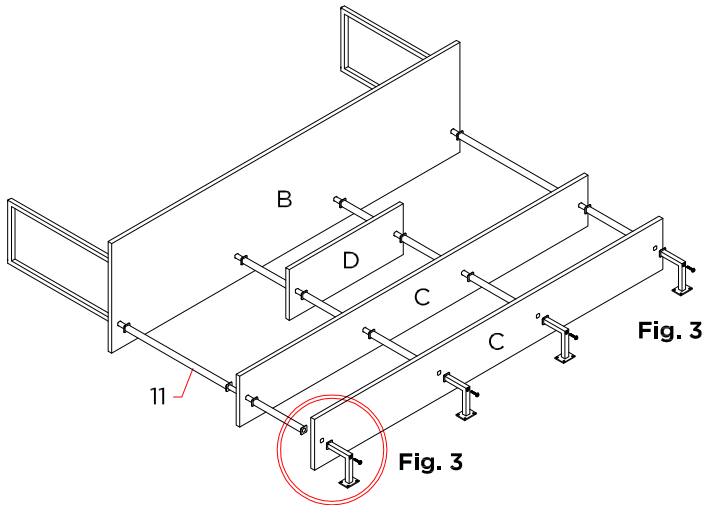
**FIGURE 1**



**FIGURE 2**

# RH TEEN

## AVALON DOUBLE DESK STUDY WALL WITH DRAWERS



5. Insert the short Allen bolt (2) together with lock washer (3) and plain washer (4) into each hole noted in step 3, then tighten it by using Allen wrench (8). See FIGURE 4.
6. Preset the cabinet (A) against the wall, in the position you wish the furniture piece to be in when fully assembled. Gently put the assembled shelf frame on top of the cabinet. Adjust the shelf frame to make sure the cabinet is centered correctly.
7. There are holes on the bracket of the support arm (13) designed for the screws to pass through to mount the support arm to the wall. Use a pencil to mark position of each hole on the wall. Move the assembled shelf (without the cabinet) backwards the wall, towards approximately 20" from the wall.

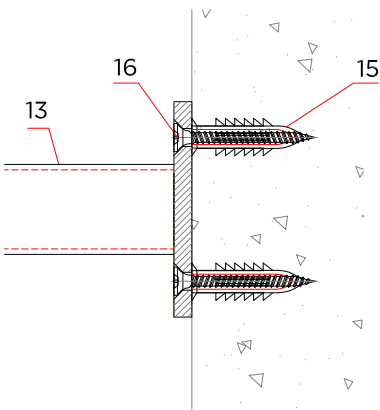
# RH TEEN

## AVALON DOUBLE DESK STUDY WALL WITH DRAWERS

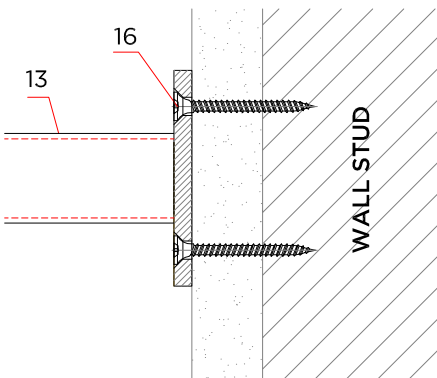
### 8. SUPPORT ARMS TO THE WALL MOUNTING BY WALL TYPE

- \* CONCRETE WALL: drill pilot hole (Ø8mm) into each mark and then insert plastic anchor (15). Move the assembled shelf toward the wall. Use a screwdriver to attach the metal bracket of the support arm (13) to the wall with screws (16). FIGURE 5-A.
- \* DRYWALL WITH STUDS: drill a pilot hole (Ø2mm) into each mark. Use screws (16) to affix to studs. FIGURE 5-B.
- \* DRYWALL WITHOUT STUDS: use hollow wall anchors and screws (14) to affix to drywall. FIGURE 5-C.

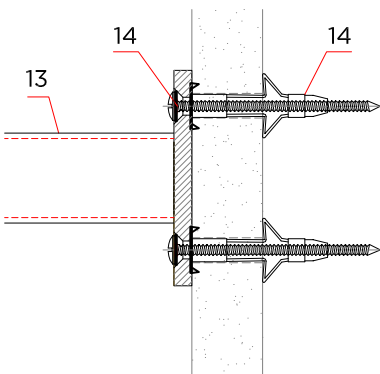
**FIGURE 5-A**  
**CONCRETE WALL**



**FIGURE 5-B**  
**DRY WALL W/ STUDS**

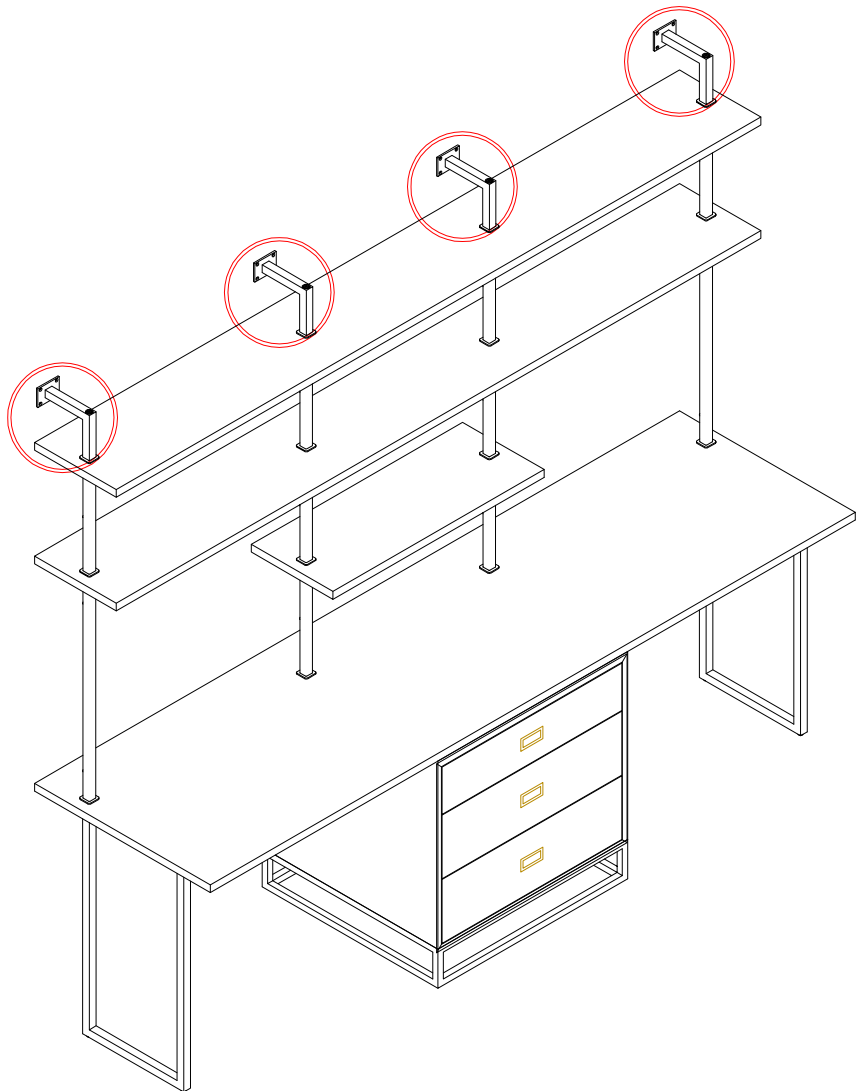


**FIGURE 5-C**  
**DRY WALL W/O STUDS**



### HOLLOW WALL ANCHORS INSTALLATION:

- Drill a hole (Ø7mm) into each mark and then tap anchor into hole until flush with surface.
- Tighten the screws into the anchors while maintaining constant pressure on the anchor to set. Remove screws. Move the assembled shelf toward the wall and reinstall screws through the holes on the brackets of the support arms (13) and tighten until snug against the wall.



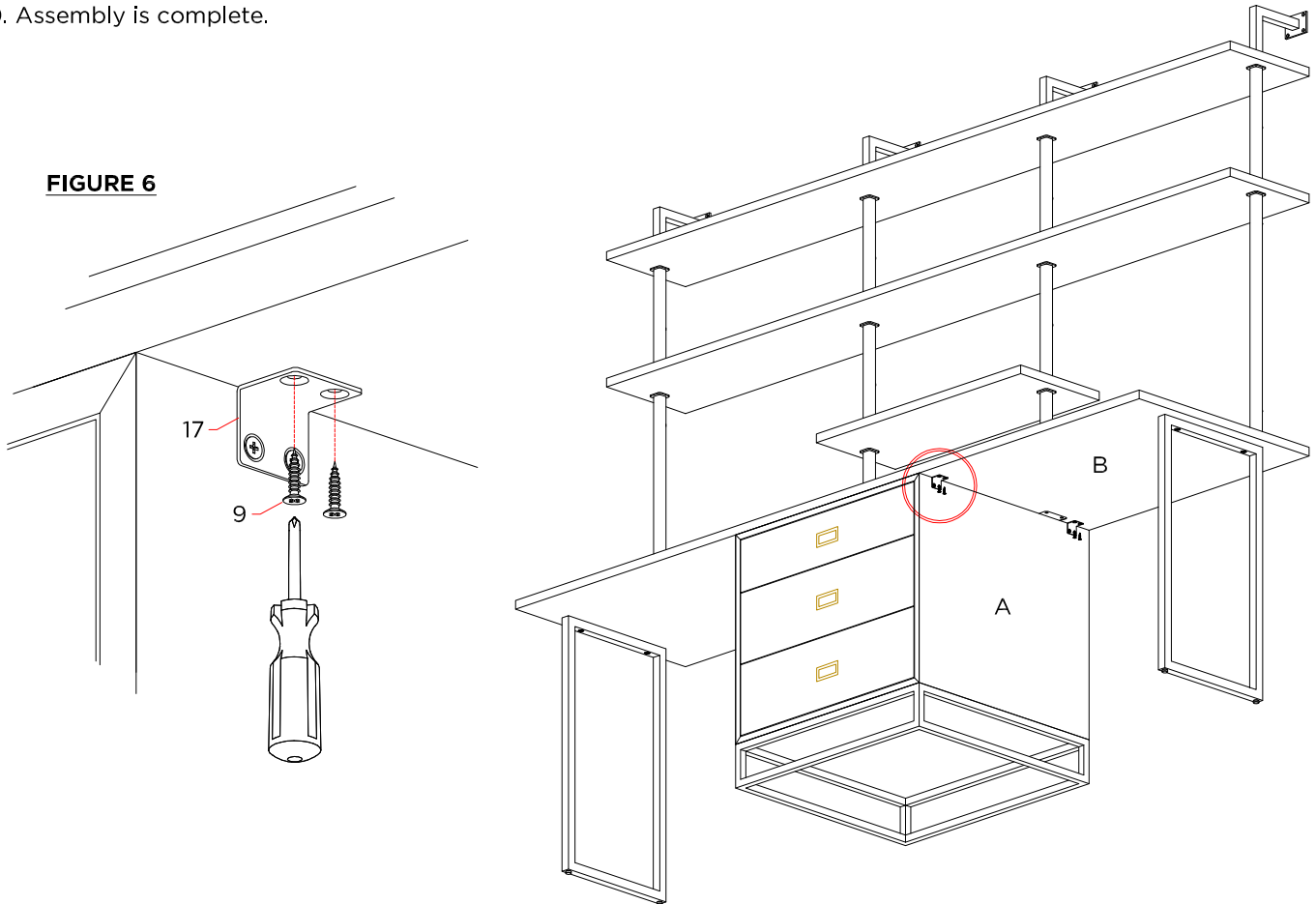
# RH TEEN

## AVALON DOUBLE DESK STUDY WALL WITH DRAWERS

9. Install the metal brackets (17) approximately 2" from front edge and 2" from back edge of the cabinet to fix the cabinet (A) to the large shelf (B). See FIGURE 6.

10. Assembly is complete.

**FIGURE 6**



### CARE INSTRUCTIONS

1. Dust often using a clean, soft, dry and lint-free cloth.
2. Blot spills immediately and wipe with a clean, damp, cloth.
3. We do not recommend the use of chemical cleansers, abrasives or furniture polish on our lacquered finish.

### IMPORTANT SAFETY INSTRUCTIONS

1. Please read all instructions carefully before assembling.
2. For your safety, assembly by two or more adults is strongly recommended.
3. Keep instructions for future use.
4. Use only vendor supplied hardware to assemble. Using unauthorized hardware could jeopardize the structural integrity of the item.