

RH BABY & CHILD

AVALON BOOKCASE TOWER - ASSEMBLY INSTRUCTIONS

PARTS INCLUDED

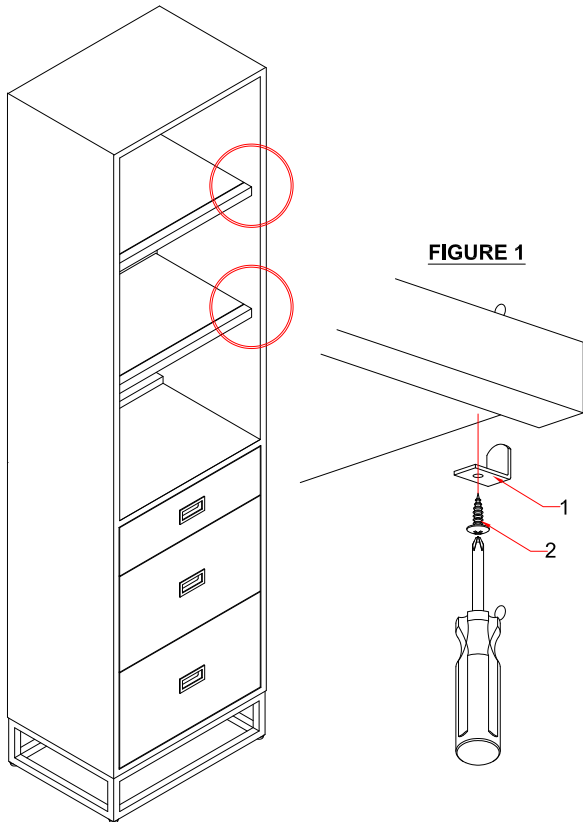
- A [1] BOOKCASE
- B [2] REMOVABLE SHELF PANELS

IMPORTANT SAFETY INSTRUCTIONS

1. Please read all instructions carefully before assembling.
2. For your safety, assembly by two or more adults is strongly recommended.
3. Keep instructions for future use.
4. Use only vendor-supplied hardware to assemble. Using unauthorized hardware could jeopardize the structural integrity of the item.

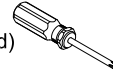
ASSEMBLY INSTRUCTIONS

Install the metal shelf holders (1). Set the removable shelf panels (B) on the shelf holders and fix them together by inserting screws (2). See FIGURE 1.



TOOLS NEEDED

Phillips-head Screwdriver (Not included)



HARDWARE INCLUDED

NO.	SKETCH	DESCRIPTION	SPECIFICATION	QTY.
1		Shelf Holder	31 x 13.5 x 17mm (Ø6mm)	8 pcs.
2		Round-head Screw	M4 x 15mm	8 pcs.
3		Metal Bracket	51.5 x 16.5 x 16.5mm (D2mm)	2 pcs.
4		Clevis Pin	Ø6 x 23mm	2 pcs.
5		Steel Aircraft Cable	1.6 x 162mm	1 pc.
6		Hair Pin	Ø2 x 30mm	2 pcs.
7		Round-head Screw	M4 x 15mm	2 pcs.
8		Round-head Screw	M4 x 38mm	2 pcs.
9		Toggle Bolt	M3 x 51mm	2 sets

ANTI-TIP BRACKET INSTALLATION BY WALL TYPE

- DRYWALL WITH STUDS: Use screws to affix to drywall with studs. See FIGURE A.
- DRYWALL WITHOUT STUDS: Use toggle bolt and screws to affix to drywall. See FIGURE B.

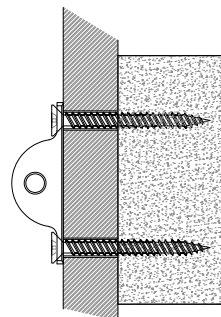


FIGURE A
DRYWALL WITH STUDS

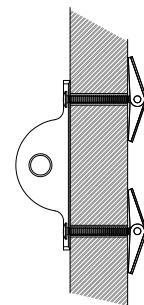


FIGURE B
DRYWALL WITHOUT STUDS

RH BABY & CHILD

AVALON BOOKCASE TOWER - ASSEMBLY INSTRUCTIONS

ANTI-TIPPING RESTRAINT INSTRUCTIONS

Young children may be injured by tipping furniture. The use of a tipping restraint is highly recommended.

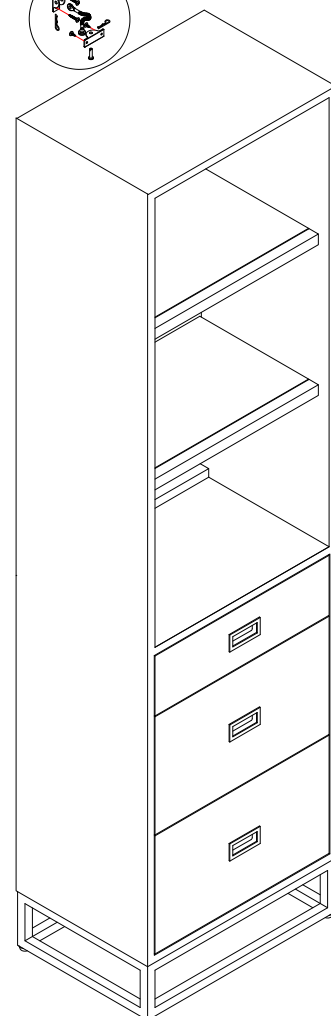
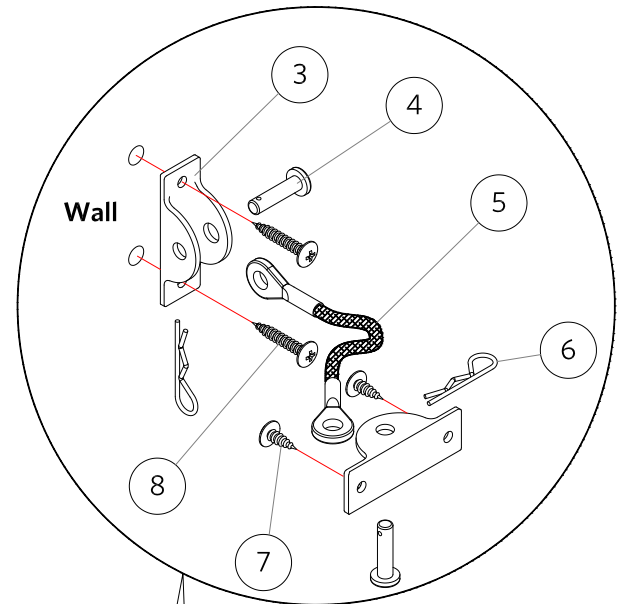
When properly installed, this restraint could provide protection against the unexpected tipping of furniture due to small tremors, bumps or climbing. We recommend mounting this restraint to a wall stud.

WARNING: This product is only a deterrent. It is not a substitute for proper adult supervision.

ANTI-TIP KIT INSTALLATION INSTRUCTIONS

⚠ WARNING: Always mount metal brackets to solid wood part of furniture. Do not attach to plywood or back panels. **ATTACH THE ANTI-TIP KIT TO A WALL STUD IF POSSIBLE, OR HAVE A PROFESSIONAL ATTACH THE KIT TO MASONRY OR A CONCRETE WALL.**

1. Attach a metal bracket (3) near the middle-top back edge of the furniture piece by inserting the short screws (7).
2. Determine the final position of the furniture piece. Mark a location on the wall approximately 2" below the bracket mounted to the back of the furniture.
3. Attach the second bracket to a stud on the wall by inserting the long screw (8) (see Figure A) or toggle bolt (9) through the drywall (see Figure B).
4. Place the furniture so that the bracket on the back edge aligns with the bracket on the wall.
5. Insert the clevis pin (4) through the holes on the bracket on the back of the furniture and the hole on the steel aircraft cable (5). Insert a hair pin (6) through the small hole on the clevis pin (4) to lock it.
6. Repeat above step to attach the other end of the aircraft cable (5) to the bracket on the wall.
7. Check to make sure the steel aircraft cable is securely laced and locked to the brackets.



CARE INSTRUCTIONS

1. Dust often using a clean, soft, dry and lint-free cloth.
2. Blot spills immediately and wipe with a clean, damp cloth.
3. Do not use chemical cleaners, abrasives or furniture polish, as they may damage the finish.