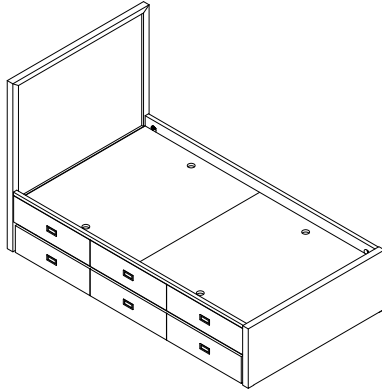







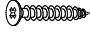
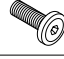


# RHTEEN

## AVALON TWIN AND FULL TRUNDLE BED INSTRUCTIONS

### PARTS INCLUDED

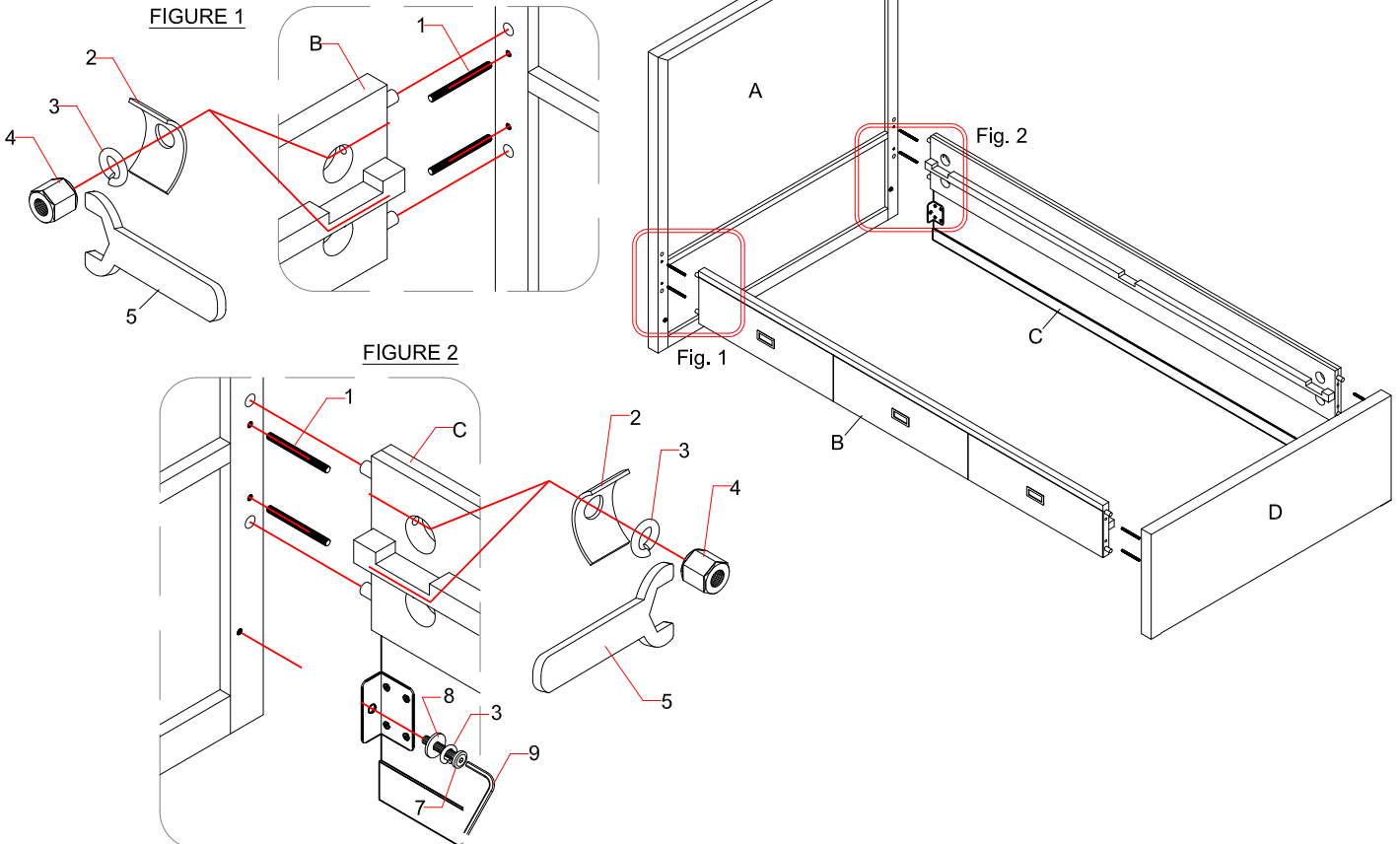
- A [1] HEADBOARD
- B [1] SIDE RAIL #1
- C [1] SIDE RAIL #2
- D [1] FOOTBOARD
- E [3] BED SLATS
- F [2] COVER PANELS
- G [1] TRUNDLE



NO.	ITEM	DESCRIPTION	QTY.
1		Threaded Rod	8 pcs.
2		Curved Washer	8 pcs.
3		Lock Washer	8 pcs.
4		Hex Nut	8 pcs.
5		Wrench	1 pc
6		Screw	6 pcs.
7		Allen Bolt	2 pcs.
8		Flat washer	2 pcs.
9		Allen Wrench	1 pc.

### ASSEMBLY INSTRUCTIONS

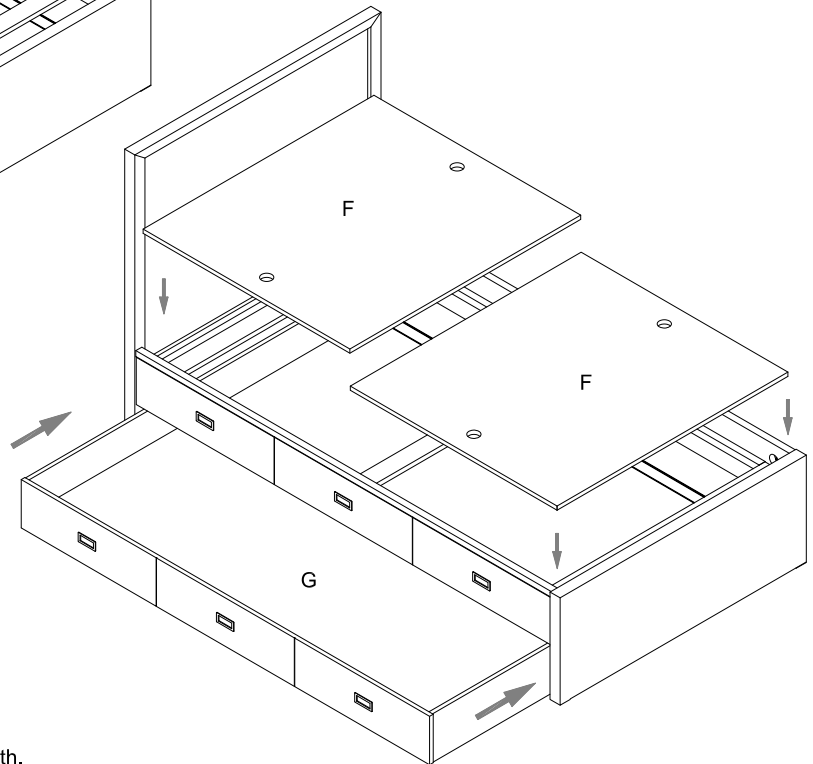
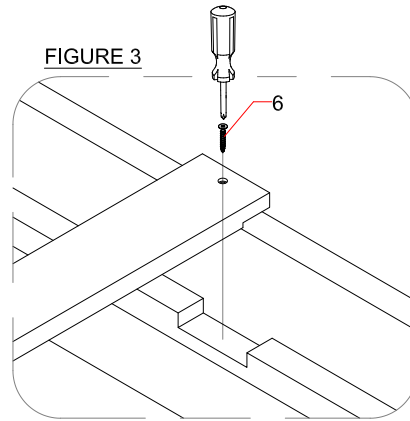
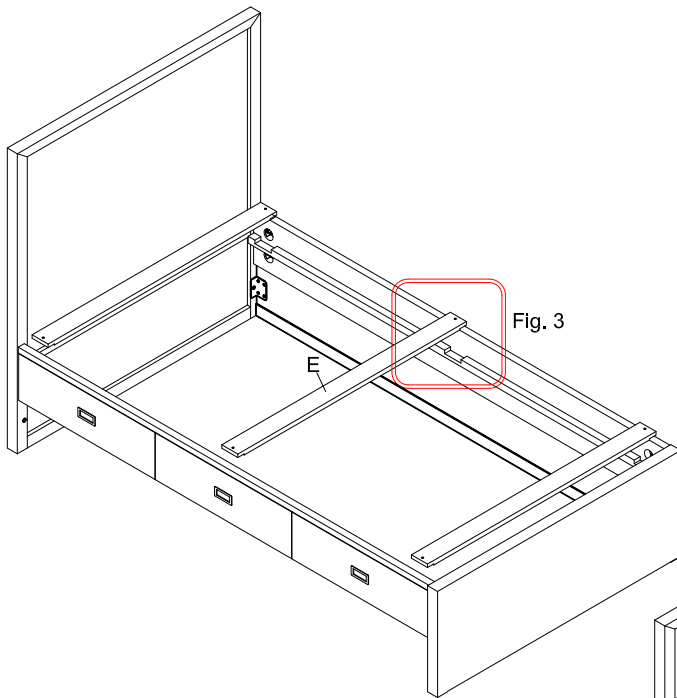
- Place the headboard (A) upright in the position you wish the bed to be in when fully assembled.
- Secure the threaded rod (1) to the fixed nut in the headboard (A) by simply turning it manually.
- Raise the side rail #1 (B) up and place the rod (1) to align with the bore holes on the end of the side rail (B). Put the side rail #1 (B) up against the headboard (A) so the threaded rods (1) go through the bore holes. Insert curved washer (2), lock washer (3) and place hex nuts (4) on threaded rod (1) then tighten the hex nuts (4) with wrench (5), as illustrated in FIGURE 1.
- Repeat step #3 for the Side rail #2 (C). Then, insert Allen bolt (7), lock washer (3), flat washer (8) as illustrated in FIGURE 2.
- Repeat to connect side rail #1 (B) and side rail #2 (C) to the footboard (D).



# RHTEEN

## AVALON TWIN AND FULL TRUNDLE BED INSTRUCTIONS

5. Set the bed slats (E) on both side rails. Use screws (6) provided to fix the bed slats to the pre-installed support rails on the side rails. See FIGURE 3.
6. Place the cover panels (F) on the bed slats. Insert the trundle (G) to the bed bottom storage.
7. Assembly is complete.



### CARE INSTRUCTIONS

1. Dust often using a clean, soft, dry and lint-free cloth.
2. Blot spills immediately and wipe with a clean, damp, cloth.
3. We do not recommend the use of chemical cleansers, abrasives or furniture polish on our lacquered finish.

### IMPORTANT SAFETY INSTRUCTIONS

1. Please read all instructions carefully before assembling.
2. For your safety, assembly by two or more adults is strongly recommended.
3. Keep instructions for future use.
4. Use only vendor supplied hardware to assemble. Using unauthorized hardware could jeopardize the structural integrity of the item.